



EH1230

8500BTU/h Class A

Portable Air Conditioner

- 2 cooling and 2 fan speed settings
- 24-hour timer
- Built-in Dehumidification function
- Adjustable louvre
- Easy to install - no external unit required.

IMPORTANT

Installer and Users please note:

These instructions should be read carefully and left with the user of the product for future reference.

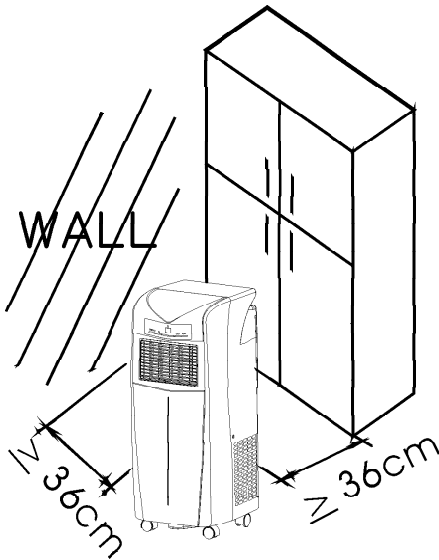
BEFORE USE

You must inspect the product including its cable and plug for any signs of damage. If the product is damaged, DO NOT use it, and contact your supplier immediately.

PRODUCT SAFETY

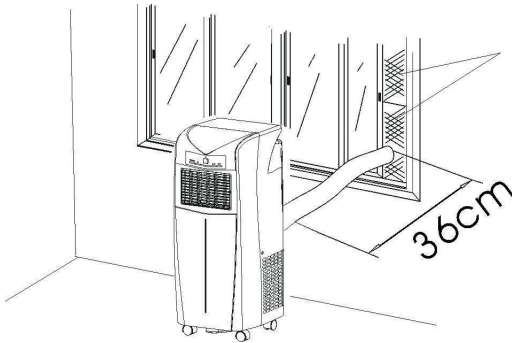
- This appliance can be used by children aged from 8 years and above and persons with reduced physical, sensory or mental capabilities or lack of experience and knowledge if they have been given supervision or instruction concerning use of the appliance in a safe way and understand the hazards involved.
- Children should be supervised to ensure that they do not play with the appliance.
- Cleaning and user maintenance shall not be made by children without supervision.
- Place the EH1230 on a firm flat surface. Ensure that the air outlet is not obstructed.
- Do not place on soft surfaces.
- Do not move the appliance whilst it is operating.
- For indoor use only.
- Do not use in bathrooms, or in wet or damp locations.
- Do not place the mains lead beneath a carpet or rug.
- Do not clean the water tank with detergents or bleach
- Do not place the appliance in direct sunlight, or close to a source of heat.
- Do not leave water in the tank if the appliance is not in use (this encourages the growth of bacteria)
- Do not allow the appliance to tip over whilst there is water in the tank.
- Do not allow the cable to hang over the edge of a table.
- Arrange the cable so that it cannot cause a trip hazard.

INSTALLATION



Install the EH1230 on floor approximately 36cm (14") from a wall. Ensure that the air inlets (on the sides) and the air outlets (on the top) cannot be covered.

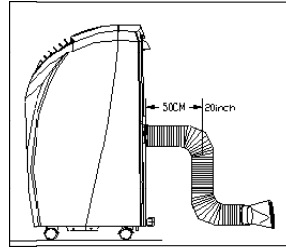
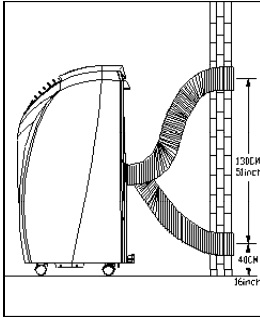
Expand a small section of the exhaust tube, and screw it clockwise



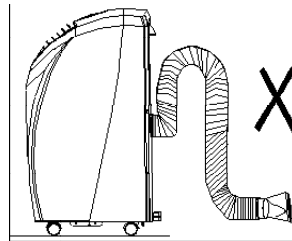
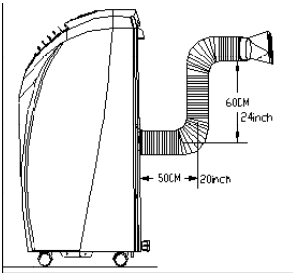
into it the end of the exhaust port of the unit. Place the other end of the exhaust tube into the adaptor and through the nearest open window. Keep the length of the exhaust tube to a minimum. Block the rest of the window opening. This is essential for

efficient cooling.

The correct installation of the exhaust tube is shown below:



If the exhaust tube needs bending, do not bend too sharply, or more than is required.



Do not vent the exhaust tube into a ceiling void. The exhaust air may be very humid and can damage ceiling tiles.

Connect the air conditioner to the nearest 13A mains socket using the built-in cable. Do not connect using an extension lead, unless the extension lead is rated at least 6 Amps, and is fully unwound.

Do not install the air conditioner in a damp environment (such as a laundry room). The air conditioner is for indoor use only.

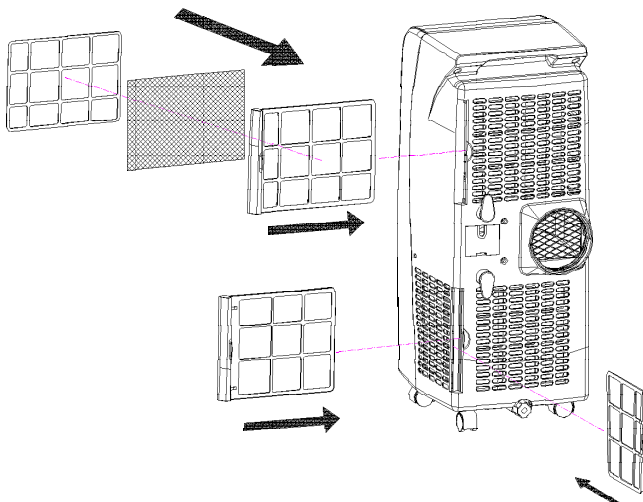
Do not install in direct sunlight (to avoid discolouration of the case).

Do not install close to a source of heat.

The EH1230 is not suitable if the ambient temperature is below 18°C or above 35°C.

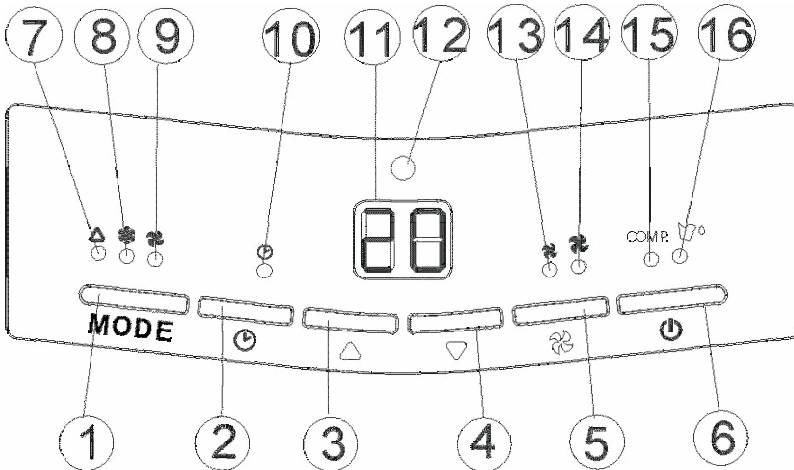
Installing the carbon filter:

1. Remove the filter frame from the unit.
2. Remove the carbon filter from its plastic bag
3. Insert the carbon filter into the back of the unit.
4. Re-fit the filter frame.



OPERATION

Switch the unit on at the mains socket, then press ON/OFF button (6). The unit will then start. The display (11) will show the ambient temperature in degrees Celsius.



The unit will start in the Automatic mode with the triangle symbol (7) illuminated. Press TEMP+ (3) or TEMP- (4) to set the desired room temperature.

If the desired room temperature is below ambient temperature, the unit will automatically select cooling mode and the "snowflake" indicator (8) will be illuminated, and the "COMP" indicator (15) will also illuminate to indicate that the compressor is running. The fan speed will also be selected automatically. The fan speed indicators (13) or (14) will indicate whether slow or fast fan speed is in operation.

If the desired room temperature is above the ambient temperature then no cooling will take place. The fan will run at its slow speed. "Fan only mode" indicator (9) and "slow fan speed" indicator (13) will be illuminated. The "compressor" indicator will not be illuminated. This model will not act as a heater.

Manual Override (fan Only):

Using the MODE switch (1) it is possible to select "fan-only" mode (press the MODE switch until the fan indicator (9) is illuminated on its own).

It is then possible to select the fan speed using the SPEED switch (5). Indicators (13) and (14) show whether slow or fast fan speed is selected.

In this mode no cooling takes place, and the temperature settings have no effect. The display (11) shows the ambient temperature.

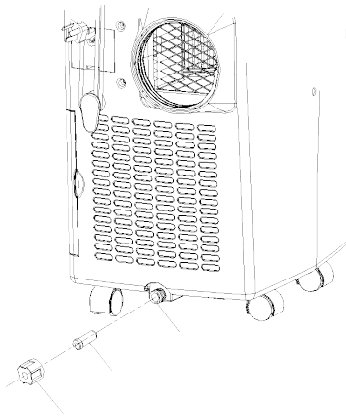
Manual Override (cooling):

Press the mode switch until the "snowflake" indicator (8) is illuminated on its own. Use the UP (3) and DOWN (4) buttons to select the desired temperature. If the desired temperature is below the room temperature then the compressor will run (indicator (15) will light) and cooling will take place.

It is then possible to select the fan speed using the SPEED switch (5). Indicators (13) and (14) show whether slow or fast fan speed is selected.

When the temperature reaches the desired temperature the compressor will switch off, and the fan will continue to run at the selected fan speed.

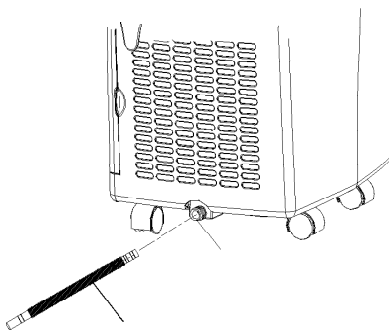
In cooling mode, some water may be collected.



If this happens the water indicator (16) will illuminate and the unit will stop. If this happens, switch off the power and place a tray underneath the unit. Unscrew the drain cover and remove the rubber plug. Collect the water in the tray and pour away.

Dehumidifying:

The EH1230 can be used for dehumidification provided that the ambient temperature is above 19°C. Keep the windows and doors closed to increase the efficiency of the dehumidifying operation.



Do not use the exhaust tube.

Remove the drain cover and rubber bung, and connect a permanent drain tube to the water outlet.

Repeatedly press the MODE button (1), until the "snowflake" indicator (8) illuminates. Select the preferred fan speed using the SPEED switch (5). Indicators (13) and (14) show whether slow or fast fan speed is selected.

In dehumidification mode, cold air will be produced at the front of the unit, and warm air at the back, but the overall room temperature will be unaffected.

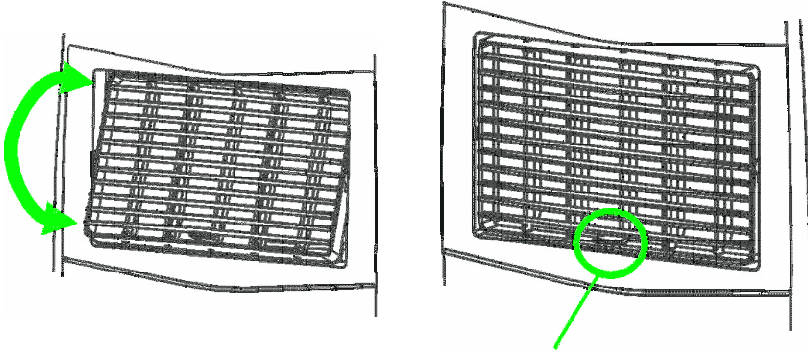
TIMER

The built-in timer can be used to set the unit to run for a certain length of time before automatically switching off.

Press the timer button (2) and set the number of hours of operation using the + and - buttons. The maximum setting is 12 hours. When the timer is in operation, the timer indicator (10) will be illuminated. To cancel the timer, press the timer button (2) again until, the timer indicator (10) goes out.

The unit will then run for the set number of hours then switch off.

REGULATING AIR DIRECTION.



The air vent can be tilted up and down, and moved from side to side using the tab to control the air direction.

Using the remote control.

The remote control has six buttons. These replicate the operations of the buttons on the main unit.

MAINTENANCE

Disconnect the unit from the mains supply before carrying out any maintenance.

Cleaning:

Clean the outer casing with a damp cloth with a little mild detergent such as washing-up liquid. Do not use abrasives, or solvents other than water.

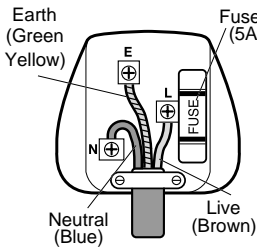
Cleaning the air filter:

Remove the filters from the unit, and remove the accumulated dust using a vacuum cleaner, then rinse in hand-hot water and allow to dry.

Never operate the unit without its filters.

- If the mains lead is damaged, it must be replaced by the manufacturer or an authorised service centre. If the mains plug

needs to be replaced, proceed as follows:



- Connect the brown wire to the terminal labelled "L".
- Connect the blue wire to the terminal labelled "N".
- Connect the green/yellow wire to the terminal labelled with the earth symbol or "E".
- Make sure that the cord-grip is positioned correctly (over the outer sheath of the cable) and it fully tightened.

PAT TESTING.

When used in a workplace, this product must be safety-tested yearly by a qualified electrician (PAT Tested) in order to comply with the Electricity at Work Regulations.

We recommend that it is PAT tested regularly when used in a domestic environment.

GENERAL SAFETY REQUIREMENTS

Domestic wiring must be tested periodically by a qualified electrician at least once every 10 years or at every change of occupancy.

For office and retail premises, and buildings such as village halls, the wiring must be inspected at least once every 5 years.

It is recommended that all building be fitted with smoke alarms (it is mandatory for new buildings).

STORAGE

Before putting the unit into storage remove the bung from the water drain; then operate the unit for half a day in "fan only" mode.

Switch off the unit, and disconnect from the mains supply, wrap the cable neatly, place the unit in a plastic bag and store in a dry place until next required.

FAULT FINDING

• No operation (no LEDs lit on control panel)

Press ON/OFF switch to make sure the unit is switched on.

Check mains supply.

Check fuse in mains plug.

If the "water full" indicator is flashing - empty the water.

• Poor cooling efficiency

Check that the air inlet is not obstructed

Check that the air outlet is not obstructed

Check that the air filters are not dirty

Check that the operating temperature is correctly set.

Increase the fan speed.

Is there something in the room producing a lot of heat?

Shut curtains to reduce solar gain.

• Noise and vibration.

Some noise and vibration is normal.

Check that the unit is placed on a flat, level floor

• Unit starts and stops frequently.

Make sure that the air exhaust tube is installed correctly, and the bends are not too tight.

DISPOSAL AND RECYCLING

You must not dispose of this appliance with domestic household waste.

Most local authorities have specific collection system for appliances and disposal is free of charge to the end-user.

When replacing an existing appliance with a similar new appliance your retailer may take the old appliance for disposal.

TECHNICAL SPECIFICATION

| | |
|---------------------------|----------------------|
| Cooling Capacity | 8500BTU/h 2.7kW |
| Power Supply | 230V ~ 50Hz |
| Power Consumption | 920W |
| Operating Current: | 4.3A |
| Humidity removal capacity | 24 litres/day |
| Airflow: | 300m ³ /h |
| Refrigerant | R410a |
| Refrigerant load | 290g |
| Fan speeds | 2 |
| Timer | 1 to 24 hours |
| Working temperature: | 18°C to 35°C |
| Exhaust pipe diameter: | 130mm |
| Exhaust pipe length: | 1.8m |
| Net weight: | 23kg |
| Gross weight: | 32kg |
| Dimensions: | 305 × 380 × 750mm |

SERVICE WARRANTY

Prem-i-Air guarantees the product free from defects in materials and workmanship for a period of one year.

Should this unit be operated under conditions other than those recommended, at voltages other than the voltage indicated on the unit, or any attempts made to service or modify the unit, then the warranty will be rendered void.

The product you buy may sometimes differ slightly from illustrations. This warranty is in addition to, and does not affect, your statutory rights.

If you have any problems with this product, please call our Help Desk on (0845) 459 4816.

Prem-i-Air Appliances Ltd.,
Lancots Lane,
Sutton,
St. Helens,
Merseyside.
WA9 3EX

website: www.prem-i-air.com