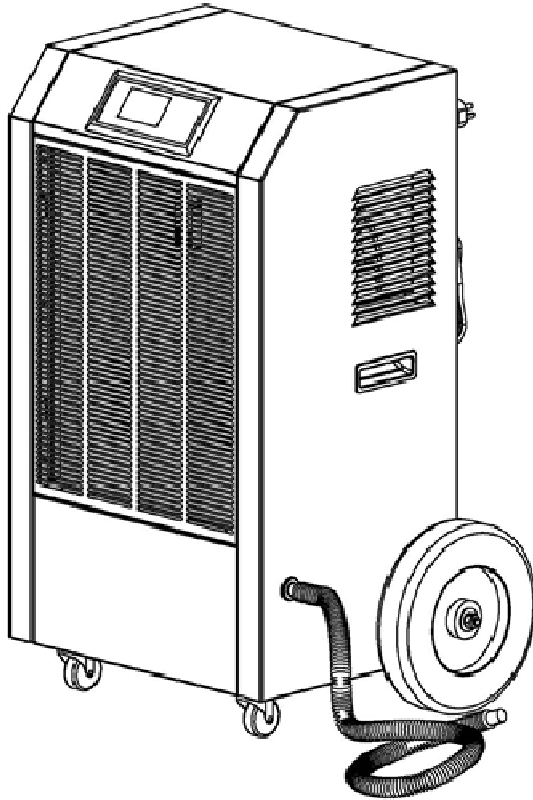




**ACD90L 90 l / day Commercial Dehumidifier
with digital Humidistat
USER MANUAL**



**Thank you for choosing Amcor
Please read this user manual before using this innovative
Commercial Dehumidifier
and keep it safe for future reference.**

Visit our page www.amcoruk.com for our entire range of Air Treatment products

Contents

Safety Instructions	2
Parts	5
Control Panel	6
Quick reference guide	6
Operation	7
Positioning	10
Water Drainage	11
Care and Maintenance	13
Troubleshooting	15
Technical Data	17

SAFETY INSTRUCTIONS

- Carefully read the instructions before operating the unit. If used on commercial premises the site manager should ensure that the operator has access to the user manual and understands the operation of the unit
- This appliance is for indoor use only and intended for use in a commercial or domestic environment only. Any other use is not recommended by the manufacturer and may cause fire, electrical shocks or other injury to operator or property.
- Rating: This unit must be only connected to a 220-240 V / 50 Hz earthed outlet. Always operate the unit with the grounding plug supplied. A grounding plug is a safety feature that helps reduce the risk of shock or fire.
- If you are in any doubt about the suitability of your electrical supply have it checked and, if necessary, modified by a qualified electrician.
- This dehumidifier has been tested and is safe to use. However, as with any electrical appliance - use it with care. This unit is a commercial / industrial dehumidifier and was not designed with children in mind. Do not allow children to play with or around this commercial dehumidifier, this could result in injury. Make sure the unit is not accessible to children either in use or not.
- Installation must be in accordance with regulations of the country where the unit is used.
- Disconnect the power plug from socket before dismantling, assembling or cleaning.
- Never connect the unit to an electrical outlet using an extension cord. If a power outlet is not available, one should be installed by a qualified electrician. Using extensions will lead to reduction of voltage supplied to the unit and overheating of the electrical cable at can only be done to customer risk
- Never operate this appliance if the cord, power adapter or plug is damaged. Ensure the power cord is not stretched or exposed to sharp object/edges.
- A damaged power supply cord should be replaced by the manufacturer or a qualified electrician in order to avoid a hazard.
- Avoid mishandling the dehumidifier. Dropping, throwing the unit can cause damage to its internals and increases the risks of operating it.
- This dehumidifier must not be used in spaces where there is a high concentration of gases, solvent or other volatile organic compounds; in very dusty environment; in any commercial or industrial environment where air composition is flammable.
- Avoid touching any moving parts of the appliance. Never insert fingers, pencils or any other objects though the guard
- This appliance is not intended for use by operators (including children) with reduced physical, sensory or mental capabilities. It is also not intended for use by those with a lack of experience and knowledge, unless they have been given supervision or instruction concerning the use of the appliance by a person responsible for their safety.

- Do not operate the dehumidifier in pooled or standing water, as this may create a risk of injury from electrical shock. If the case or the inside of the unit become wet dry the unit before restarting it. If fails to operate discontinue use and call the service centre.
- Do not clean the unit by spraying it or immersing it in water.
- Any service other than regular cleaning or filter replacement should be performed by an authorized service representative. Failure to comply could result in a voided warranty.
- Do not use the appliance for any other purposes than its intended use.
- Do not tilt the unit while in use. The unit is design to work only in vertical position. Always operate the unit on a stable, level surface e.g. solid floor, so that the dehumidifier cannot fall and cause accident.
- This dehumidifier must always be stored upright, otherwise irreparable damage may be caused to its compressor.
- Rest for minimum 8 hours after been transported in horizontal position. Avoid restarting the dehumidifier unit unless 5 minutes have passed since being turned off.
- Never use the mains plug as a switch to start and turn off the dehumidifier. Use the provided ON/OFF switch located on the control panel.
- Always place the unit on a dry and stable surface.
- The appliance should not be installed in laundry or wet rooms where the humidity is higher than 85% RH. Operate this unit in an ambient temperature between 5°C and 40°C.
- Avoid any water ingress into dehumidifier. Make sure no dust or wet building materials are entering the unit.
- Do not place the unit next to heat sources e.g. electric or gas fires, radiators, boilers etc.

Energy Saving and Unit Safety Protection Tips

- Do not cover or restrict the airflow from the outlet or inlet grills.
- For maximum performance the minimum distance from a wall or objects should be 50 cm
- Keep the filters or grills of the unit clean. Under normal conditions, filters or grills should only need cleaning once every two weeks (approximately). Do not use the unit without the air filter as this will allow dirt to gather inside the dehumidifier and could invalidate the warranty. A dirty filter will restrict the air flow into the machine which will increase the resistance on the fan and could result in damage and might invalidate the warranty.

Since the filters remove airborne particles, more frequent cleaning maybe necessary, depending on the air quality. Vacuum and wash the mesh filters with hot soapy water and dry them before placing them back in the unit. Do not allow grease, oil or any contaminants to be absorbed into dehumidifier.

Features

Your Amcor dehumidifier is a top of the range commercial dehumidifier with features not found in other units

1. Large 90 litres per day max extraction
2. Metal body, ideal for hire or commercial operation
3. Portable on large castors, efficient, easy to use
4. LCD screen with Humidity display
5. Intelligent CPU controlled humidistat with exact settings and power saving logic
6. Auto mode for easy set and forget operation
7. Touch control panel with led indicator
8. Timer on / off settings
9. Permanent drainage with uplift pump included

Installation

Remove any water from the water tank before starting the unit. In order to save energy, do not open windows or doors while the unit is running. Place the unit on a hard / flat surface. On first use run the unit continuously for 24 hrs.

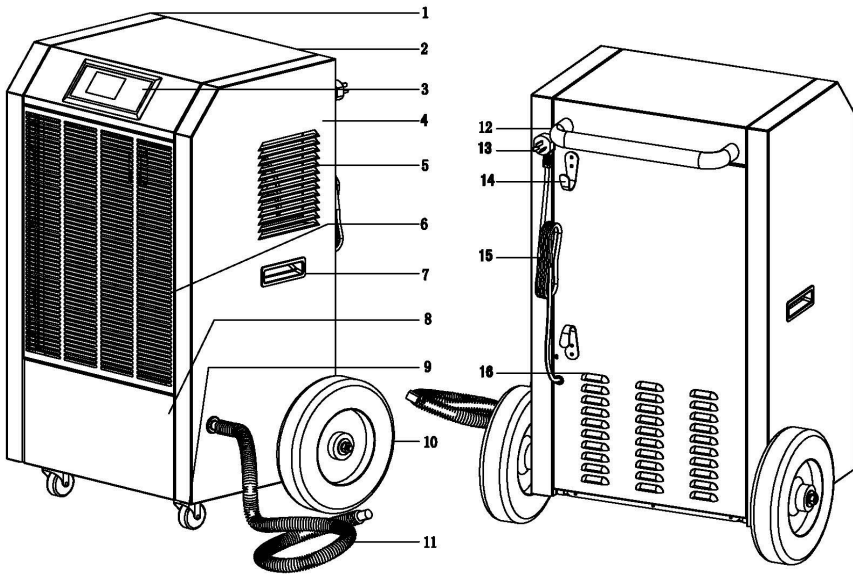
To reduce noise levels:

Place a piece of carpet or a rubber mat under the unit to reduce any vibrations while the unit is running.

Amcor commercial dehumidifiers use compressor technology to extract water from the environment. The Amcor range of commercial dehumidifiers are ideal on ambient temperatures ranging between 5 - 30°C. We recommend using the units at above 10-15°C.

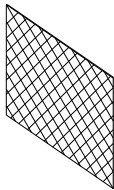
Amcor commercial dehumidifiers are light and easy to move around on large wheels and caring handle. They are also intelligent dehumidifiers which will extract unwanted humidity while saving money due to their humidistat and advanced power saving logic. They features an intelligent humidistat with exact settings and auto mode insuring your room is not dried too much and power is not wasted.

PARTS

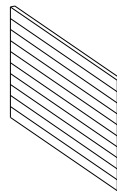


N o.	Name	N o.	Name	N o.	Name	No.	Name
1	Right side panel	5	Outlet grill	9	Small castors with stopper	13	Power plug
2	Top panel	6	Inlet grill	10	Rubber wheels	14	Cable holder
3	Control panel	7	Side handle	11	Drainage pipe	15	Power cord
4	Left side panel	8	Front panel	12	Rear handle	16	Air grill

Optional accessories

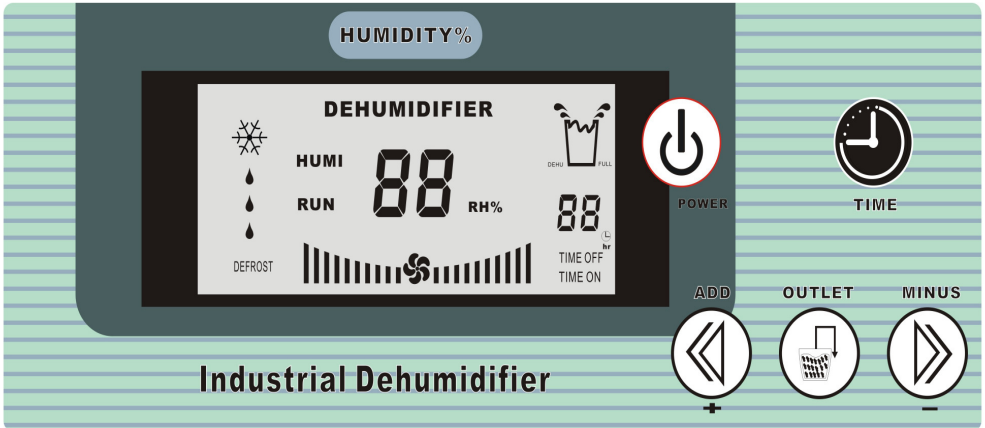


1. Carbon filter (Optional)



2. PU filter (Optional)

CONTROL PANEL



Operating Keys and Quick Guide

Power On / Off Key (beeps twice)

Turns the unit On / Off

Timer Selection Key

Selects the stopping timer or continuous operation

Dehumidification Level +/- Controls Keys

Set the target humidity level set desired humidity with an increment of 5% RH or sets to continuous dehumidification. Keep the +/- button pressed for 2 seconds to advance quicker.

If you press first the **Timer Selection Key** first than humidistat can be setup in conjunction with the timer

Mode Key

AUTO (shows AU on LCD) AUTO dehumidifying

- If ambient temperature $< 5^{\circ}\text{C}$, compressor will not start (compressor protection)
- If ambient temperature between 5°C - 20°C , unit will work with RH60% preset
- If ambient temperature between 20°C - 27°C , unit will work with RH55% preset
- If ambient temperature $> 27^{\circ}\text{C}$, unit will work with RH50% preset

Continuous dehumidifying— (LCD shows CO) unit work without humidity control

Standard dehumidifying— unit work as standard following the humidity setting

Auto defrosting function in low ambient temperature

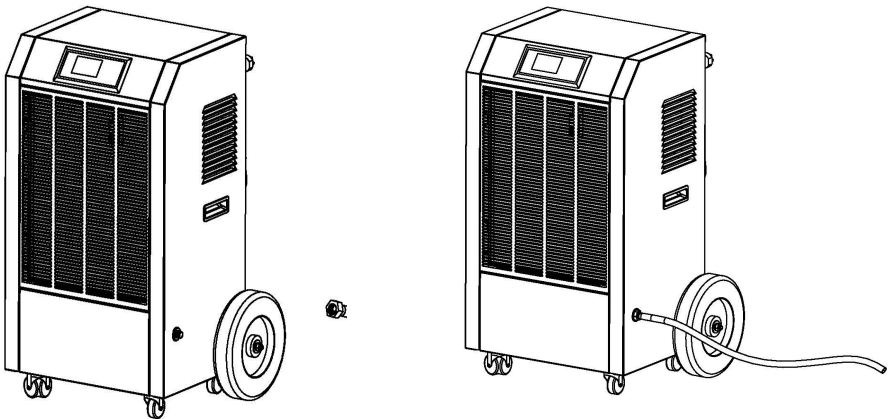
When the unit is running in a room with temperature between 5°C and 12°C, it will be stop to defrost for every 30 minutes

When the unit is running in a room temp between 12°C and 20°C, it will be stop to defrost for every 45 minutes

Operational Advice

1. Take out the unit from the box, if required keep the packaging material to repackage the unit for storage. Connect the pipe to the drainage port tightly

Note: make sure the correct connection is used with the rubber sealed pipe, avoiding leakage problem)



2. Plug to power, press ON/OFF key to turn-on the machine; press ON/OFF key again to turn-off the dehumidifier. The LCD display will show ambient humidity
3. After being turned off the machine will remember the last settings for the next power cycle.

4. When unplugging from the wall socket use one hand to hold the plug and the other hand against socket to avoid power cord damage.

Warning: Using poor quality sockets, extensions or overloading the circuits may cause damage to the machine or may start a fire.

5. When switching OFF the machine, do not simply unplug the unit from the socket - ensure you turn off the machine properly before unplugging. After dehumidifiers is OFF, the fan will keep running for a couple of minutes and heat will be produced to dry the dehumidifier

Humidity control

When room humidity is higher than set humidity by 3%, Fan and compressor will start dehumidifying. When room humidity is lower than the user setting by 3% fan and compressor will stop. Humidity display/ settings range: 20%-95%

Timer control

Stopping timer

On power on mode adjust the stopping timer using + / - key to select the number of hours after the unit will stop

Start timer

On power on mode adjust the start timer using + / - key to select the number of hours after the unit will start. Then turn off the unit.

The dehumidifier will restart after the set time.

Auto-restart

For models with memory function, the dehumidifier will restart in the same operation mode as before power off state.

Protection and Diagnosis

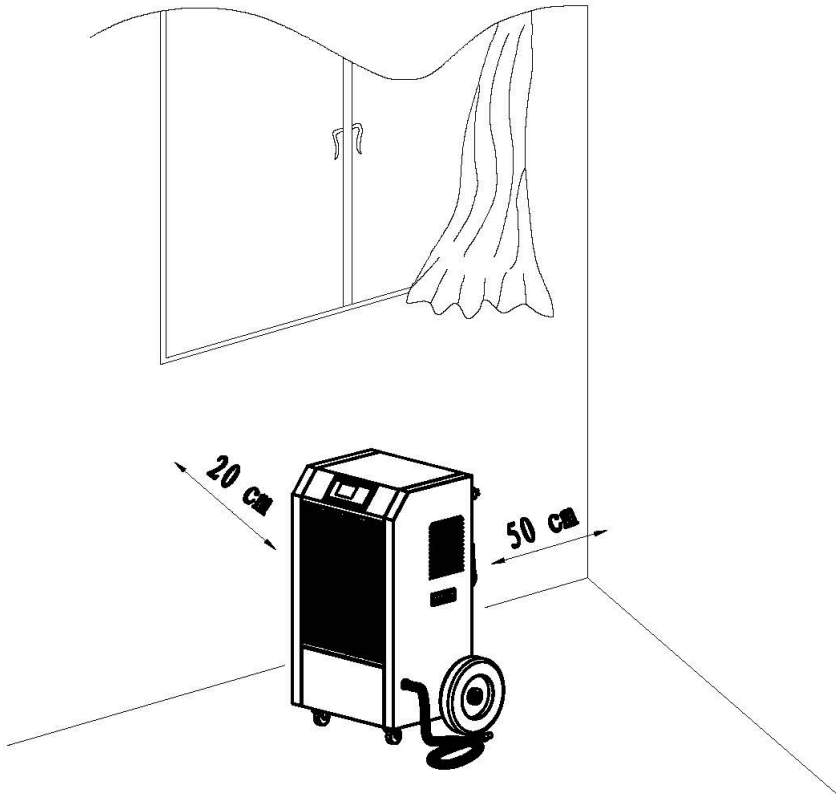
After working for 30 minutes if the compressor coil sensor reach -1°C , unit will stop to defrost. This is normal operation.

If the detected temperature exceed the operation range, unit will indicate E1 error code which is temperature sensor fault. In such a mode unit will be with dehumidifying 30 minutes and defrosting for 15 minutes. This is normal operation and will recover as soon the temperature will change.

If the detected humidity exceed the operation range, the dehumidifier will indicate E2 humidity sensor error. Unit will work trying to dehumidify continuously.

After the temperature and humidity fails back within main operating range unit will start operating again.

Positioning the dehumidifier



Badly positioned dehumidifiers will have little effect in effectively drying the place. In positioning the dehumidifier please ensure circulation of air is not restricted around the unit. Please observe figure below in installing the unit.

Your AMCOR dehumidifier will begin to protect your space from the harmful effects of excessive moisture as soon as it is turned on.

Excess moisture travels throughout your place, in the same way that cooking smells spread around the house. For this reason, the dehumidifier should be positioned in a central and clear location so that it can draw this moist air towards it from all over the place. A warmer spot is an excellent position for your dehumidifier. If possible, leave interior doors ajar to allow air circulation. Alternatively, if you have a serious problem in one area you can begin by positioning the dehumidifier there and moving it to a more central location at a

later date. Please note the unit should not be placed directly against a radiator or other heat source.

When positioning your AMCOR dehumidifier, ensure that it is placed securely on a level surface clear of any obstacle that may limit the air movement.

This dehumidifier is designed only for indoor residential / office and commercial / industrial applications.

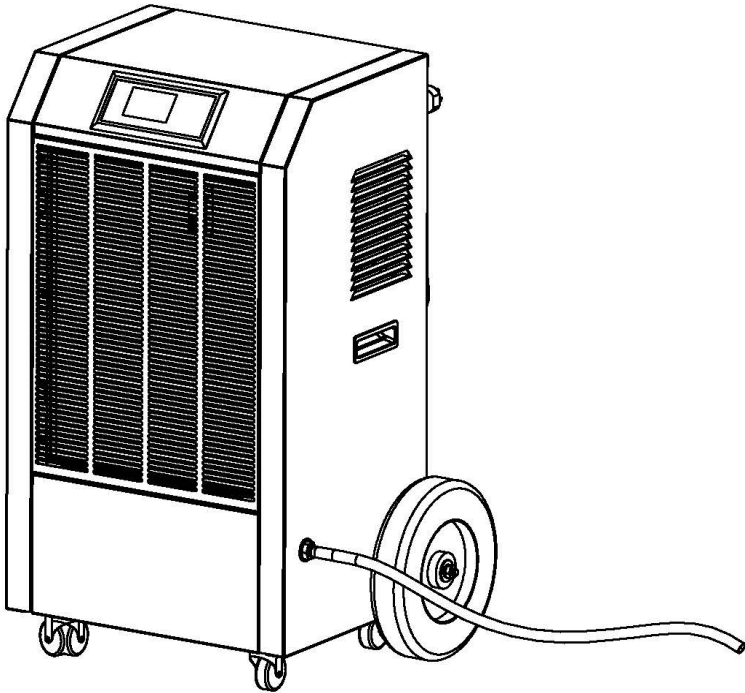
Place the dehumidifier on a flat dry surface.

The dehumidifier must be operated in an enclosed area to be most effective.

Close all doors, windows to create the best operating environment.

Do not use outdoors.

Water Drainage



This unit was designed to extract a very large amount of water while being compact and portable.

Continuous draining

This dehumidifier has a continuous drain hole that can be connected with a plastic pipe. The water in the body will drain through the drain hole.

Water can be automatically plumbed in or drained into sink, a larger external tank or bucket or through the wall into an outside drain by attaching a pipe to the unit. A standard pipe is supplied with the unit.

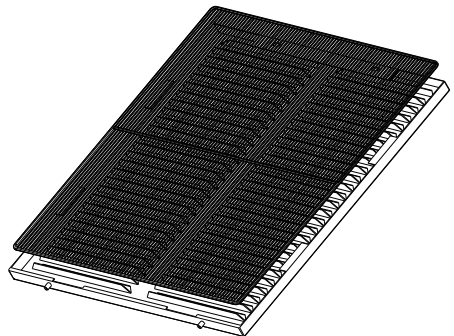
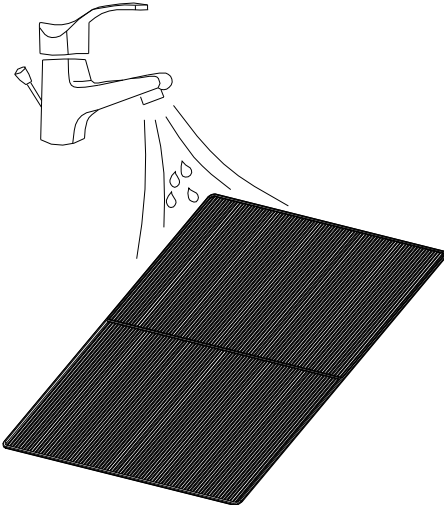
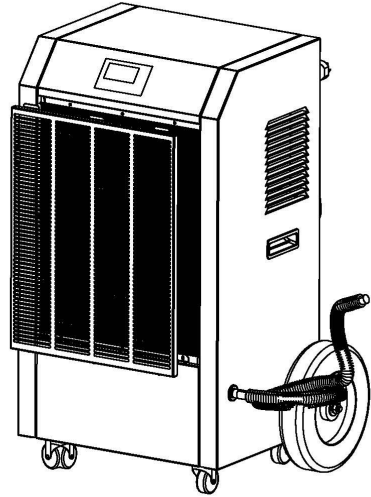
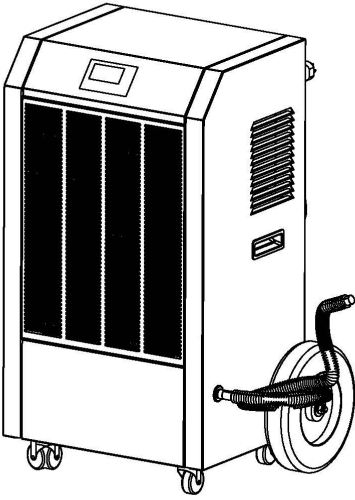
Insert the pipe into the drain outlet at the back of the unit. Make sure the connection between pipe and the drain outlet is tight and do not leak. Then direct the pipe to a suitable drainage point. This unit uses gravity fall to dispose water hence the drain should be lower than the dehumidifier water outlet.

Be sure to run the water pipe downward and let the water to flow out smoothly. Do not kink or bend the pipe.

NOTE: The permanent drain can be used in conjunction with water pump (e.g. when draining a cellar) to lift the water upwards. Certain models may feature an embedded pump.

Care and Maintenance

Always switch off the unit and unplug from the mains before cleaning or performing any maintenance. When it is not in use for long periods it is advised to remove the plug from the plug socket. Do not use chemical solvents (such as benzene, alcohol or gasoline) as they may cause irreversible damage to the unit.



Filter Cleaning

Air-inlet and air-outlet may gather dust easily, please clean it often with a soft, damp cloth. If the filter is covered by dust, the airflow and the performance of the unit will be affected, it may even cause machine damage. We recommend that you regularly clean the filter. Let the unit dry before reuse.

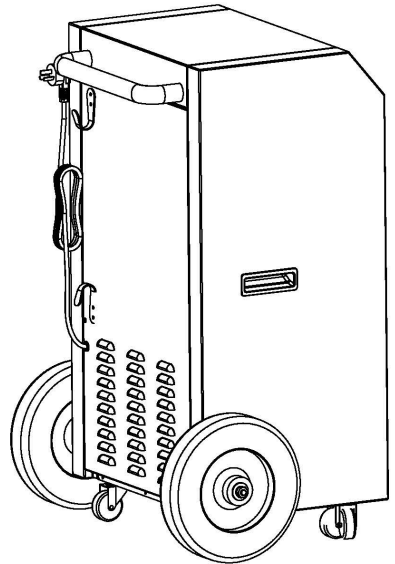
1. Take the air inlet grill out first than remove the filter from the unit.
2. Clean the filter with a vacuum cleaner or soft-brush.
3. Replace the filter in position.

Grille and Case Cleaning

Use water and a mild detergent. Do not use bleach or abrasives. Do not splash water directly onto the main unit. Doing so may cause an electrical shock and can lead to the insulation to deteriorate, or cause the unit to rust. The air intake and outlet grilles get soiled easily, so use a vacuum attachment or soft brush to clean.

Out of season storage

1. Turn off the unit and wait for the drying cycle to finish before unplugging the power cord.
2. Clean and dry the water-tank.
3. Clean the filter, air-inlet, air-outlet and unit body.
4. Coil the power cord in the holder
5. Cover the unit to prevent it from gathering dust.
6. Store the dehumidifier in a cool and dry place.



Power Cord Maintenance and Replacement

If the power cord is damaged, it could cause a short circuit or become a fire risk. Please avoid pulling the cord, twisting or pressing it and keep it away from pets. If the power cord is damaged, power the unit off and unplug if immediately. Contact an electrician for repairs; do not attempt to repair the unit yourself.

Troubleshooting

Issues	Possible Cause	Solution
The unit does not operate	Has the power cord been disconnected?	Plug the power cord into the socket. Plug in the unit also check power at outlet.
	Check if the used voltage is lower or higher than the rated voltage?	Check and make sure rated voltage only to restart the unit.
	Is the room temperature above 40°C or below 5°C? E1 error maybe on LCD	The temperature protection sensor is activated and the unit cannot be started.
The dehumidifying function does not work or no air is discharged	Is the air filter clogged?	Clean the air filter as instructed under cleaning section
	Is the air intake or discharge duct obstructed?	Remove the obstructions
	The ambient air humidity is lower than 50% RH (E2 error may be on LCD)	Below 50%RH the dehumidifier becomes inefficient. It is recommended to switch off the dehumidifier
Operation is noisy	Is the unit tilted or unsteady?	Move the unit to a stable, sturdy location.
	Is the air filter clogged?	Clean the air filter as instructed under cleaning section
	The air filter is soiled	Wash the air filter
	The unit may be wet	Allow more time to dry

Compressor does not start	Compressor overload sensor maybe defective	Contact the service centre
	Running capacitor maybe defective	Contact the service centre
The fan does not spin	The dehumidifier is in defrost cycle	The dehumidifier will switch on the fan automatically after defrost ends. If this fails contact the service centre.
	Fan not running	Contact the service centre
Unit continuously in defrost and you can see an ice block on the evaporator	Defective PCB	Contact the service centre
	The room temperature is to low (E1 may be on LCD)	Assure that the device is only set up in rooms with temperatures above +5°C.
	Defective relay valve	Contact the service centre.
Unit does not defrost	Defective temperature sensor	Contact the service centre.
	Defective control assembly	Contact the service centre.

Note: when the fault cannot be solved by the solutions above, please contact service centre for help, do not attempt repairs.

Technical Data

Model	ACD90L
Rated dehumidifying capacity	90L/Day*
Rated voltage	220V /50Hz
Rated current	5.8A
Rated power consumption	1250W
Max power consumption	1420KW
Max current	6.59 A
Max condensing pressure	3.6 MPa
Max evaporating pressure	0.72MPa
Tested condition	30°C 80RH%
Refrigerant	R410a/800g
Weight	53kg
Gas	R410A
Global Warming Potential (GWP)	1890

The unit cannot be operated when room ambient temperature is lower 5 °C。

*Rated capacity was tested under 30°C RH80% test condition.

Disposal: Do not dispose this product as unsorted waste. Collection of such waste must be handled separately as special treatment is necessary.

Recycling facilities are now available for all customers at which you can deposit your old electrical products. Customers will be able to take any old electrical equipment to participating sites run by their local councils. Please remember that this equipment will be further handled during the recycling process, so please be considerate when depositing your equipment. Please contact the local council for details of your local household waste recycling centres.



All information provided is for reference only. Products specifications may change due to continuous product development.

ACD90LI_K29092014_V2

AMCOR UK SUPPORT

Please, for your own convenience, make these simple checks before calling the service line.

1. Has the unit been standing upright? (for at least 2 hrs)
2. Is the unit plugged into the mains? Is the fuse OK?
3. Switch the unit on and wait three minutes to see if the issue is resolved.
4. Check whether the water tank is full.

If the unit still fails to operate call: 0871 620 1057 or fill the online form

Office hours: 9AM - 5PM Monday to Friday

www.amcoruk.com

Unit 2, The Nursery, Berristow Lane, South Normanton, Derbyshire, DE55 2FX