

electriQ

USER MANUAL



EVAPORATIVE COOLER WITH HUMIDIFIER AC100R

Thank you for choosing electriQ.

Please read this user manual before using this innovative Air Cooler and keep it safe for future reference.

Visit our page www.electriQ.co.uk for our entire range of Intelligent Electricals

CONTENTS

SAFETY INSTRUCTIONS	3
FEATURES	4
OPERATION	4
PARTS LIST	5
INSTALLATION	5
ICE PACK	5
CONTROL PANEL	6
REMOTE CONTROL	6
MAINTENANCE	7
TROUBLESHOOTING	8
APPENDIX	8
TECHNICAL SPECIFICATION	9
MANUFACTURER SUPPORT	9

SAFETY INSTRUCTIONS

Important!

- Carefully read the instructions before operating the unit
- This appliance is for indoor use only.
- Rating: This unit must be only connected to a 220-240 V / 50 Hz earthed outlet.
- Installation must be in accordance with regulations of the country where the unit is used.
- If you are in any doubt about the suitability of your electrical supply have it checked and, if necessary, modified by a qualified electrician.
- This air cooler has been tested and is safe to use. However, as with any electrical appliance - use it with care.
- Disconnect the power from the unit before changing filters, dismantling, assembling or cleaning.
- Avoid touching any moving parts of the appliance.
- Never insert fingers, pencils or any other objects through the guard
- This appliance is not intended for use by persons (including children) with reduced physical, sensory or mental capabilities. It is also not intended for use by those with a lack of experience and knowledge, unless they have been given supervision or instruction concerning the use of the appliance by a person responsible for their safety.
- Do not leave children unsupervised with this appliance.
- Do not clean the unit by spraying it or immersing it in water.
- Never connect the unit to an electrical outlet using an extension cord. If an outlet is not available, one should be installed by a qualified electrician.
- Never operate this appliance if the cord or plug is damaged. Ensure the power cord is not stretched or exposed to sharp object/edges.
- A damaged supply cord should be replaced by the manufacturer or a qualified electrician in order to avoid a hazard.
- Any service other than regular cleaning or filter replacement should be performed by an authorized service representative. Failure to comply could result in a voided warranty.
- Do not use the appliance for any purpose other than its intended use.
- Never use the mains plug as a switch to start and turn off the air unit. Use the provided ON/OFF button located on the control panel.
- Always place the unit on a dry and stable surface. Do not move or tilt the unit while the water tank is full.
- The appliance should not be installed in laundry or wet rooms
- Do not use this unit in environments with flammable or explosive gases.
- Avoid keeping the unit in direct sunlight for a long period of time

Energy Saving and Unit Safety Protection Tips

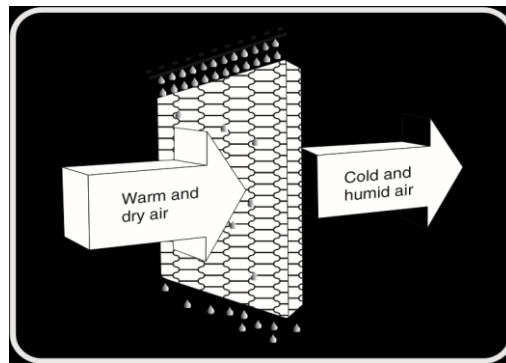
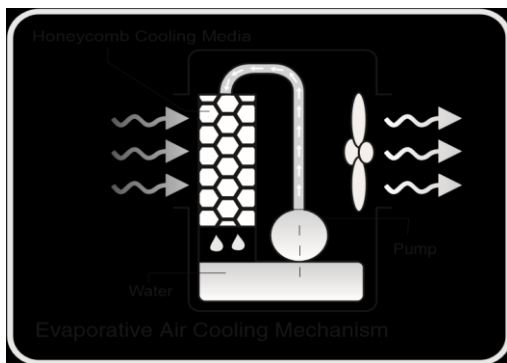
- Do not cover or restrict the airflow from the outlet or inlet grills.
- For maximum performance the minimum distance from a wall or objects should be 50cm.
- Please make sure, while in operation, the water in the water tank does not exceed the **MAX** level and does not fall below **MIN**.
- Keep the filters clean. Under normal conditions, filters should only need cleaning once every three weeks (approximately). Since the filters remove airborne particles, more frequent cleaning maybe necessary, depending on the air quality.
- In order to achieve maximum efficiency please place the unit near an open door or window. Evaporative Air Coolers work with an evaporative cooling mechanism which requires cross ventilation.
- This unit will lose efficiency if the relative humidity in the room exceeds 60%
- The ambient operating temperature range is from 5°C to 40°C.
If used in low temperatures (as a humidifier) it is recommended to fill the water tank with warm (but not hot) water.

FEATURES

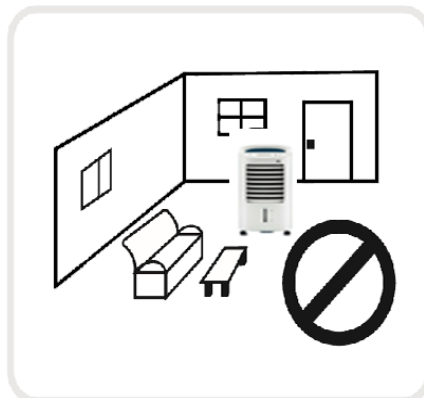
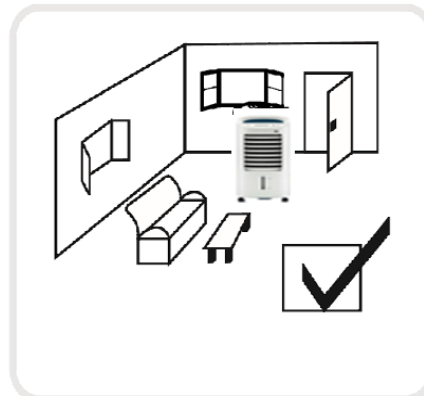
- Spot cooling and humidifier
- Low power consumption and no need for venting
- Ideal for shop floors or rooms which cannot be sealed or traditionally air conditioned
- 3 fan speeds and oscillation setting for improved air flow
- Directional louvres to create a cooling spot
- Easy to use controls
- Large 5.5 litre water tank and cooling pads
- Honeycomb Filter for improved cooling and air cleaning

OPERATION

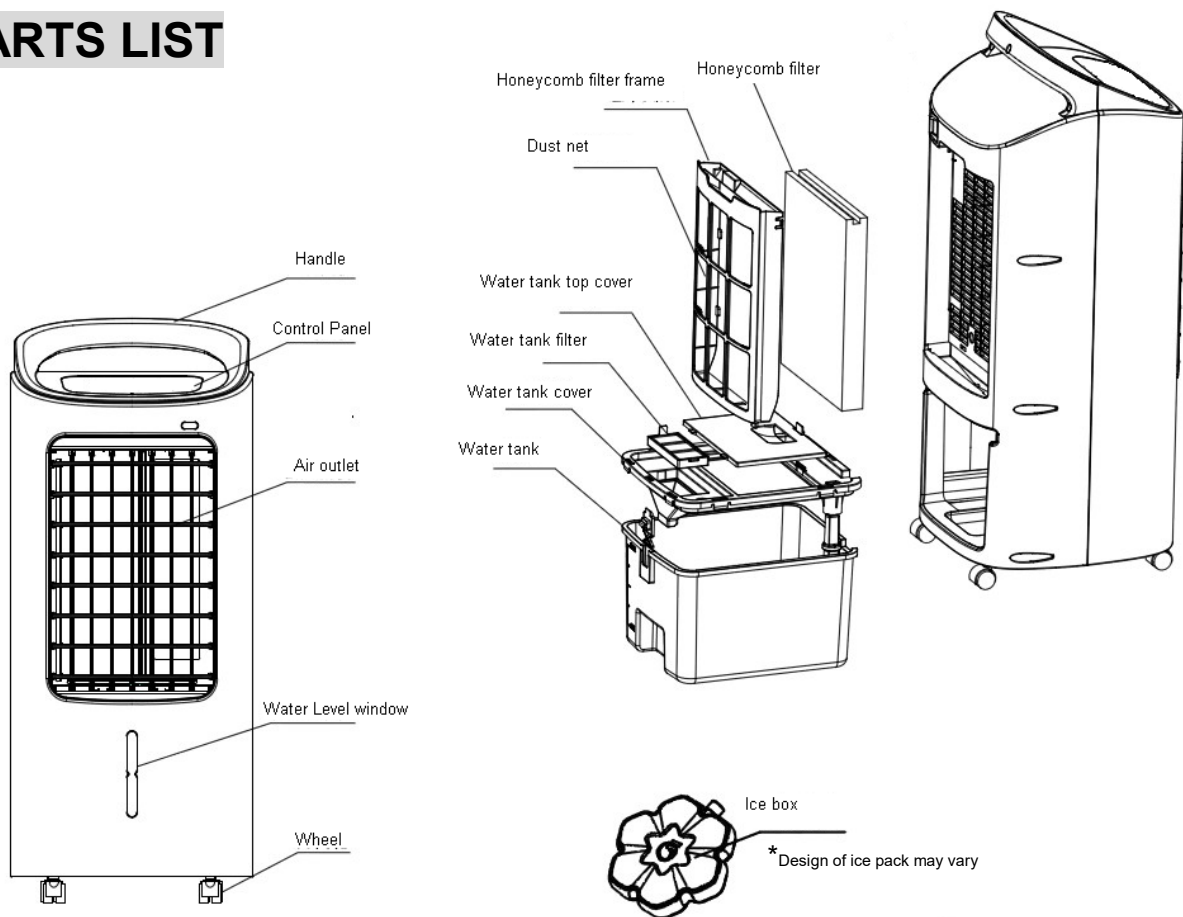
The air cooler cools the air by means of evaporation. When water evaporates into the air, the result is a mixture of air and water molecules. This chemical change requires heat which is taken from the water molecules, resulting in a spot cooling effect.



- The recommended relative humidity for optimum operation is 60% or lower. A drier climate makes for more noticeable cooling.
- The evaporative air cooler should not be used in enclosed or sealed spaces. It must be kept level and there must always be water in the water tank. Doors and windows should be open to allow free air flow. The evaporative air cooler works best when placed near an open window/air current.
- The evaporative air cooler can also be used to humidify dry environments (during cool weather). To be used for humidification the windows and doors should be closed to allow the humidified air to accumulate. The evaporative air cooler is not an air conditioner as it does not use a compressor or refrigerant. It should not be expected to cool as efficiently as a refrigerated air conditioner.
- When the product is used for the first time the Honeycomb cooling media will have an odour, this should dissipate within a week of use.



PARTS LIST



INSTALLATION

This unit can easily be moved from one room to another. While moving the unit please note that it must always be kept upright and then placed on an even surface.

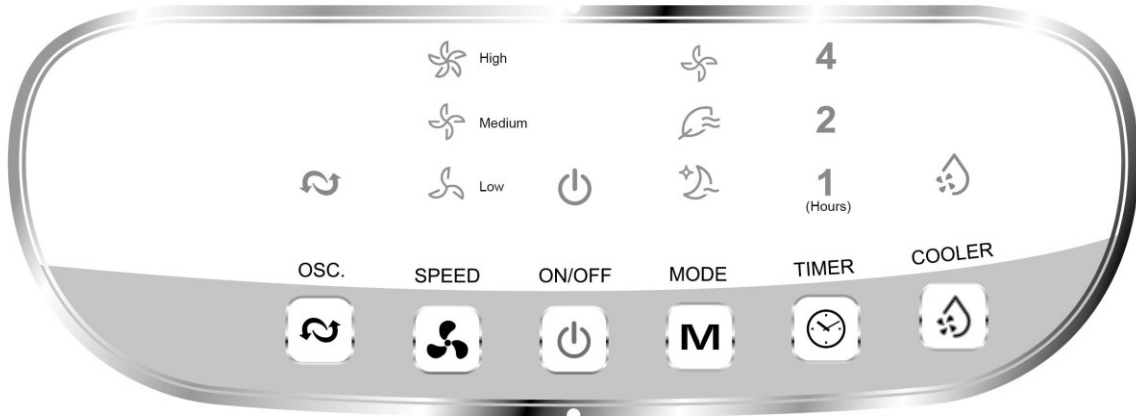
- Remove any packaging - keep the air cooler in a vertical position.
 - Make sure all parts are present and unit is assembled correctly - including the castor wheels (these need to be pushed into place on the base of the unit)
 - Water tank: when filling the tank ensure not to fill above the **MAX** level.
 - When humidifying, the water level must not be lower than the **MIN** water line.
 - If you want to increase the cooling effect, you can put ice or the charged ice packs into the water tank, but be sure that by adding ice or icepacks the water level does not go over the **MAX** limit. Empty some water before adding the ice packs if necessary.
 - Make sure filter pad is properly inserted at the back of the unit
 - Connect the power plug to a working socket, and then press the power button.
- Note:** If you want to clean the tank wait until unit has been powered-off for 2 minutes.

ICE PACK

The ice pack slowly absorbs heat from the water in the tank to reduce the temperature of the water. This will help reduce the temperature of the air blowing out of the cooler. Place the ice pack in the freezer until it is completely frozen before placing it into the water tank. Ice cubes could also be used as an alternative source of cooling.

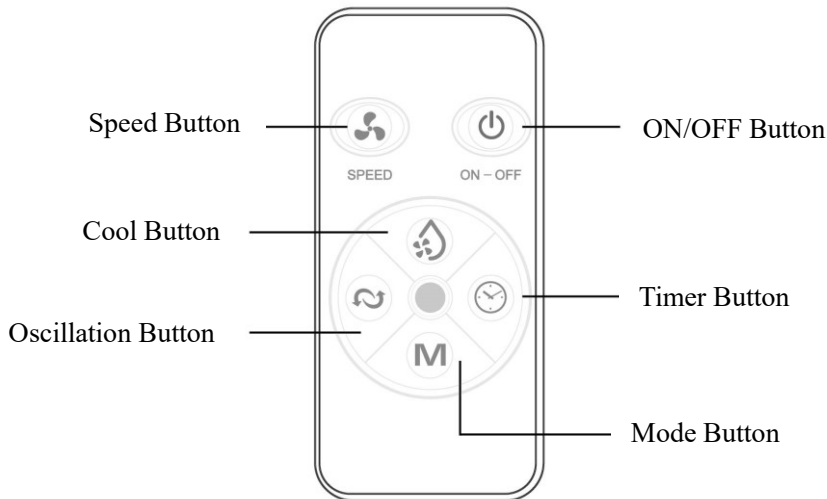
- NOTE:
1. The Ice Pack is reusable, do not attempt to open or drain.
 2. Do not consume the contents of the Ice Pack.

CONTROL PANEL



1. **ON / OFF:** Press this button to turn the air cooler on and off.
2. **SPEED:** Press to select the desired fan speed between Low, Medium and High
3. **OSC:** Press this button to start the oscillation function (Left to right movement of inner louvres). Press it again to turn off oscillation.
4. **COOLER:** Press this button to turn on the humidifying function to cool the air. Press it again to switch it off. If the water level is too low, the unit will bleep, please add water and reinsert the water tank.
5. **TIMER:** Repeatedly press to select the number of hours the unit will run (upto 7 hours) before entering standby mode. The duration of the timer set is the sum of the times illuminated.
6. **MODE:** Choose the Fan mode between the following options
 - a. **NORMAL:** The fan will run at a constant speed
 - b. **NATURAL:** The fan speed will vary to imitate a natural breeze (Fan speed cannot be changed)
 - c. **NIGHT:** The fan will run at its lowest setting to minimize noise. (Fan speed cannot be changed)

Remote Control



The controlling distance of the remote control is about 3-6 meters. Its operating angle is 30-45 degrees. Keep the remote control in a safe place. The remote takes 1.x CR2032 which can be accessed by removing the battery tray at the bottom of the remote.

The buttons on the remote allow the same changes to the settings as the control panel.

MAINTENANCE

CLEANING

ATTENTION: Please shut off the unit and unplug from the mains before cleaning or performing any maintenance.

CLEANING THE SURFACE

Clean the plastic housing with a duster or a soft wet cloth.

Do not use chemical solvents (such as benzene, alcohol or gasoline) as they may cause irreversible damage. Make sure no water enters the control panel.

CLEANING THE WATER TANK

Unplug the power cord, remove the honeycomb filter bracket and then remove the water tank cover. With a cloth (dipped in a mild detergent), wipe the water tank then rinse it with water.

Draining the water reservoir and refilling with fresh water at least once a week will help reduce any mineral deposits and keep the filters clean.

Do not run the unit in cooling mode with stale water in the tank.

We recommend emptying the tank and refilling it with fresh water if water has been standing in the tank for an extended period of time.

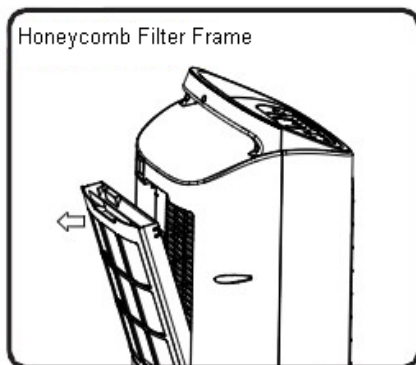
MAINTAINING AND CHANGING THE HONEYCOMB FILTER PADS

The appliance is supplied with Honeycomb cooling / filters pads. The cleaning frequency for the Honeycomb filter depends on local air and water conditions. In areas where the mineral content of the water is high (hard water), mineral deposits may build up on the honeycomb cooling filter and restrict air flow. If mineral deposits remain on the Honeycomb pads, the filter should be removed and washed under fresh water. We recommend cleaning the honeycomb filter at least every two months, depending on your needs.

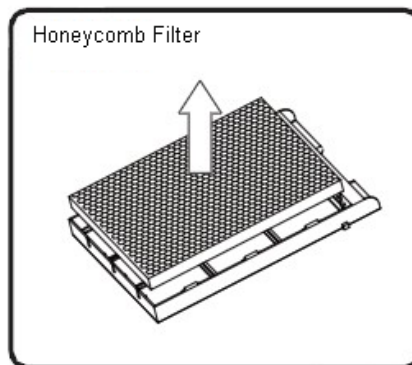
For best results, allow the honeycomb filter to dry after each use by turning off the cooling function for 15 minutes (with empty water tank) before turning the unit off.

Unplug the power cord, then remove the honeycomb filter frame. Take the honeycomb filter out of the bracket.

With a mild detergent and a soft brush, scrub the honeycomb filter, clean with water and dry



Picture 1



Picture 2

END OF SEASON MAINTENANCE:

1. Empty the tank and wash it with warm soapy water.
2. Dry the tank before placing it back in the unit
3. Clean the Honeycomb pads
4. Store the Icepack in the water tank
5. Cover the unit and keep it in a dry place.

TROUBLESHOOTING

Do not repair or disassemble the unit by yourself, unauthorized repair attempts will invalidate the warranty and may cause bodily harm.

Issue	Possible Reason	Solution
No power	<ol style="list-style-type: none"> 1. Power cord is disconnected 2. Honeycomb filter support is not installed correct 3. The mains switch is not turned on. 4. The power button is not pressed. 	<ol style="list-style-type: none"> 1. Connect the power cord 2. Install the honeycomb filter correctly. 3. Turn on the mains switch 4. Press the power button.
No dust elimination	<ol style="list-style-type: none"> 1. The honeycomb filter is blocked. 2. The air inlet is blocked 	<ol style="list-style-type: none"> 1. Remove the honeycomb filter and clean it. 2. Remove the obstruction
Water tank does not move	The pump supporter is loosened and blocks the water tank.	Reset the pump supporter.
Odour emission from unit	<ol style="list-style-type: none"> 1. New unit. When the unit is used for the first time, the Honeycomb cooling media will have an odour, which will dissipate within a week of use 2. Honeycomb filter may have developed mold or bacterial growth 	<ol style="list-style-type: none"> 1. No action required 2. Clean the filter pads with mild antibacterial solution. Dry before use.
Unit emitting a Bleeping Noise	<ol style="list-style-type: none"> 1. Water tank low in cooling mode 2. Water tank incorrectly inserted 	<ol style="list-style-type: none"> 1. Refill Water tank 2. Remove and reinsert water tank correctly.

If the above solutions do not resolve the problem please contact the service centre.

APPENDIX



Disposal: Do not dispose this product as unsorted municipal waste. Collection of such waste must be handled separately as special treatment is necessary.

Recycling facilities are now available for all customers at which you can deposit your old electrical products. Customers will be able to take any old electrical equipment to participating civic amenity sites run by their local councils. Please remember that this equipment will be further handled during the recycling process, so please be considerate when depositing your equipment. Please contact the local council for details of your local household waste recycling centres.

TECHNICAL DATA:

AC100R-V2	Evaporative Air Cooler and Humidifier
Water Tank	5.5 litres
Rated Input	58 Watt
Running Current	0.3 Amps
Air Flow	300 m3/hr
Noise	Max 62db
Power Supply	220~240//50Hz
Net Weight	6.1 kgs
Size	304x297x765mm

electriQ UK SUPPORT

www.electriQ.co.uk/support

Please, for your own convenience, make these simple checks before calling the service line.
If the unit still fails to operate call: 0871 620 1057 or complete the online form

1. Is the unit plugged into the mains?
2. Is the fuse OK?
3. Switch the unit off and wait three minutes to see if the issue is resolved. Restart the unit.

Office hours: 9AM - 5PM Monday to Friday

www.electriQ.co.uk
Unit J6, Lowfields Business Park
Lowfields Way, Elland
West Yorkshire
HX5 9DA