

# electriciQ

## USER MANUAL



### **12,000 BTU PORTABLE AIR CONDITIONER P12CE-V2**

**Thank you for choosing electriciQ  
Please read this user manual before using this innovative Air Conditioner and  
keep it safe for future reference.  
Visit our page [www.electriQ.co.uk](http://www.electriQ.co.uk) for our entire range of Intelligent Electricals**

# CONTENTS

<b>SAFETY INSTRUCTIONS</b>	<b>3</b>
<b>FEATURES</b>	<b>5</b>
<b>DIAGRAM AND ACCESSORIES</b>	<b>6</b>
<b>INSTALLATION</b>	<b>7</b>
<b>OPERATION</b>	<b>9</b>
<b>REMOTE CONTROL</b>	<b>11</b>
<b>WATER-DRAINAGE</b>	<b>11</b>
<b>MAINTENANCE</b>	<b>12</b>
<b>TROUBLESHOOTING</b>	<b>13</b>
<b>TECHNICAL DATA</b>	<b>14</b>
<b>SUPPORT</b>	<b>15</b>

## SAFETY INSTRUCTIONS

### Important!

- Carefully read the instructions before operating the unit
- This appliance is for indoor use only.
- Rating: This unit must be only connected to a 220-240 V / 50 Hz earthed outlet.
- Installation must be in accordance with regulations of the country where the unit is used.
- If you are in any doubt about the suitability of your electrical supply have it checked and, if necessary, modified by a qualified electrician.
- This air conditioner has been tested and is safe to use. However, as with any electrical appliance - use it with care.
- Disconnect the power plug from socket before dismantling, assembling or cleaning.
- Avoid touching any moving parts within the appliance.
- Never insert fingers, pencils or any other objects through the guard
- This appliance can be used by children aged from 8 years and above and persons with reduced physical, sensory or mental capabilities or lack of experience and knowledge if they have been given supervision or instruction concerning use of the appliance in a safe way and understand the hazards involved. Children shall not play with the appliance. Cleaning and user maintenance shall not be made by children without supervision.
- Do not leave children unsupervised with this appliance.
- Do not clean the unit by spraying it or immersing it in water.
- Never connect the unit to an electrical outlet using an extension cord. If an outlet is not available, one should be installed by a qualified electrician.
- Never operate this appliance if the cord or plug is damaged. Ensure the power cord is not stretched or exposed to sharp objects/edges.
- The power cord must not be immersed in water, as this could result in electric shock.
- A damaged supply cord should be replaced by the manufacturer or a qualified electrician in order to avoid a hazard.
- Any service other than regular cleaning or filter replacement should be performed by an authorized service representative. Failure to comply could result in a voided warranty.
- When defrosting and cleaning the appliance, only use tools recommended by the manufacturer.
- Do not use the appliance for any other purpose than its intended use.
- **The air conditioner unit must always be stored and transported upright, otherwise irreparable damage may be caused to the compressor; if in doubt we suggest waiting at least 24 hours before starting the unit.**
- Avoid restarting the air conditioning unit unless 3 minutes have passed since being turned off. This prevents damage to the compressor.





# R290

- Never use the mains plug or an external timer as a switch to start and stop the air conditioning unit. Use the provided ON/OFF button located on the control panel.
  - Always place the unit on a dry and stable surface.
  - The appliance should not be installed in laundry or wet rooms
  - The appliance must be placed in a room without sources of ignition (for example: open flames, an operating gas appliance or an operating electric heater).
  - R290 refrigerant gas complies with European environmental directives.
- R290 has a low GWP (Global Warming Potential) of 3.
  - The air conditioner contains about 215 g of R290 refrigerant gas.
  - Do not use or store in an unventilated space with an area smaller than 10.3m<sup>2</sup> per unit. The room must be such as to prevent stagnation of possible leaks of refrigerant gas as there could be a danger of fire or explosion hazard should the refrigerant come into contact with electric heaters, stoves or other sources of ignition.
  - If the appliance is installed, used or stored in an unventilated room, the room must be such as to prevent stagnation of possible leaks of refrigerant gas as there could be a danger of fire or explosion should the refrigerant come into contact with electric heaters, stoves or other sources of ignition.
  - Refrigerant gas may be odourless.
  - Do not use the product and contact the retailer for advice, if damage has occurred to the unit which may have compromised the refrigerant system.
  - Any repairs or maintenance must only be carried out on the unit by a suitably qualified engineer. Before opening and servicing the unit the authorized engineer must be in possession of a copy of the manufacturer's service manual and must follow the safety information contained within it to ensure all hazards are minimized.
  - The refrigerant system should not be perforated or punctured.

## **Energy Saving and Unit Safety Protection Tips**

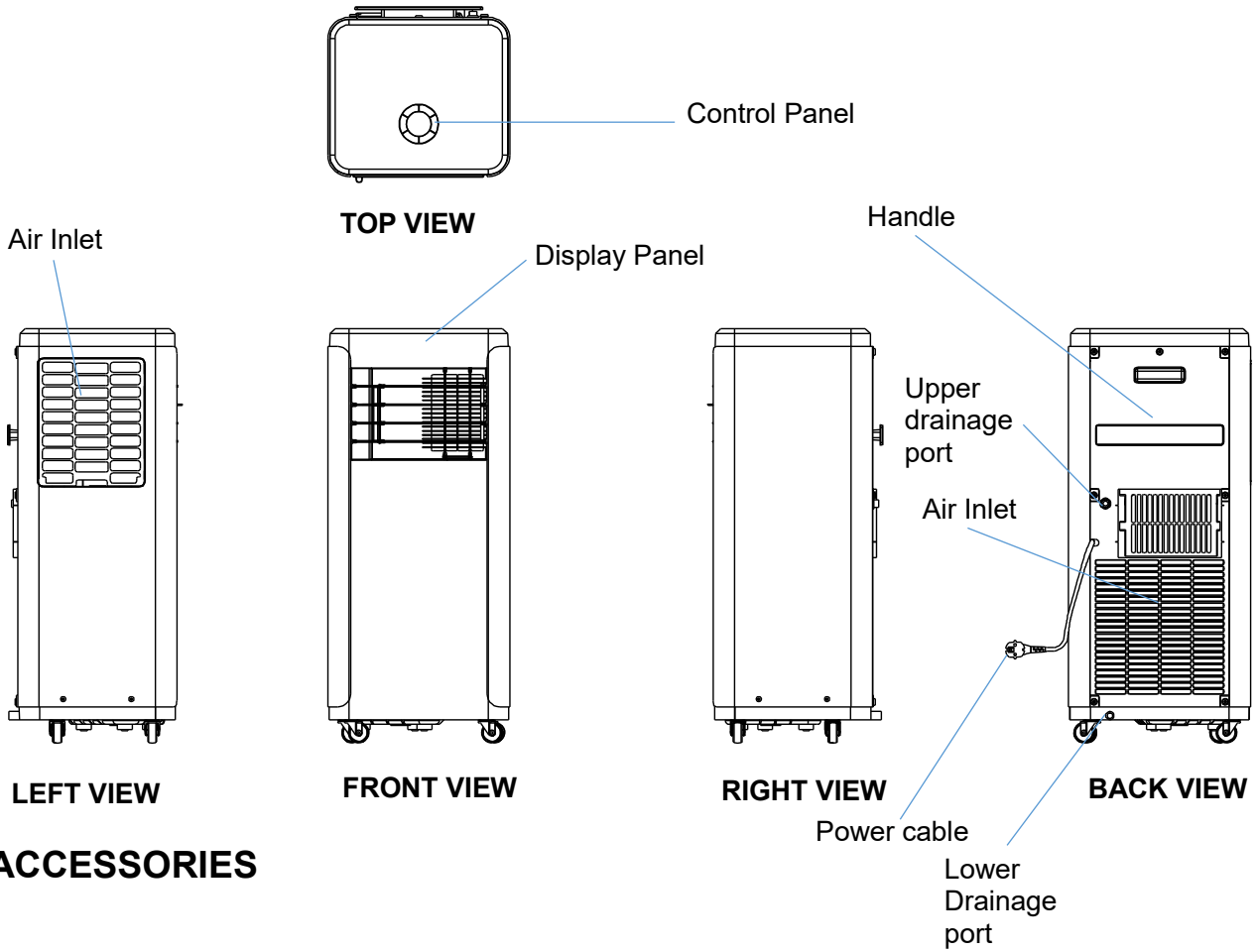
- Do not cover or restrict the airflow from the outlet or inlet grills.
- For maximum performance the air conditioner should be situated at least 50cm from the walls or other objects.
- Keep the filters clean. Under normal conditions, filters should only need cleaning once every three weeks (approximately). Since the filters remove airborne particles, more frequent cleaning maybe necessary, depending on the air quality.
- For the initial start-up set the fan speed to maximum and the thermostat to 4-5 degrees lower than the current temperature. After, set the fan switch to low and set the thermostat to your desired setting.
- To protect the unit we recommend the unit should only be used when the room temperature is between 7°C and 35°C. If the temperature is below this use electrical heating to raise the temperature above 10°C before starting the unit.

# FEATURES

## FEATURES

- Self-evaporative system - no external water tank needed
- Powerful but compact
- Hidden display on front of the unit
- Enhanced design with hot air outlet positioned higher – this allows for improved performance with the use of a short hose
- 24 hour programmable timer function – allows you to choose when the unit operates.
- 2 speed fan, Low and High for best balance between quiet operation and maximum airflow
- Compressor protection technology

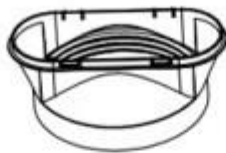
# DIAGRAM



# ACCESSORIES



**Exhaust hose**



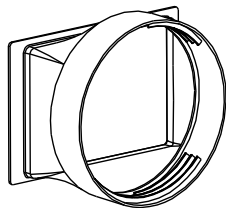
**Fishtail adaptor**



**Slide bar**



**Remote control**



**Exhaust hose connector**

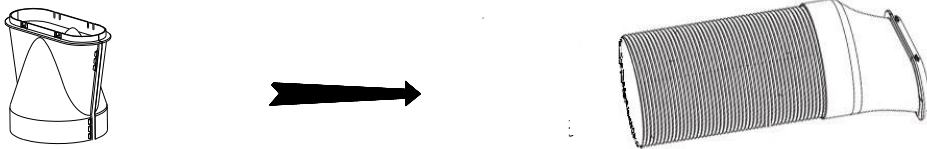
# INSTALLATION

**Warning: Before using this unit, please keep it upright for at least 3-4 hours.**

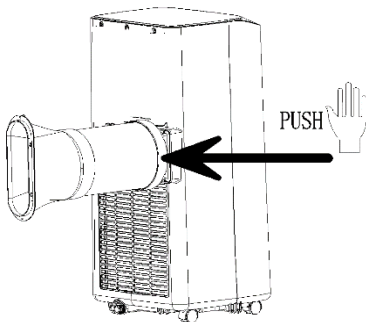
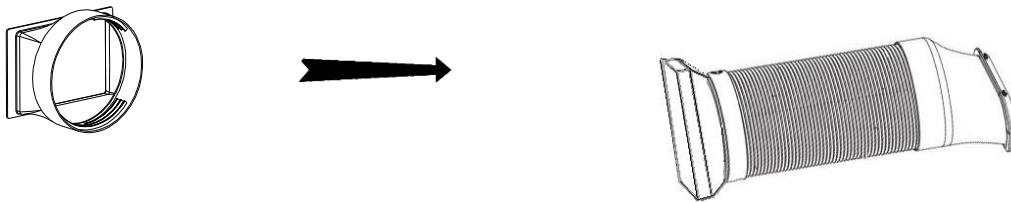
This unit can easily be moved from one room to another.

While moving the unit please note that it must always be kept upright and then placed on an even surface.

1. Assemble the fishtail adaptor on to the hose, by extending the end of the hose and twisting the fishtail into position (At least 3 full rotations)

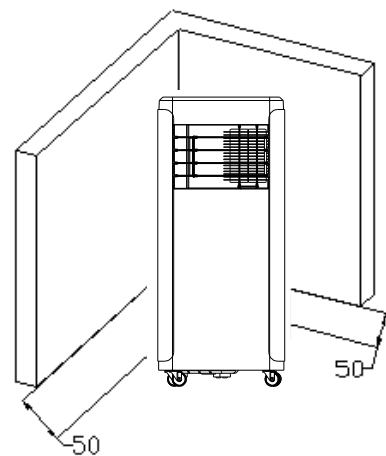


2. Assemble the Exhaust hose connector on to the other end of the hose, by extending the opposite end of the hose and twisting the outlet into position (At least 3 full rotations)



3. Attach the exhaust hose connector onto to the exhaust outlet on the rear of the air conditioner body, by pushing into position.

4. Make sure the unit is upright and there are no obstructions to the air inlets and outlet grills. A minimum of 50cm clearance should be left between the inlet/outlet grills and any obstruction.

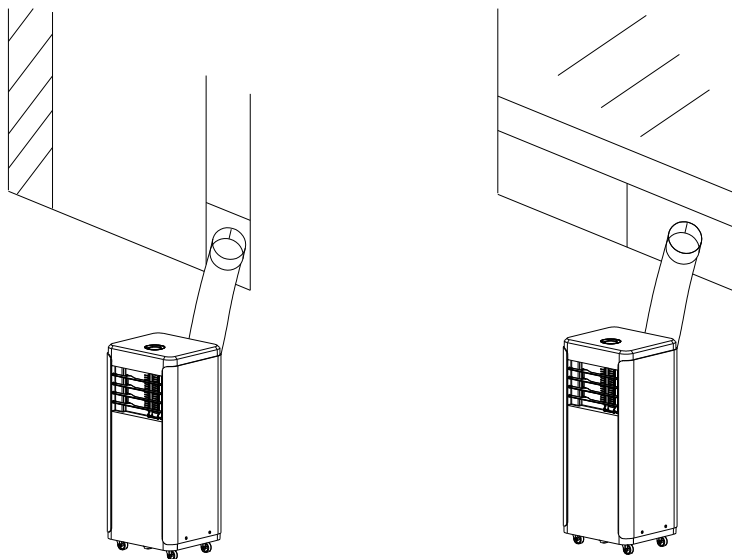


## INSTALLATION OF WINDOW KIT

1. Partially open the window and then fix the slide bare into the opening in the window, by putting it into position before closing the window onto it to seal the gap.



2. Push the fishtail adaptor into the slot in the slide bar



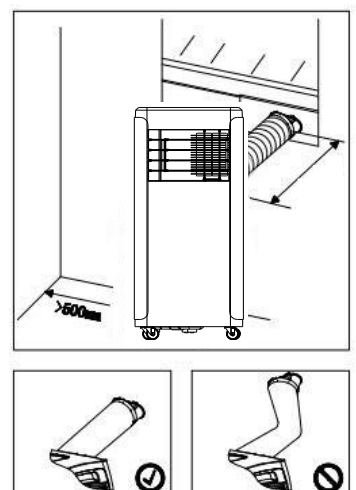
**Note:** The slide bar is only designed to be installed with sliding or sash windows or doors. The slidebar is not designed or to be used with any other style of window. However the fish tail adaptor can be used with most windows / doors. When using the cooling mode ensure that the opening is left as small as possible. The best form of installation is through a wall duct. By properly venting you expel hot air from your room while efficiently cooling it.

## Important safeguards

The length of the soft hose extends from 28 cm to 150 cm. If hose is extended above this length the unit may malfunction and this can invalidate the warranty.

The outlet vent must be well ventilated and not obstructed as this will cause the unit to overheat.

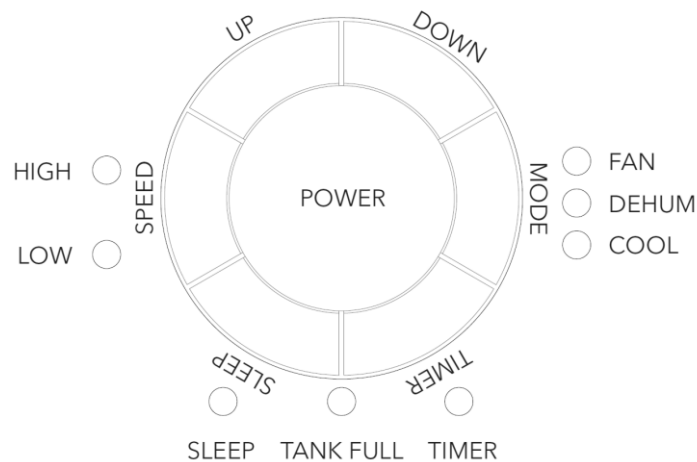
Avoid bending the air hose more than 30 degrees.





# OPERATION AND SETTINGS

## CONTROL PANEL & FUNCTION



### POWER BUTTON

Press to turn unit “ON” or “OFF”

### MODE BUTTON

Pressing this button will select between the COOL, DRY (dehumidify) and FAN modes. The lights next to the button indicate the currently running mode.

**COOL MODE:** Cold air will be expelled through the front of the unit and hot air will be expelled through the vent hose.

**DRY (DEHUMIDIFIER) MODE:** The unit should be set up without a vent hose, moisture is extracted from the air that passes through the unit. Continuous drainage should be set up for the moisture collected (Drainage pipe not included).

**FAN MODE:** No cooling effect, circulates air within the room, vent pipe not required.

### UP & DOWN BUTTONS

During cooling function – These buttons raise or lower the temperature by 1°C for each press. The minimum temperature is 16°C and max. 31°C.

### SPEED BUTTON

Press to select either LOW or HIGH fan speed. The lights next to the button will indicate the fan speed currently selected.

*NOTE: In dehumidifying function, this button is invalid as the unit is designed to run at low speed in dehumidifying mode.*

## **SLEEP MODE**

Press the **Sleep** button to enter sleep mode, the default fan speed is low and the Sleep mode indicator led will illuminate.

When the sleep mode is turned on:

After one hour the set temperature will increase by 1 degree Celsius, after another hour the set temperature will increase by another degree, and will then remain set at that temperature.

Please note:

- Sleep mode cannot be used in dry and fan modes.
- If internal tank becomes full, the machine will turn off and sleep mode will be cancelled.

## **TIMER BUTTON**

The in-built timer will allow you to set the unit to turn on or turn off after a set period of time, Please note only one timer can be used at any time.

**ON TIMER** – The timer will turn on the unit automatically after the time set has elapsed.

1. With the unit turned off, press the **TIMER** button, then set the number of hours' time you desire the unit to start by using the **UP** and **DOWN** buttons.
2. Once the set time has elapsed, the unit will turn on automatically.
3. Press the **POWER** button before the time has elapsed and the unit will turn on as normal and the timer will be cancelled
4. The function and fan speed can be set whilst setting the timer.

**OFF TIMER** – The timer will turn off the unit automatically after the time set has elapsed.

1. While the unit is operating, press the **TIMER** button then set the number of hours' time you desire the unit to stop by using the **UP** and **DOWN** buttons.
2. Once the set time has elapsed, the unit will turn off automatically.
3. Press the **POWER** button before the time has elapsed, the setting time will be cancelled and the unit will turn off.

## **TANK FULL INDICATOR**

When illuminated this indicates that the internal water tank is full and requires emptying, following the information provided in the water drainage section.

## **LED DISPLAY**

The display indicates the current target temperature or the remaining timer settings. When the set temperature or the timer is adjusted, the new setting is shown.

The display is also used to show error codes. Should a fault occur, see **ERROR CODES**.





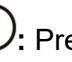


## **CHANGE BETWEEN FARENHEIT AND CELCIUS**

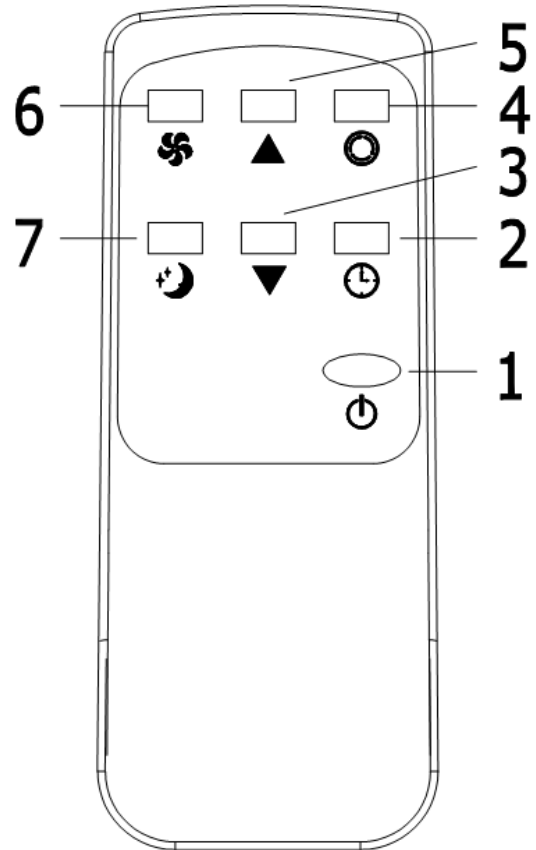
To change the unit of measurement shown on the display, press both the **UP** and **DOWN** buttons at the same time

## REMOTE CONTROL

The air conditioner can be controlled with the remote control. Two AAA-batteries are required to use the remote control.

**Note:** the air flow direction cannot be adjusted with the remote control.

1. **POWER** : Press the POWER button to turn the machine on or off.
2. **TIMER** : Press the TIMER button to set the timer.
3. **DOWN** : Press the DOWN button to decrease the desired temperature or timer
4. **MODE** : Press the MODE button to switch between cooling, fan and dehumidifier modes.
5. **UP** : Press the UP button to increase the desired temperature or timer
6. **FAN** : Press the FAN button to change between high and low fan speeds.
7. **SLEEP MODE** : Press the SLEEP button to turn on the sleep mode



## WATER-DRAINAGE

### MANUAL DRAINAGE:

1. When the internal water tank is full the unit will stop working and the TANK FULL light will illuminate.
2. Shut off the unit and unplug. Try not to move the model abruptly as this may cause water to spill out from internal water tank.
3. Place a tray under the lower drainage port.
4. Remove the water plug from the lower drainage port - water will drain from the container.
5. Put the water plug back once the tank has drained

### CONTINUOUS DRAINAGE:

1. Remove the water plug on the lower drainage port
2. Connect a suitable water pipe to the lower drainage port.
3. You can plumb this pipe into your current plumbing system, lead it outside or use a water pump.

**Note:** This model has a self-evaporative function, which reduces the need to empty the water tank. If the unit is vented correctly most of the water is reused to cool the condenser coils and any excess is evaporated. Please do not use continuous drainage if you intend to use the self-evaporating facility. In dehumidifier mode you may need to use the continuous drainage option.

# **MAINTENANCE**

## **CLEANING**

Please shut off the unit and unplug from the mains before cleaning or performing any maintenance

### **CLEAN THE SURFACE**

Clean the plastic housing with a duster or a soft wet cloth.

Do not use chemical solvents (such as benzene, alcohol or gasoline) as they may cause irreversible damage.

### **AIR FILTER CLEANING**

- a) Clean the air filters on the sides of the unit every 2 weeks. If the air filter is blocked with dust, the unit's performance will be significantly affected.
- b) Disconnect the power plug from the socket before dismantling, assembling or cleaning
- c) Open the air filter covers and remove the washable mesh filter
- d) Wash the mesh air filters by immersing them in warm (about 40°C) water with a neutral detergent.
- e) Rinse it and then dry them thoroughly.
- f) Carefully re-install air filters back into their cover

### **END OF SEASON MAINTENANCE:**

3. Pull out the plug from the drainage hole and empty the internal tank. You can also drain the water by leaning the unit.
4. Then switch the unit to low fan mode.
5. Keep the unit in this mode for half day - until the conduit is dried. Doing this helps to keep the inside of the unit dry and prevents mold developing
6. Turn off the unit and pull out the plug.
7. Coil the wire and bind it together, then put it into the accessories space.
8. Separate the air-exhausted pipe and store it safely.
9. Cover the unit and keep it in a dry place.
10. Take the batteries out of remote control and store, or dispose, them safely
11. Keep all accessories with the unit ready for next season.

## TROUBLESHOOTING

Do not repair or disassemble the unit by yourself, unauthorized repair attempts will invalidate the warranty and may cause bodily harm.

Trouble	Reason	Solution
The unit does not work	No power supply	Power-on and turn on the unit.
	Water-full indicator illuminated	Drain the internal water tank
	Timer function is active	Cancel Timer function
	Room temperature too low or too high	Use only in ambient temperatures between 7-35°C
The unit does not seem to perform.	In direct sunlight	Draw the curtains, UV affects RC
	Windows or doors open. Large amount of people or a heat source in the room.	Close windows and turn on another air conditioner
	Filter is very dirty	Clean or change the air filter
	Air inlet or air outlet is blocked	Clear out debris
	Room temperature is lower than setting temperature	Change the setting temperature
The unit is loud	The unit is not put on flat surface	Put the unit on flat and hard surface
Compressor does not work	Overheating protection is active	Check venting. Restart the unit after 5 minutes when compressor has cooled
Remote control doesn't work	Operating distance is too far.	Move remote control closer to the unit and make sure it aims at the air-outlet grille
	Control panel has not received the signal from remote control.	
	The batteries are flat	Replace the batteries
E0	Room temperature abnormal or there is electrical short on temperature sensor	Temperature not within 7-35 C operating range. If temperature within operating range refer to Service Centre (check room temperature sensor or relevant circuit)
E2/E4	Water tank is full inside the machine	Drain out water from drain port at bottom rear of the unit.


If the above solutions do not resolve the problem please contact the service centre.



Disposal: Do not dispose this product as unsorted municipal waste. Collection of such waste must be handled separately as special treatment is necessary.

Recycling facilities are now available for all customers at which you can deposit your old electrical products. Customers will be able to take any old electrical equipment to participating civic amenity sites run by their local councils. Please remember that this equipment will be further handled during the recycling process, so please be considerate when depositing your equipment. Please contact the local council for details of your local household waste recycling centres.

## TECHNICAL DATA

	P12CE-V2
<b>Capacity</b>	12,000 BTU
<b>Rated Input</b>	1345W
<b>Running Current</b>	6.0A
<b>Noise (sound power)</b>	≤65dB(A)
<b>Permitted Excessive Operating Pressure</b>	1.0/2.6 MPa
<b>Maximum Allowable Pressure</b>	1.2/3.2 MPa
<b>Power Supply</b>	220-240V/50Hz
<b>Net Weight</b>	24Kg
<b>Refrigerant Type / Quantity</b>	R290 / 215g
<b>Dimension(L*D*H)</b>	355x330x807 mm
<p>Unit must be vented outside when in Air Cooling mode.            For the purposes of EU regulation EN12102 this is a <i>local air conditioner</i> and produces less than 65dB(A) sound energy.</p>	
 R290	



R290

## **electriQ UK SUPPORT**

[www.electriQ.co.uk/support](http://www.electriQ.co.uk/support)

Please, for your own convenience, make these simple checks before calling the service line. If the unit still fails to operate contact us using the form on our website or call:

0871 620 1057

1. Has the unit been standing upright for at least 2 hours?
2. Is the unit plugged into the mains?
3. Is the fuse OK?
4. Switch the unit off and wait three minutes to see if the issue is resolved. Restart the unit.
5. Check if the water tank is full.

Office hours: 9AM - 5PM Monday to Friday

electriQ  
Unit J6, Lowfields Business Park  
Lowfields Way, Elland  
West Yorkshire, HX5 9DA