



**Wall Mountable Desiccant Dehumidifier
with Humidistat and Ioniser**

**8 litres per day
USER MANUAL**



Thank you for choosing Amcor

**Please read this user manual before using this innovative Dehumidifier
and keep it safe for future reference.**

Visit our page www.amcoruk.com for our entire range of Air Treatment products

Contents

Safety Instructions	1
Installation	3
Parts	4
Control Panel	5
Quick reference guide	5
Operation	6
Positioning	8
Water Drainage	9
Care and Maintenance	11
FAQ	12
Troubleshooting	13
Technical Data	15

SAFETY INSTRUCTIONS

Important

- Carefully read the instructions before operating the unit
- This appliance is for indoor use only and intended for use in a domestic environment only. Any other use is not recommended by the manufacturer and may cause fire, electrical shocks or other injury to person or property.
- Rating: This unit must be only connected to a 220-240 V / 50 Hz earthed outlet.
- Installation must be in accordance with regulations of the country where the unit is used.
- If you are in any doubt about the suitability of your electrical supply have it checked and, if necessary, modified by a qualified electrician.
- This dehumidifier has been tested and is safe to use. However, as with any electrical appliances - use it with care.
- Disconnect the power plug from socket before dismantling, assembling or cleaning.
- Avoid touching any moving parts of the appliance.
- Never insert fingers, pencils or any other objects through the guard
- This appliance is not intended for use by persons (including children) with reduced physical, sensory or mental capabilities. It is also not intended for use by those with a lack of experience and knowledge, unless they have been given supervision or instruction concerning the use of the appliance by a person responsible for their safety.
- Do not leave children unsupervised with this appliance.
- Do not clean the unit by spraying it or immersing it in water.
- Never connect the unit to an electrical outlet using an extension cord. If a power outlet is not available, one should be installed by a qualified electrician.
- Never operate this appliance if the cord, power adapter or plug is damaged. Ensure the power cord is not stretched or exposed to sharp object/edges.
- A damaged power supply cord should be replaced by the manufacturer or a qualified electrician in order to avoid a hazard.
- Any service other than regular cleaning or filter replacement should be performed by an authorized service representative. Failure to comply could result in a voided warranty.
- Do not use the appliance for any other purposes than its intended use.
- Do not tilt the unit while in use. The unit is design to work only in vertical position.
- This dehumidifier must always be stored upright, otherwise irreparable damage may be caused
- This unit will still operate for approximately 5 minute after pressing the power off button. This is normal and ensures the desiccant wheel is drained of water. Avoid restarting the dehumidifier unit unless 5 minutes have passed since being turned off.
- Never use the mains plug as a switch to start and turn off the dehumidifier. Use the provided ON/OFF switch located on the control panel.
- Always place the unit on a dry and stable surface.
- The appliance should not be installed in laundry or wet rooms where the humidity

is higher than 85% RH. Operate this unit in an ambient temperature between 0°C and 40°C.

- Do not dry laundry above the unit to prevent water entering the dehumidifier. Place the laundry at least 1 meter away from your dehumidifier.
- Do not place the unit next to heat sources (e.g. electrical fires, fireplaces, etc.)

Energy Saving and Unit Safety Protection Tips

- Do not cover or restrict the airflow from the outlet or inlet grills.
- For maximum performance the minimum distance from a wall or objects should be 20 cm
- Unit can be wall mounted but only with the manufacturer supplied brackets
- Keep the filters or grills of the unit clean. Under normal conditions, filters or grills should only need cleaning once every three weeks (approximately). Do not use the unit without the air filter as this will allow dirt to gather inside the dehumidifier and could invalidate the warranty. A dirty filter will restrict the air flow into the machine which will increase the resistance on the fan and could result in damage and might invalidate the warranty.

Since the filters remove airborne particles, more frequent cleaning maybe necessary, depending on the air quality. Vacuum and wash the mesh filters with hot soapy water and dry them before placing them back in the unit.

Features

Your Amcor dehumidifier is a top of the range desiccant dehumidifier with features not found in other units

1. Efficient, easy to use, quiet
2. Intelligent CPU controlled humidistat with 4 humidity settings 40%, 50%, 60%, 70% RH settings and power saving logic
3. Touch control panel with led indicators
4. Works very well at low temperatures compared with classic compressor dehumidifiers
5. Desiccant Dehumidifiers are very effective at low temperatures and do not lose their ability to dehumidify effectively
5. Power Saving Laundry mode to help with clothes-drying
6. Heats the air passing through between 5-10°C, making the air dry and warm reducing the heating bills
7. Water tank level window, and tank full alarm & auto-stop function
8. Folding carry handle for easy transportation
9. 3D design swinging louvres for improved air flow
10. Ionizer sterilize the air
11. Anti-tilt safe design
12. Wall mountable with optional brackets

Installation

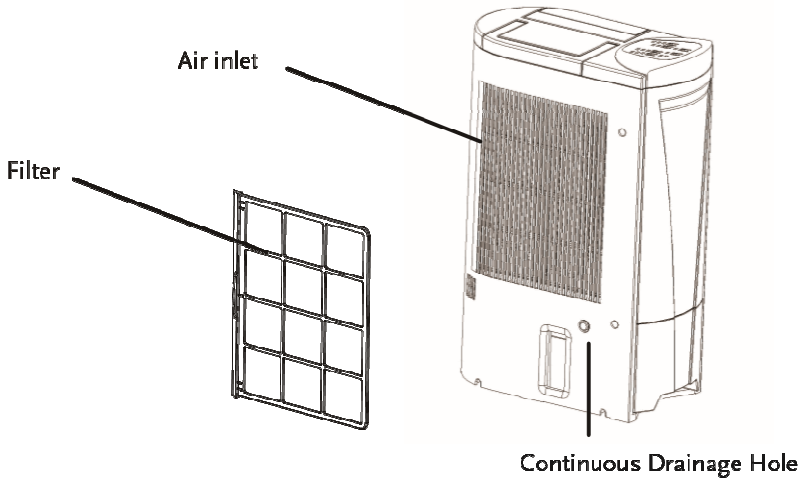
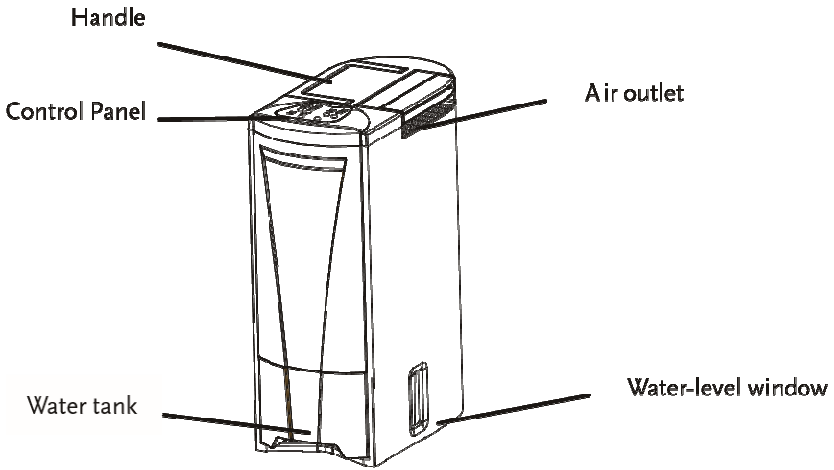
Remove any water from the water tank before starting the unit. In order to save energy, do not open windows or doors while the unit is running. Place the unit on a hard / flat surface. On first use run the unit continuously for 24 hrs.

To reduce noise levels:

Place a piece of carpet or a rubber mat under the unit to reduce any vibrations while the unit is running.

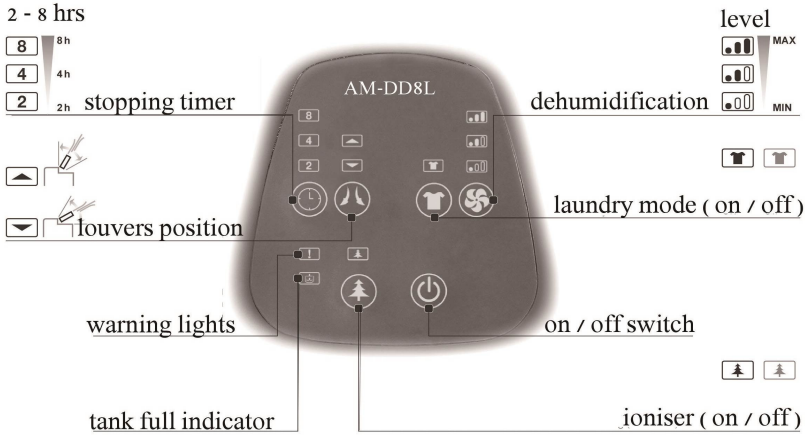
Amcor desiccant dehumidifiers use compressor free desiccant technology to extract water from the environment. The desiccant dehumidifiers are ideal both at standard and low temperatures working on ambient range between 0-37°C. Amcor desiccant dehumidifiers are light and easy to move around as they do not have heavy compressors. They are also intelligent dehumidifiers which will extract unwanted humidity while saving money due to their humidistat and advanced power saving logic. They features an intelligent humidistat with 4 set settings including laundry mode at 40%, 50%, 60%, 70% RH insuring your room is not dried too much and power is not wasted.

PARTS



- (1) Carrying Handle
- (2) Control panel
- (3) Air outlet grill with swinging louvres
- (4) Water tank
- (5) Water level window
- (6) Air inlet and grill
- (7) Washable antibacterial mesh filter
- (8) Continuous Drainage Hole and Rubber Stopper
- (9) Power cord
- (10) Power plug (varies according to region)

CONTROL PANEL



Operating Keys and Quick Guide

Power On / Off Key

Turns the unit On / Off

Timer Selection Key

Selects the stopping timer to 2 / 4 / 8 hrs or continuous operation (without timer lights on)

Ioniser On / Off Key

Dehumidification Level Controls Keys

Target humidity level set to 50% RH; fan on **HIGH**

Target humidity level set to 60% RH; fan on **MEDIUM**

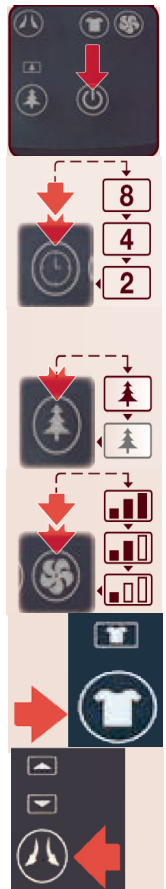
Target humidity level set to 70% RH; fan on **LOW**

Laundry Mode On / Off Key

Target humidity level set to 40% RH, fan to low

Louvres position selection Key

Sets the louvres to static position or swinging **front / top**



Selection / Indicator Lights

Power ON Key light (green)

Humidity selection Indicators (green)

Laundry Mode **On** indicator (green)

Stopping timer selection (green)

Ioniser On (green)

! Warning indicator light (red)

Tank full indicator light (red)

OPERATION

Switching the unit ON and OFF

Press the "ON/OFF" switch to turn on the unit. The power light will be green as soon as it switches on. To turn off the unit press the "ON/OFF" key again.

Please note that when turning it off, the dehumidifier will still operate for a while to discharge the remaining water from the desiccant disk and prevent mould growth.

Setting the Laundry Mode

Press Laundry Mode button, the LED light will turn on. Laundry mode will set the target humidity to Lo

Press **louvers position key** to set louvers swing direction:

front→**top**→**static**, corresponding indicator turns on.

Front: Air comes out from front with the louvers swing angle scale about 0°~60°

Top: Air comes out from front with the louvers swing angle scale about 30°~90°

Static: Louvers stop swinging in the desired position.

Setting the Stopping Timer

On selecting stopping timer at 8/4/2 hours, the indicating light turns on until the desired selection is made.

When selecting '8 hours', the indicator light will progress to 4 and respectively 2 hours until the unit stops irrespective of the humidity settings. This setting is ideal for drying laundry. No selection will make sure the unit operates continuously subject to humidistat settings.

Setting the Dehumidification level

Press dehumidify level key to select **Low / Medium / High level**.

Corresponding indicator turns on the humidistat set range for this unit from 70%, 60% and respective 50% RH.

Use the unit on **Low** mode for maximum power savings with a target humidity below 70% RH. **Medium** settings will ensure good humidity level below 60% RH with less power being used. **High** mode ensure a target humidity of 50%RH while the humidistat ensure that the air will not get too dry.

Laundry mode is set to a 40% RH while the power consumption is reduced to a spectacular for a desiccant dehumidifier 260 Watts. Recommended humidity for human habitation is between 50-60% RH.

Intelligent dehumidification and power saving

Your Amcor dehumidifier features an intelligent micro CPU that ensure maximum water extraction with minimum power use.

Once the desired set humidity was been achieved the dehumidification cycle will stop for 30 minutes unit going in to a standby mode. At the end of the sleep period the dehumidifier will wake up for 5 minutes in fan mode to measure the humidity in the air. If humidity is higher than target humidity the unit will start working until the desired humidity is achieved. This process ensure maximum power savings while maintaining the desired humidity.

Setting the Ioniser

Press IONISER key on / off. Ioniser will sterilise the air preventing mould growth and improving air quality.

Operational Advice

1. Plug to power, press ON/OFF key to turn-on the machine; press ON/OFF key again to turn-off the dehumidifier.
2. Make sure water-tank is placed/ fitted correctly. If the water tank is not fitted/placed correctly the 'water full' light will turn on and the machine will not operate.
3. When the dehumidifiers first starts, default dehumidify setting is set to "LOW ".

4. After being turned off the machine will remember the last settings for the next power cycle.
5. When unplugging from the wall socket use one hand to hold the plug and the other hand against socket to avoid power cord damage.

Warning: Using poor quality sockets, extensions or overloading the circuits may cause damage to the machine or may start a fire.

6. When switching OFF the machine, do not simply unplug the unit from the socket - ensure you turn off the machine properly before unplugging. After dehumidifiers is OFF, the fan will keep running for a couple of minutes and heat will be produced to dry the dehumidifier.

Auto-Restart

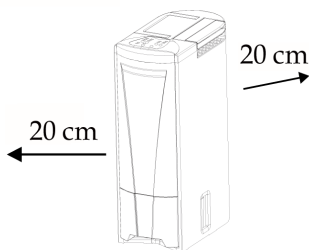
If the unit stops off unexpectedly due to the power cut, it will restart with the previous function selected automatically when the power resumes. Wait at least 3 minutes for power to resume.

Tilt Protection

Your Amcor dehumidifier was designed with safety in mind. When unit is tilted it will be shut down to minimize safety risk or damage. Please do not use if the unit is tilted by mistake for a day or two until the internals are completely dried. Consult the service centre if in any doubts

Positioning the dehumidifier

Badly positioned dehumidifiers will have little effect in effectively drying the place. In positioning the dehumidifier please ensure circulation of air in not restricted around the unit. Please observe figure bellow in installing the unit.



Your AMCOR dehumidifier will begin to protect your home from the harmful effects of excessive moisture as soon as it is turned on.

Excess moisture travels throughout your home, in the same way that cooking smells spread around the house. For this reason, the dehumidifier should be positioned in a central and clear

location so that it can draw this moist air towards it from all over the home. A warm hallway or landing is an excellent position for your dehumidifier. If possible, leave interior doors ajar to allow air circulation.

Alternatively, if you have a serious problem in one area you can begin by

positioning the dehumidifier there and moving it to a more central location at a later date. For the most effective use, run your dehumidifier with external doors and windows kept closed. Please note the unit should not be placed directly against a radiator or other heat source.

When positioning your AMCOR dehumidifier, ensure that it is placed securely on a level surface clear of any obstacle that may limit the air movement.

The dehumidifier can be wall mounted with the optional bracket set. Only use original brackets specially designed for the unit.

This dehumidifier is designed only for indoor residential / office applications and any commercial or industrial use will invalidate the warranty.

Place the dehumidifier on a flat dry surface.

The dehumidifier must be operated in an enclosed area to be most effective.

Close all doors, windows to create the best operating environment.

Do not use outdoors.

Water Drainage

When the water tank is full, the unit will stop automatically. When this happens the water full indicator light will show on the control panel.

There are two ways to dispense collected water.

Use the tank. When the tank is full, the unit will automatically stop running, and the Full indicator light will flash. Slowly pull out the tank. Hold the bottom of water-tank to pull it out by recessed handle. Remove the tank cover only before emptying it. Empty the water tank and reinsert it into the dehumidifier. The tank must be in place and securely seated for the dehumidifier to operate again. The dehumidifier will re-start when the tank is restored in its correct position.

Notes:

- Do not remove the water tank immediately after the unit stops. Please wait a while to avoid the water dripping into the unit and causing damage.
- Only empty the water tank when is full or before moving or storing the unit.
- Do not rest the tank on the floor because the bottom of the tank maybe uneven and tank will fall and cause the water to spill.
- When you remove the bucket, do not touch sensors or any parts which are situated behind tank. Doing so may damage the product. Be sure to push the tank gently all the way into the unit. Banging the bucket against anything or failing to push it in securely into place may cause the unit not to operate.
- Do not remove or damage the float switch in water-tank, otherwise the machine will stop working.
- Please make sure the water tank cover is put back into place correctly before the water tank is reinserted.

- If the water-tank is inserted incorrectly, the tank full indicator will not turn off. Reinsert the water tank to turn the indicator off and resume normal use.
- At all times, avoid water entering the unit. It may cause electrical hazard and damage the unit.

Continuous draining

This dehumidifier has a continuous drain hole that can be connected with a plastic pipe. The water in the body will drain through the drain hole first, so ensure it is secured with the rubber stopper if using the water tank.

Water can be automatically plumbed in or drained into sink, a larger recipient or through the wall into an outside drain by attaching a pipe to the unit. A standard pipe is supplied with the unit.

Pull out the rubber plug from the drain outlet in the back of the unit. Then insert the pipe into the drain outlet at the back of the unit. Make sure the connection between pipe and the drain outlet is tight and do not leak. Then direct the pipe to a suitable drainage point. This unit uses gravity fall to dispose water hence the drain should be lower than the dehumidifier water outlet. Be sure to run the water pipe downward and let the water to flow out smoothly. Do not kink or bend the pipe.

NOTE: When the continuous drain feature is not being used, remove the drain hose from the outlet and attach the rubber plug back to the drain outlet. The permanent drain can be used in conjunction with water pump (e.g. when draining a cellar) to lift the water upwards.

Care and Maintenance

Always switch off the unit and unplug from the mains before cleaning or performing any maintenance. When it is not in use for long periods it is advised to remove the plug from the plug socket. Do not use chemical solvents (such as benzene, alcohol or gasoline) as they may cause irreversible damage to the unit.

Filter Cleaning

Air-inlet and air-outlet may gather dust easily, please clean it often with a soft, damp cloth. If the filter is covered by dust, the airflow and the performance of the unit will be affected, it may even cause machine damage. We recommend that you regularly clean the filter. Let the unit dry before reuse.

1. Remove the filter from the unit.
2. Clean the filter with a vacuum cleaner or soft-brush.
3. Replace the filter in position.

Grille and Case Cleaning

Use water and a mild detergent. Do not use bleach or abrasives. Do not splash water directly onto the main unit. Doing so may cause an electrical shock and can lead to the insulation to deteriorate, or cause the unit to rust. The air intake and outlet grilles get soiled easily, so use a vacuum attachment or soft brush to clean.

Water tank cleaning

Every few weeks, clean the tank to prevent growth of mould, mildew and bacteria. Partially fill the tank with clean water and add a little mild detergent. Swish it around in than empty the tank and rinse.

NOTE: Do not use a dishwasher to clean the tank. After cleaning and drying the tank must be reinserted securely into dehumidifier in order to restart operation. Only use soft wet cloth or paper towel. Do not use detergent or very hot water.

Out of season storage

1. Turn off the unit and wait for the drying cycle to finish before unplugging the power cord.
2. Clean and dry the water-tank.
3. Clean the filter, air-inlet, air-outlet and unit body.
4. Cover the unit to prevent it from gathering dust.
5. Store the dehumidifier in a cool and dry place.

Power Cord Maintenance and Replacement

If the power cord is damaged, it could cause a short circuit or become a fire risk. Please avoid pulling the cord, twisting or pressing it and keep it away from pets. If the power cord is damaged, power the unit off and unplug if immediately. Contact an electrician for repairs; do not attempt to repair the unit yourself.

Frequently Asked Questions

Smells and odours

On first use the dehumidifier and periodically afterwards you might notice a smell coming from the dehumidifier. This is caused by the Zeolite desiccant material and is not a sign that the dehumidifier is faulty, nor is it harmful to humans or pets. The smell occurs because the desiccant disc absorbs odours from ambient like cooking smells, cigarettes, cosmetics, hair sprays, building materials and new furniture and then when the desiccant is heated the smell is discharged back into the room. This smell has been described as being like a burning smell or acrid smell. It is normal, will not last long and is not a sign of a fault. You can clear it by running the dehumidifier in a separate ventilated space like a garage or if it is dry – outside.

Amount of water collected and size of the tank

- When you first use your dehumidifier it will work harder to reduce the room humidity down to 50%rh (in “High” mode). This is the time when it will produce the most water and need emptying most frequently 3-4 times / day. As the room becomes dryer the dehumidifier collects less water and will takes longer to fill the tank, this is perfectly normal. When the target relative humidity has been reached the dehumidifier will stop collecting water and going longer in standby, this is normal operation. The intelligent logic of your machine will save you money.
- Unless you dry clothes, you can use the unit on
- If you find that you still have condensation on your windows or you need to dry the air further then us the “High” mode. This might well be necessary if you have single glazed windows, house that is poorly insulated or if the outside air temperature drops towards freezing. Using in High mode will add more heat to your room and reduce your heating bill as dry air will heat quicker.
- For unoccupied properties, garages or boats use “Medium” or “Low” mode according to your needs. That will ensure minimum power consumption while will prevent moisture related issues.

Troubleshooting

Problem	Possible Cause	Solution
The unit does not work	<ol style="list-style-type: none"> 1.Power is abnormal 2.Water tank displaced or full 3.Room temperature is too high or air-outlet is covered 	<ol style="list-style-type: none"> 1. Contact an electrician to perform a repair. 2.Check water tank placement or empty water tank 3. Lower room temperature, clear air outlet
Poor performance	<ol style="list-style-type: none"> 1.Filter is dirty 2.Door & windows are open 3. Air-inlet or out-let is blocked. 	<ol style="list-style-type: none"> 1.C lean the filter 2.Close door & windows 3.Clean air-inlet & air-outlet
Too Noisy	<ol style="list-style-type: none"> 1. Unit is not placed on even surface. 2. Filter is blocked 	<ol style="list-style-type: none"> 1. Place the machine on the flat surface. 2. Clean the filter
The device does not dehumidify	The relative humidity in the room where the dehumidifier is operating is too low.	The dehumidifier dries down to the target relative humidity set and then goes into fan only mode until the relative humidity goes above the set point again.
The dehumidifier works, but relative humidity is still high	<ol style="list-style-type: none"> 1. The place is too large. This dehumidifier can dry up to about a small five bedroom house. 2. There are too many sources of moisture. Bathing, washing, drying clothes and cooking all puts moisture into the air. 3. Paraffin or Calor gas heating can add too much moisture into air 	<ol style="list-style-type: none"> 1. We recommend using a dehumidifier with a greater capacity. Call customer service line for advice 2. We recommend using a dehumidifier with a greater capacity. 3. Consider using an alternative heat sources
The windows were clear and now condensation has returned.	The outside air temperature has dropped significantly and the windows are colder.	Use the dehumidifier on “High” and run for longer
I cannot remove the condensation from my windows, even in “High” or “Laundry” mode	The surface temperature of the windows is too low for a dehumidifier to prevent condensation. Common with single glazed windows or poorly insulated houses when the outside air temperature drops below 0°C	Keep running the dehumidifier on “High” 24 hours a day and if the air temperature outside increases the condensation on windows may clear
Dehumidifier is blowing out warm air	The dried air is passes over a heating element before it is blown into the room as part of the dehumidification process	This is normal and helpful especially in the cold weather, a dehumidifier is not an air cooler. You may be used with a compressor dehumidifier which may blow also cold air.
Knocking noise coming from the dehumidifier	Motor that rotates the desiccant wheel is low on lubrication or dirt may have enter the motor ball bearings	Run the dehumidifier in Laundry mode for two days to increase the lubrication, if fault persists then call the call the service centre
Red warning light on continuously or flashing	Restricted airflow to the dehumidifier, overheating or temperature below freezing	<ol style="list-style-type: none"> 1. Clean the filter and make sure that the unit is more than 20 cm from a wall. 2. If the temperature is below freezing then use the dehumidifier when the

		space is warmer 3. if fault persists then call the call the service centre
Water not draining down the hose	Hose is fitted for continuous drainage but the water still goes into the tank	1. Negative air pressure in the room is pulling the water back into the dehumidifier overflow. 2. Insert a 3 mm hole into the top of the tube 25 mm down from the spout. This will introduce air into the tube and balance out the air pressure. 3. Dirt is gather in the internal tray. May need servicing. 4. if fault persists then call the call the service centre
Dehumidifier leaks water onto the floor	Usually means that the dehumidifier is not on a level surface or that the filter has not been cleaned often enough and dirt has fallen into the internal tray dehumidifier.	1. Check that the water bucket is not cracked by filling it with water and placing it on kitchen paper on the kitchen side. 2. Check if filters are cleane 3. if fault persists then call the call the service centre
Machine not switching off and on in the usual 30 minute pattern	Temperature and relative humidity sensor that reads the room reading is unable to read the correct readings	1. Clean the filter and blow the air sensor with a hover or hair dryer on COLD setting to clear the sensor of dirt 2. Unplug the dehumidifier for 10 minutes to reset PCB and then turn back on. 3. if fault persists then call the call the service centre
On pressing power off fan still works for about 5 minutes and switches off	Unit is drying internally before going in off mode	Normal operation. DO NOT INTERFERE

Note: when the fault cannot be solved by the solutions above, please contact service centre for help, do not attempt repairs.

Disposal: Do not dispose this product as unsorted waste. Collection of such waste must be handled separately as special treatment is necessary.

Recycling facilities are now available for all customers at which you can deposit your old electrical products. Customers will be able to take any old electrical equipment to participating sites run by their local councils. Please remember that this equipment will be further handled during the recycling process, so please be considerate when depositing your equipment. Please contact the local council for details of your local household waste recycling centres.



TECHNICAL DATA

Model	AM-DD8L
Dehumidify Capacity	8 litres / day (max) unaffected by low temperature
Power supply	220-240V AC/50HZ
Current	2.8A
Power	630W max
Power in different Settings	Laundry/ Low: 260 W Medium: 370 W High: 580 W
Working Temperature	1-40°C
Noise	≤ 36dB
Water tank Capacity	2L
Net Weight	6.5Kg
Body Size	H5 00-W 1 70-D 3 3 0mm
AMDD8MK2 2014-2015	

All information provided is for reference only. Products specifications may change due to continuous product development. AM-DD8MK217092014_V2

AMCOR UK SUPPORT

Please, for your own convenience, make these simple checks before calling the service line.

1. Has the unit been standing upright? (for at least 2 hrs)
2. Is the unit plugged into the mains? Is the fuse OK?
3. Switch the unit on and wait three minutes to see if the issue is resolved.
4. Check whether the water tank is full.

If the unit still fails to operate call: 0871 620 1057 or fill the online form

Office hours: 9AM - 5PM Monday to Friday

www.amcoruk.com

Unit 2, The Nursery, Berristow Lane, South Normanton, Derbyshire, DE55 2FX