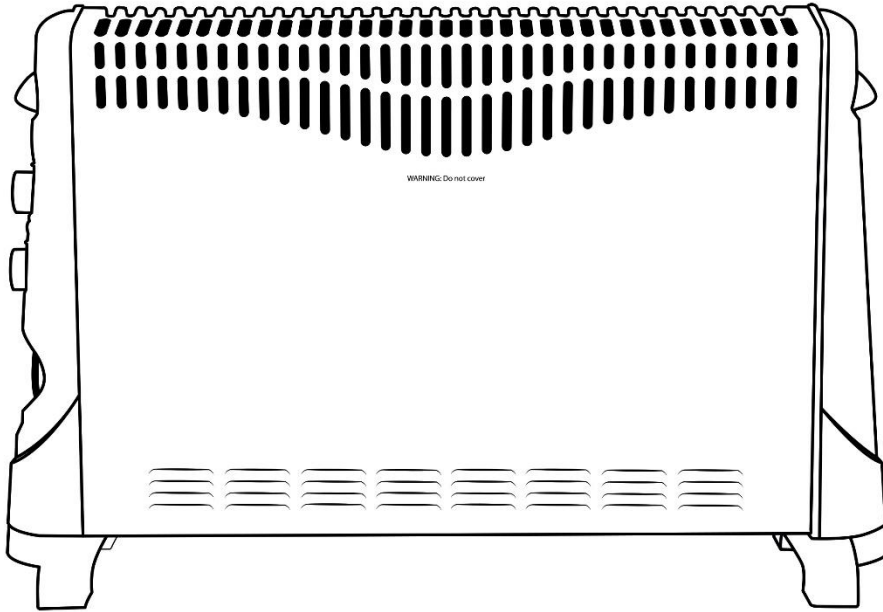




# Russell Hobbs

## Convection Heater



**Model Number:**

**RHCVH4001**

**RHCVH4002**

**220-240V AC 50Hz 1800W - 2000W**

This product is only suitable for well insulated spaces or occasional use

For Customer Services & Spare Parts please call **0345 209 7461**

Or visit us at <https://mda.russellhobbs.com>

**PLEASE RETAIN**  
**FOR FUTURE REFERENCE**

# CONTENTS

	<b>Page(s)</b>
Safety Instructions and Electrical Safety	<b>3 - 5</b>
Feature Diagram	<b>6</b>
Base Assembly	<b>7</b>
Using your Convection Heater	<b>8-9</b>
Using the Timer (selected models)	<b>10-12</b>
Cleaning and Care	<b>13</b>
Problem Solving	<b>14</b>
Guarantee and Customer Services	<b>15</b>
Spare Parts	<b>16</b>
Connection to the Mains Supply	<b>17</b>
Specification	<b>18-19</b>
Disposable Information	<b>20</b>

# SAFETY INSTRUCTIONS

When using electrical appliances, basic safety precautions should always be observed, including the following:

- Read all instructions.
- Check that the your mains voltage corresponds with the rating on the appliance.
- This appliance must be positioned upright on the floor away from curtains, furniture or wall coverings and other flammable items.
- The appliance must not be left unattended while it is connected to the mains supply.
- Do not touch hot surfaces. Use the handle or the controls.
- To protect against electrical shock do not immerse cord, plug, or appliance in water or other liquid. Do not operate with wet hands.
- Do not let the cord hang over the edge of a worktop, table etc. or touch hot surfaces.
- Do not operate any appliance with a damaged cord or plug, or after the appliance malfunctions or is dropped or damaged in any manner. The supply cord cannot be replaced. If the cord is damaged the appliance should be scrapped.
- The use of accessory attachments not recommended by the appliance manufacturer may cause fire, electric shock or injury.
- This appliance must not be immersed in any liquid
- To disconnect remove the plug from the mains outlet. Do not pull the plug out by the cord.
- Never remove parts from the appliance, such as the feet, screws and so on.
- Never use the appliance near a bath, shower or a swimming pool.
- Never place flammable objects or clothing on top of the appliance.
- Allow a 100cm safe area around the appliance on the top and sides and a 150cm safe area at the front.
- Never use the appliance in a room with explosive gas such as petrol, or while using any kinds of flammable glues, sprays or solvents.
- Prevent overheating of the appliance by keeping the air inlets and outlets clean and free of anything that may cause blockage. Check all inlets and outlets regularly for accumulated dust. DO NOT COVER.
- Do not place any part of your body near the air inlet, outlet or on the fins ,to avoid personal injury, electric shock or fire.
- If overheating should occur, the built-in overheating safety device will shut the appliance off.

# SAFETY INSTRUCTIONS

- Caution: Some parts of this product can become very hot and cause burns. Particular attention must be given when children and vulnerable people are present.
- Do not insert any foreign objects into the grill.
- Keep all grills clear of any draped fabric or curtains.
- The appliance must not be located immediately below a mains socket. Do not use the appliance with a programmer, timer or any other device that switches the appliance on automatically. A fire risk exists if the appliance is covered or positioned incorrectly.
- Do not operate this appliance for any thing other than its intended use.
- This appliance is not intended for commercial use
- **This product is intended for household use only.** Do not use outdoors.
- This product is only intended for heating.
- **Warning:** It is hazardous for anyone other than a competent person to carry out any service or repair operation which involves the removal of a cover which gives protection against exposure to electrical parts.
- **Warning:** Children of less than 3 years should be kept away unless continuously supervised.
- Children aged from 3 years and less than 8 years shall only switch on/off the appliance provided that it has been placed or installed in its intended normal operating position and they have been given supervision or instruction concerning use of the appliance in a safe way and understand the hazards involved.
- Children aged from 3 years and less than 8 years shall not plug in, regulate and clean the appliance or perform user maintenance.
- **Warning:** This appliance is not intended for use by persons (including children) with reduced physical, sensory or mental capabilities, or lack of experience and knowledge, unless they have been given supervision or instruction concerning use of the appliance by a person responsible for their safety. Children should be supervised to make sure that they do not play with or use the appliance.
- **Warning:** In order to avoid overheating, do not cover the heater

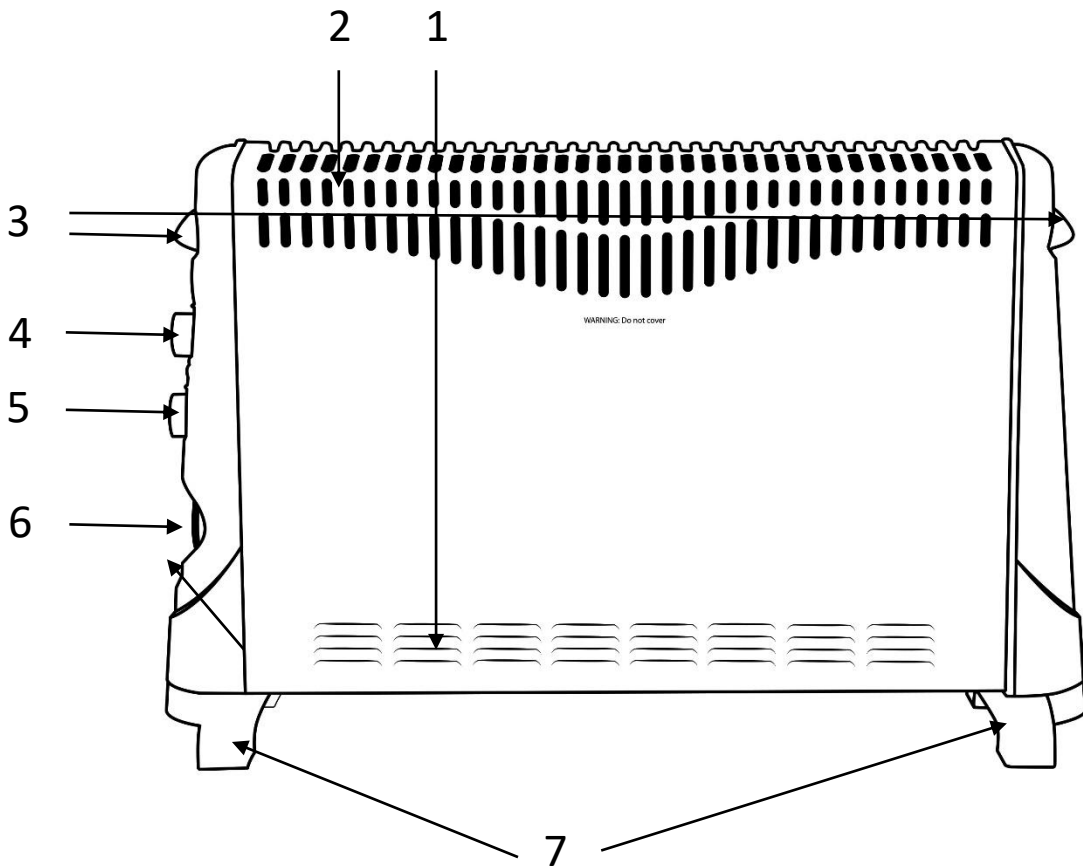
# SAFETY INSTRUCTIONS

## Electrical Safety

### **THIS APPLIANCE MUST BE PLUGGED INTO AN EARTHED SOCKET**

- Before switching on, make sure that the voltage of your electricity supply is the same as that indicated on the rating plate. This product is designed to operate on 220 - 240V AC; 50Hz. Connection to any other power source may damage the unit.
- This product may be fitted with a non re-wireable plug. If it is necessary to change the fuse in the plug, the fuse cover must be refitted. If the fuse cover becomes lost or damaged, the plug must not be used until a suitable replacement is obtained.
- If the plug has to be changed because it is not suitable for your socket, or becomes damaged in any way, it should be cut off and an appropriate plug fitted. This should be carried out by a qualified electrician. The plug removed must be disposed of safely, as insertion into a 13 Amp socket is likely to cause an electrical hazard.

# FEATURE DIAGRAM

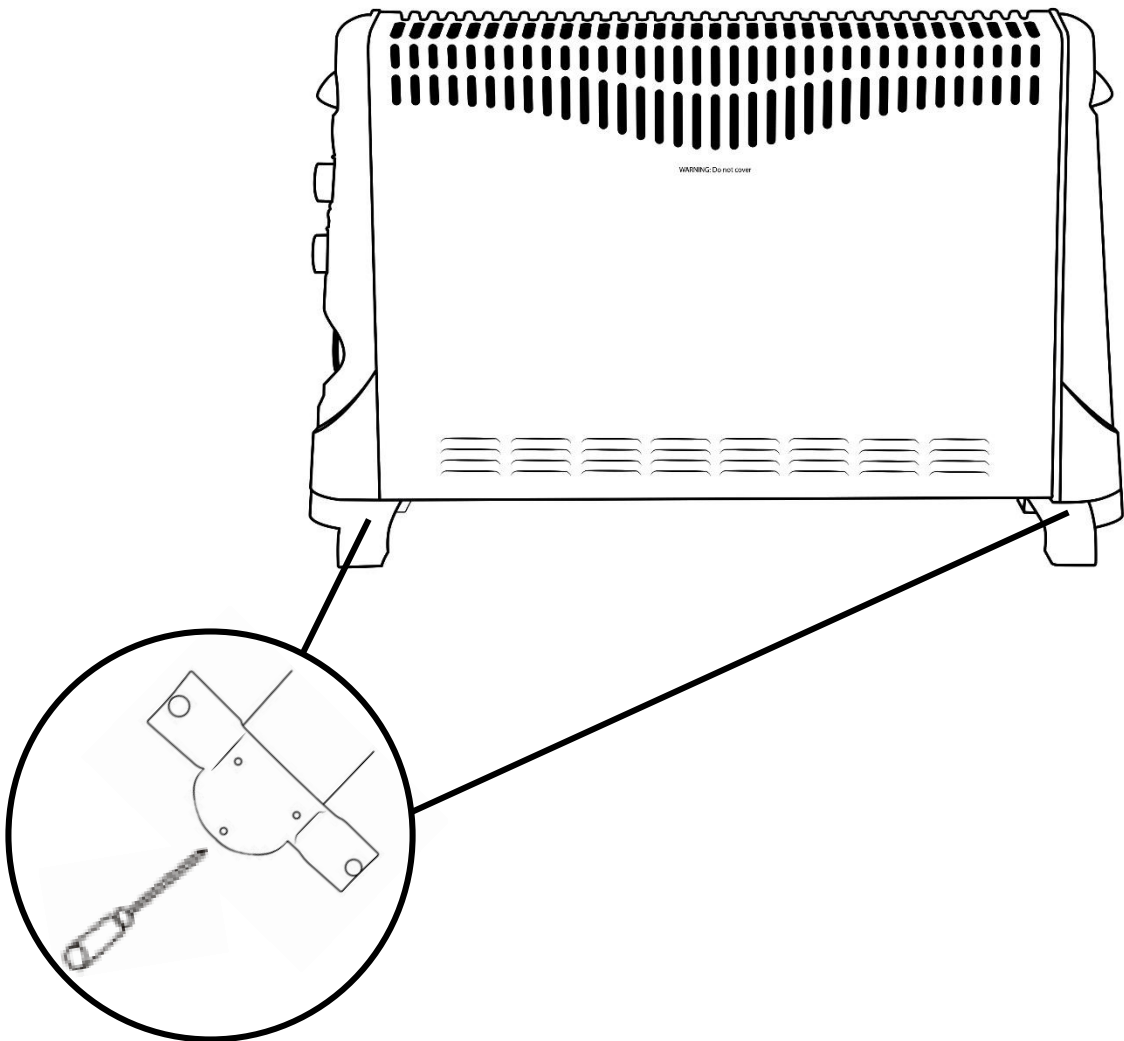


1. Air inlet
2. Air outlet
3. Handles
4. Power/heat setting switches
5. Thermostat control
6. Timer control (certain models)
7. Feet

For Customer Services & Spare Parts please call **0345 209 7461**  
Or visit us at <https://mda.russellhobbs.com>

# BASE ASSEMBLY

Before using the heater, the feet must be fitted to the unit. These are to be attached to the base of the heater using the 6 screws provided. Carefully lie the heater on its side and insert the screws, taking care to ensure that they are located correctly in the bottom ends of the plastic mouldings.



# USING YOUR CONVECTION HEATER

**Note: For models with a Timer control please see page 10 - 12**

1. Before connecting your appliance to the mains socket, position the appliance upright on the floor away from curtains, furniture or wall coverings.
2. Insert the mains plug into a suitable 13 Amp mains socket.
3. The appliance has 3 heating elements. Turn the Power Control dial to the required position

0 - Power OFF	Off
I - Low heat ON	750W
II - Medium heat ON	1250W
III - High heat ON	2000W

4. Turn the Thermostat Control to the desired position. It is recommended to select the highest position to pre heat the appliance. It will take 5 -10 minutes for the appliance to fully heat up, the time taken for the heater to heat the room it is located in will be dependent on the size of the room and the ambient temperature of the room. The indicator light will illuminate when the unit is working, but the light will cycle on and off when the thermostat control is set on a low setting and the heater is then maintaining the room temperature.

Note: this appliance will not operate if the thermostat has been set too low.

Note: If the thermostat dial is set toward the maximum setting and the power control is set to off then the indicator light will stay illuminated. No heat will be emitted as the power to the heating elements is off.



# USING YOUR CONVECTION HEATER

5. A small amount of smoke may be produced during first time use or when the appliance has not been used for a long period of time, this is normal and will quickly disappear.
6. When the room reaches the desired temperature, the heater will temporarily go off.
7. If the room temperature falls below the desired temperature, the heating elements will turn on again until the room temperature reaches the desired temperature

The appliance is fitted with an over heat protection system.

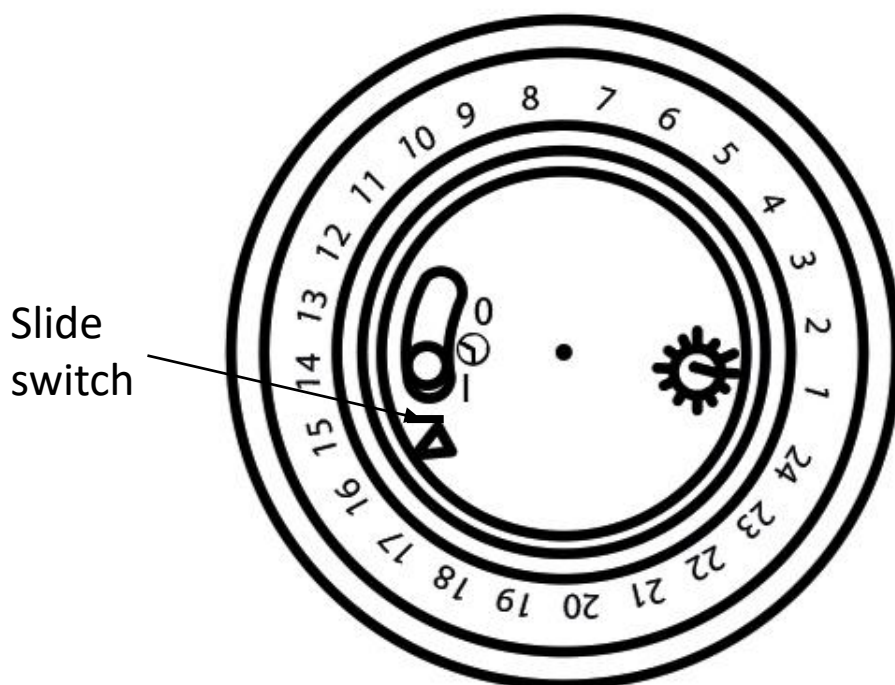
- Overheat protection - the power to the heating elements will automatically cut off if the temperature of the heating elements exceeds a certain limit. In the event of overheating, the heater will stop operating. Once the appliance has completely cooled the appliance will then resume operating as normal.

# USING THE TIMER (SELECTED MODELS)

**Note:** The timer clock will only operate when the product is connected to the mains supply.

## Operation modes

There are 3 operating modes on the timer; Manual operation, Timer operation and OFF. The operation mode is set using the slide switch on the timer



Manual operation (Position - I) - This setting allows power to the product uninterrupted by the timer, however other product controls will continue to function as normal.

Timer operation (Position - II) - This setting allows the heater to be controlled by the timer. The product will be switched on and off depending on the pre-set timer program.

# **USING THE TIMER (SELECTED MODELS)**

Off (Position - 0) - The unit is powered off even if the power controls are turned on.

## **Setting the time of day**

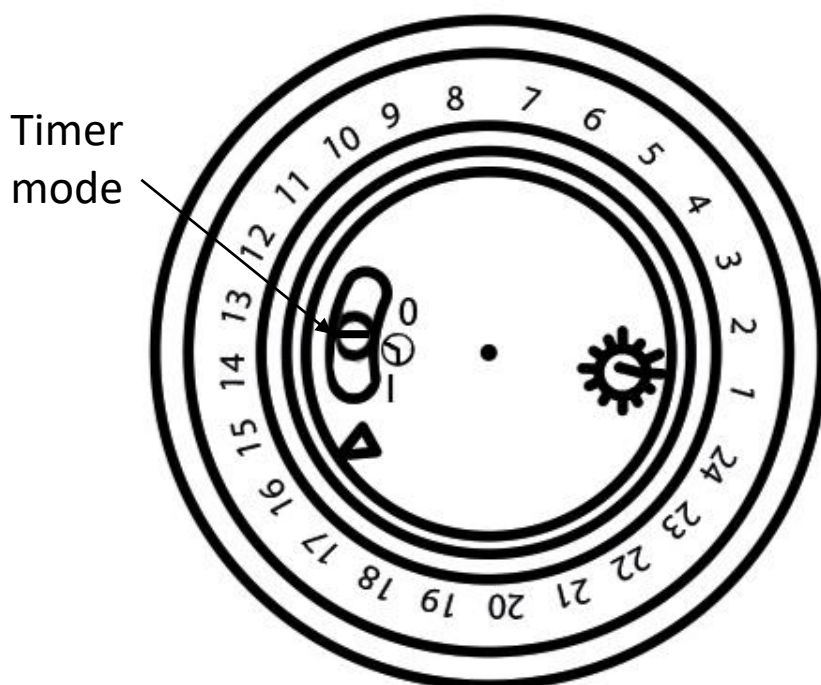
To set the time of day, rotate the timer dial clockwise (indicated by the arrow) until the correct time of day is opposite the reference mark. The 24-hour clock is used ; e.g. 4 pm is '16' (16:00hrs).

## **Setting the 'Auto' ON and OFF times**

To set the timer:

- Using your finger tip or the tip of a pencil, push in as many segments as necessary around the dial, according to the times you don't require heat. Each segment pushed in switches the heater OFF for that part of the hour. All other segments will be ON.
- You can select as many ON periods as you like, within the 24-hour day. The settings will repeat every day until changed.
- To change ON and OFF times, simply push in any 'ON' segments you wish to cancel and pull out new 'ON' segments as required.

# USING THE TIMER (SELECTED MODELS)



## **Switching to Timer**

Ensure the thermostat and/or the heat selector are set for the desired heat output. Check that the clock shows the correct time of day. Set the mode slide switch to ☀, the heater will switch ON and OFF according to the timer settings.

**Note: Remember to observe all safety warnings when operating the heater on auto setting unattended or attended. If the mains supply to the heater is interrupted, the timer clock will stop until power is restored ; reset the time of day to ensure correct ON and OFF times**

# CLEANING AND CARE

## **WARNING: Electrical Shock Hazard.**

Before you clean the appliance, disconnect the mains plug from the wall socket.

- Allow the appliance to cool down completely before cleaning.
- Do not immerse cord, plug or appliance in any liquid or allow moisture to come into contact with electrical parts.
- Clean the outer surface using a moist cloth and wipe over with a dry, soft cloth.
- Do not use harsh detergents, abrasives or spray on cleaners.
- Don't allow water to seep into the openings or come into contact with electrical connections.
- Allow sufficient drying time before operating again.
- Clean the air inlets and outlets regularly with a vacuum cleaner using the brush attachment (with regular use, at least twice a year).
- When the appliance is not in use. We recommend that, the heater is re-packed in its original packaging and stored in a cool, dry place.

# **PROBLEM SOLVING**

## **My appliance does not work when I turn it on:**

1. Check that your appliance is plugged in and the power is turned on at the mains socket.
2. Try another mains socket.
3. Check the appliance is in an upright position.
4. Check that the thermostat setting has not been set too low.
5. If the appliance still doesn't work, do not try to repair it yourself.
6. Check the timer setting (if your model has a timer)

## **If your appliance power is automatically cut off, follow the step below:**

1. Unplug your appliance from the mains socket and allow it to completely cool down.
2. Inspect your appliance. Clean the air inlet and air outlet with a vacuum cleaner if necessary. If there are any signs of physical damage (e.g. melting, or burning of the case), do not attempt to use the appliance. Please leave all maintenance work to qualified personnel.
3. Plug in the appliance and switch it on again. If it cuts off again, move the appliance to a better ventilated location.

# **GUARANTEE AND CUSTOMER SERVICES**

At Russell Hobbs, we take all our customer feedback seriously.

**Feel free to contact our Customer Service Team, on 0345 209 7461, who will be more than happy to assist you.**

This product is guaranteed for **12 months** from the date of the original purchase. If any defect arises due to faulty materials or workmanship, the faulty product must be returned to the place of purchase. Refund or replacement is at the discretion of the retailer.

**The following conditions apply:**

- The product must be returned to the retailer with the original proof of purchase.
- The product must be installed and used in accordance with the instructions contained in this instruction guide and any other instructions for use which are supplied.
- It must be used for domestic purposes only and for its intended use.
- This warranty does not cover wear and tear, damage, misuse or consumable parts.

**This does not affect your statutory rights.**

Imported by  
**G2S LIMITED**  
**WIGAN**  
**WN2 4AY**

For Customer Services & Spare Parts please call **0345 209 7461**  
Or visit us at **<https://mda.russellhobbs.com>**

# SPARE PARTS

To check the availability of the following spare parts, simply contact our friendly Customer Services team using the details provided at the bottom of this page.

Feet and screws

For Customer Services & Spare Parts please call **0345 209 7461**  
Or visit us at **<https://mda.russellhobbs.com>**



# CONNECTION TO THE MAINS SUPPLY

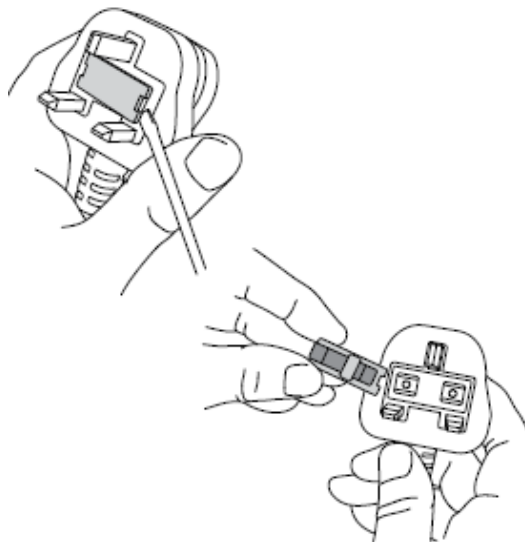
This appliance is designed to operate from a mains supply of 220-240V~50Hz.

Check that the voltage marked on the product corresponds with your supply voltage.

## **How to change the fuse**

1. Slot the end of a screwdriver into the recess in the fuse holder of the plug.
2. Pull the fuse holder upwards until free of the plug and slide the fuse out.
3. Replace the fuse and replace fuse holder, pushing down until locked into place.

**Important:** Only ever use a 13 amp fuse.



# SPECIFICATION

Model number RHCV4001  
 Rated voltage 220V - 240V ~ 50Hz  
 Power consumption 1800W - 2000W  
 Product dimensions (CMS) (H)45 x (W)69.5 x (D)20

Model number RHCV4002  
 Rated voltage 220V - 240V ~ 50Hz  
 Power consumption 1800W - 2000W  
 Product dimensions (CMS) (H)45 x (W)69.5 x (D)20

Model number		RHCV4001				
Item	Symbol	Value	Unit		Item	Unit
<b>Heat output</b>				<b>Type of heat input, for electric storage local space heaters only</b>		
Nominal heat output	$P_{nom}$	1.9	kW		manual heat charge control, with integrated thermostat	NA
Minimum heat output (indicative)	$P_{min}$	0	kW		manual heat charge control with room and/or outdoor temperature feedback	NA
Maximum continuous heat output	$P_{max,c}$	1.9	kW		electronic heat charge control with room and/or outdoor temperature feedback	NA
					fan assisted heat output	NA
<b>Auxiliary electricity consumption</b>				<b>Type of heat output/room temperature control</b>		
At nominal heat output	$e_{l,max}$	0	kW		single stage heat output and no room temperature control	No
At minimum heat output	$e_{l,min}$	0	kW		Two or more manual stages, no room temperature control	No
In standby mode	$e_{l,SB}$	0	kW		with mechanic thermostat room temperature control	Yes
					with electronic room temperature control	No
					electronic room temperature control plus day timer	No
					electronic room temperature control plus week timer	No
				<b>Other control options (multiple selections possible)</b>		
					room temperature control, with presence detection	No
					room temperature control, with open window detection	No
					with distance control option	No
					with adaptive start control	No
					with working time limitation	No
					with black bulb sensor	No
Contact details	G2S LIMITED WIGAN, WN2 4AY					

# SPECIFICATION

Model number		RHCV4002			
Item	Symbol	Value	Unit	Item	Unit
<b>Heat output</b>			<b>Type of heat input, for electric storage local space heaters only</b>		
Nominal heat output	$P_{nom}$	1.9	kW	manual heat charge control, with integrated thermostat	NA
Minimum heatoutput (indicative)	$P_{min}$	0.0002	kW	manual heat charge control with room and/or outdoor temperature feedback	NA
Maximum continuous heat output	$P_{max,c}$	1.9	kW	electronic heat charge control with room and/or outdoor temperature feedback	NA
				fan assisted heat output	NA
<b>Auxiliary electricity consumption</b>			<b>Type of heat output/room temperature control</b>		
At nominal heat output	$e_{l,max}$	0	kW	single stage heat output and no room temperature control	No
At minimum heat output	$e_{l,min}$	0	kW	Two or more manual stages, no room temperature control	No
In standby mode	$e_{l,SB}$	0	kW	with mechanic thermostat room temperature control	Yes
				with electronic room temperature control	No
				electronic room temperature control plus day timer	No
				electronic room temperature control plus week timer	No
			<b>Other control options (multiple selections possible)</b>		
				room temperature control, with presence detection	No
				room temperature control, with open windowdetection	No
				with distance control option	No
				with adaptive start control	No
				with working time limitation	No
				with black bulb sensor	No
Contact details	G2S LIMITED				
	WIGAN, WN2 4AY				



# Russell Hobbs

For Customer Services & Spare  
Parts please call **03452097461**  
Or visit us at  
**<https://mda.russellhobbs.com>**

Revision 1  
Model Number:  
RHCVH4001  
RHCVH4002



This symbol is known as the 'Crossed-out wheellie bin Symbol'. When this symbol is marked on a product/batteries, it means that the product/batteries should not be disposed of with your general household waste. Only discard electrical/electronic/battery items in separate collection schemes, which cater for the recovery and recycling of materials contained within. Your co-operation is vital to make sure the success of these schemes and for the protection of the environment. For your nearest disposal facility, visit [www.recycle-more.co.uk](http://www.recycle-more.co.uk) or ask in store for details. We reserve the right due to possible changes to design to alter the instruction manual without prior notice.