

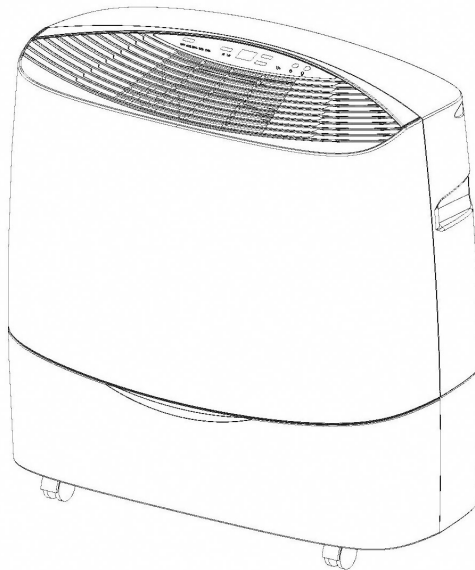


**Pro Range
Antibacterial Digital Dehumidifier with
Humidistat and Large Tank**

PD30E – 30 litres per day

PD45E – 45 litres per day

USER MANUAL



Thank you for choosing ElectriQ

**Please read this user manual before using our innovative Dehumidifiers
and keep it safe for future reference.**

Visit our page www.electriQ.co.uk for our entire range of Intelligent Electricals

Contents

Safety Instructions	2
Features	2
Installation	5
Parts and Control Panel	6
Operation reference guide	8
Positioning	10
Water Drainage	11
Care and Maintenance	12
Troubleshooting	13
Technical Data	15

SAFETY INSTRUCTIONS

Important

- Carefully read the instructions before operating the unit. If used on commercial premises the site manager should ensure that the operator has access to the user manual and understands the operation of the unit
- This appliance is for indoor use only and intended for use in a commercial or domestic environment only. Any other use is not recommended by the manufacturer and may cause fire, electrical shocks or other injury to operator or property.
- Rating: This unit must be only connected to a 220-240 V / 50 Hz earthed outlet.
- Installation must be in accordance with regulations of the country where the unit is used.
- If you are in any doubt about the suitability of your electrical supply have it checked and, if necessary, modified by a qualified electrician.
- This dehumidifier has been tested and is safe to use. However, as with any electrical appliances - use it with care.
- Disconnect the power plug from socket before dismantling, assembling or cleaning.
- Avoid touching any moving parts of the appliance.
- Never insert fingers, pencils or any other objects through the guard
- This appliance is not intended for use by persons (including children) with reduced physical, sensory or mental capabilities. It is also not intended for use by those with a lack of experience and knowledge, unless they have been given supervision or instruction concerning the use of the appliance by a person responsible for their safety.
- Do not leave children unsupervised with this appliance.
- Do not clean the unit by spraying it or immersing it in water.
- Never connect the unit to an electrical outlet using an extension cord. If a power outlet is not available, one should be installed by a qualified electrician.
- Never operate this appliance if the cord, power adapter or plug is damaged. Ensure the power cord is not stretched or exposed to sharp object/edges.
- A damaged power supply cord should be replaced by the manufacturer or a qualified electrician in order to avoid a hazard.
- Any service other than regular cleaning or filter replacement should be performed by an authorized service representative. Failure to comply could result in a voided warranty.
- Do not use the appliance for any other purposes than its intended use.
- Do not tilt the unit while in use. The unit is designed to work only in vertical position.
- This dehumidifier must always be stored and transported upright, otherwise irreparable damage may be caused to the compressor; if in doubt we suggest waiting at least 24 hours before starting the unit.
- Avoid restarting the dehumidifier unit unless 5 minutes have passed since being turned off. This prevents damage to the compressor.
- Never use the mains plug as a switch to start and turn off the dehumidifier. Use the

provided ON/OFF switch located on the control panel.

- Always place the unit on a dry and stable surface.
- The appliance should not be installed in laundry or wet rooms where the humidity is higher than 85% RH
- Do not dry laundry above the unit to prevent water entering the dehumidifier. Place the laundry at least 1 meter away from your dehumidifier.
- Do not place the unit next to heat sources (e.g. electrical fires, fireplaces, etc.)
- Avoid mishandling the dehumidifier. Dropping, throwing the unit can cause damage to its internals and increases the risks of operating it.
- Do not store or use gasoline, petrol, paint, solvents or other flammable vapors or liquids in the vicinity of this dehumidifier or any other appliance.
- This dehumidifier must not be used in spaces where there is a high concentration of gases, solvent or other volatile organic compounds; in very dusty environments; in any domestic, commercial or industrial environment where air composition is flammable.

Energy Saving and Unit Safety Protection Tips

- Do not cover or restrict the airflow from the outlet or inlet grills.
- For maximum performance the minimum distance from a wall or objects should be 30 cm
- Keep the filters or grills of the unit clean. Under normal conditions, filters or grills should only need cleaning once every three weeks (approximately).

Since the filters remove airborne particles, more frequent cleaning maybe necessary, depending on the air quality. Vacuum and wash the mesh filters with hot soapy water and dry them before placing them back in the unit.

Quick visual guide on where not to use your dehumidifier



Exposed to the weather outdoors



Near water



If their power cable wires are frayed or cut



Where small children may be left unattended



If an extension lead may become overloaded



Where the power cable may be damaged



On a slope or uneven surface



Where there is risk of fire or close to a naked flame



Where it may be damaged by chemicals



Where there is a risk or interference by foreign objects



This product is not made for DIY repair



If there is a risk of water falling on the unit

Features

Your ElectrIQ dehumidifier belongs to the ElectrIQ Pro range domestic / commercial of dehumidifiers featuring best combination of

1. Efficient, easy to use to use controls
2. Great for larger living areas such as spacious flats, offices and homes and for commercial applications
3. Designed to complement any modern space
4. Quiet and turbo fan speed selection
5. Castors and recessed handles for improved mobility
6. Intelligent CPU controlled digital humidistat with continuous mode, 4 humidity settings 40%, 50%, 60%, 70% RH and room humidity and temperature display
7. Quiet vs turbo fan operation ensures the right balance between quiet operation and maximum dehumidification
8. 24 hours stopping timer
9. Tank operation or permanent drainage option
10. Tank full alarm & auto-stop function
11. Antibacterial filter cleans the air

Applications:

Homes, offices, garages, cellars and basements, stores, caravans, museums, libraries etc.

Installation

Remove any water from the water tank before starting the unit. In order to save energy, do not open windows or doors while the unit is running. Place the unit on a hard / flat surface. On first use run the unit continuously for 24 hrs on continuous mode.

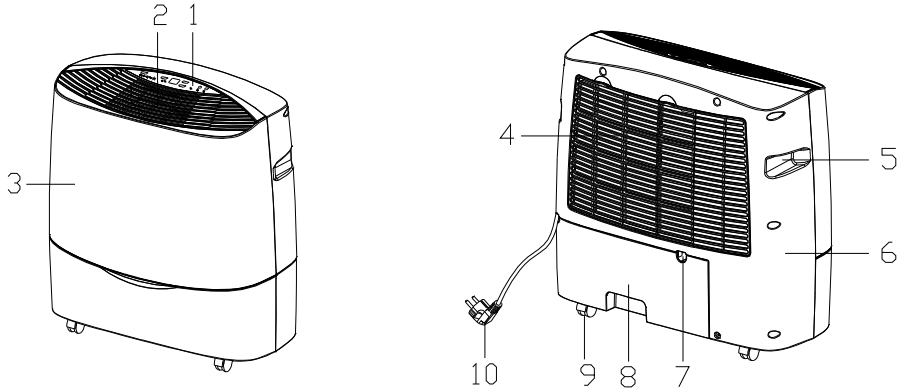
To reduce noise levels:

Place a piece of carpet or a rubber mat under the unit to reduce any vibrations while the unit is running.

Electri**IQ PRO** dehumidifiers make use of compressor technology to extract water from the environment. The compressor dehumidifiers are ideal for normal domestic, office or commercial applications in heated spaces during the winter months and they operate very economically when temperatures are above 12-15°C.

PD30E / PD45E are easy to move around on castors. They are intelligent dehumidifiers which will extract unwanted humidity while saving money due to their humidistat and power saving logic. Electri**IQ Pro** range of dehumidifiers features adjustable humidistat in increments of 10% from 40-70% RH insuring your space is not dried too much and power is not wasted.

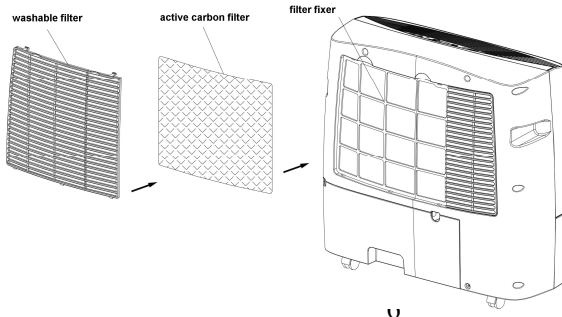
PARTS



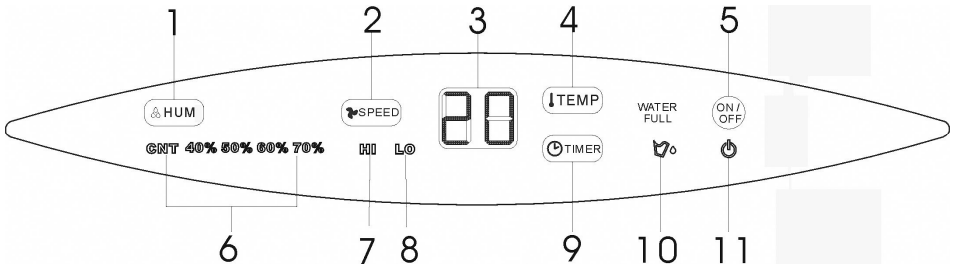
- 1. Control panel
- 2. Dry Air Outlet
- 3. Front case
- 4. Air Inlet and Filters
- 5. Recessed Handle
- 6. Rear case
- 7. Permanent drainage
- 8. Water tank
- 9. Castors
- 10. Power cord and plug (varies according to region)







Filters

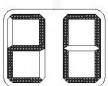
- 1. Washable mesh filter
- 2. Activated carbon filter (Optional)



CONTROL PANEL



- (1)  humidity control keys 40-70% RH and continuous mode (**CNT**)
- (2)  **fan Speed** settings Key (High/ Low)
- (3)  **Humidity and Temperature** display
- (4)  **Temperature** display key
- (5) **Power ON / OFF** key
- (6) **Humidity selection lights** 40% 50% 60% 70% and CNT (continuous mode)
- (7) **HI** Turbo fan speed indicator light
- (8) **LO** Quiet fan speed indicator light
- (9)  **Timer selection key** 0-24 hrs
- (10) **Tank Full light**  red if tank full or not properly in place
- (11) **Power on** led light



Humidity Level & Timer 2 digit display

The two digits led indicator performs the following functions:

1. When the unit is plugged in, it will indicate the room humidity level
2. When the humidity level is selected, it will indicate the set humidity than will revert to room humidity display after few seconds
3. When the stop timer is programmed will show the set timer than revert back to humidity display
4. When Temp key (4) is pressed will show the room temperature than will revert back to room humidity display after 12 seconds

Notes:When humidity level is outside the normal operational parameters will show LO/HI. If ambient humidity is lower than 35%, it will show "LO"
If ambient humidity is higher than 95%, it will show "HI"

Operation Reference Guide

Power Key (5) Press to turn the dehumidifier **ON** or **OFF**

Humidity Settings Key (1) can set the target humidity level within a range of 40% RH (Relative Humidity) to 70% RH in 10% increments. Respective target humidity indicator light (6) will be lightened. Compressor will work until desired humidity is measured then will stop unit working economical fan mode only. The fan will move the air around the room ensuring the entire air in the room is processed and humidity correctly measured.

Ideal domestic / office environment settings are 50-60%. For drier air/ laundry mode press the key and set to a lower percent value (e.g. **CNT** or 40%).

For allowing more moisture in the air, press the humidity control key and set to a higher percent value (e.g. 60-70%).

The humidity control key will cycle from 40 to 70% RH and back to **CNT**.



CNT Continuous/ Laundry Mode: for the dehumidifier to operate continuously with humidistat disabled with maximum water extraction until the tank is full set the humidity level **CNT**. Note that is permanent drainage pipe is fitted the unit will not stop operation.

Humidity set to 40% RH; set to achieve room humidity of around 40% good for quick drying boost on initial run or emergencies, not recommended for long normal operation in domestic/ office environment

Humidity set to 50% RH; recommended setting, great for domestic operation and dry storage

Humidity set to 60% RH; great for personal comfort and applications where 50% RH is considered too dry

Humidity set to 70% RH; ideal for unoccupied properties or where economical run is needed without the need to go drier than 70% RH

Timer  (9) key enables 0-24 hours stopping timer. This will remain unaffected if unit goes in defrost mode. To cancel start press the timer key (9) function until timer is canceled. When selecting '4 hours' for example the unit will stop operating after 4 hours with selected humidity / fan settings. Tank full before the selected time will stop the unit. This setting is ideal for drying laundry. No selection made will mean the unit operates continuously subject to tank full stopping the unit earlier. Combined with any other settings select the  key to achieve the balance between highest amount of humid air being processed (high air low - fan light on **HI**) and quiet operation (low fan speed - fan light on **LO**)

Intelligent dehumidification and power saving

Your ElectriQ dehumidifier features an intelligent micro CPU that ensure maximum water extraction with minimum power use for the selection made.

The unit will try to maintain humidity level selected in the space where is placed by turning off the compressor when the desired humidity is reached. Note that according to the size of the enclosed environment where is used, obstacles in the direct flow, extra humidity being added in, the settings selected, as well as other environmental factors the results may vary.

Other features and Indicators

Tank Full Light



red light will be on and the unit will beep when the tank is ready to be emptied, or when the tank is removed or not replaced in the proper position. The water level control switch shuts off the dehumidifier when the tank is full, or when the tank is removed or not replaced in the proper position. Empty to resume normal operation.

Auto Defrost

When frost builds up on the evaporator coils, the compressor will cycle off and the unit will go in defrost mode.

When the unit is running in a room with temperature between 5°C and 12°C unit may enter the defrost mode about once every 30 minutes.

When the unit is running in a room with temperature between 12°C and 20°C, unit may enter the defrost mode about once every 45 minutes.

Normal operation will resume after defrost mode. We advise not to use the unit in unheated rooms where temperature can go close or below 5°C as the evaporator at the back of the unit may freeze and damage the unit.

Humidistat control and fan/ compressor operation

When the selected humidity is lower by than the user selected humidistat setting; the dehumidifier's compressor will be shut off automatically but the fan will still move to ensure air is not stale in the room. The unit will use only a minimal amount of energy in fan mode.

When the humidity is going back to being equal or higher than user selected humidity the compressor will restart once the 3 minutes delay compressor protection expires.

Power

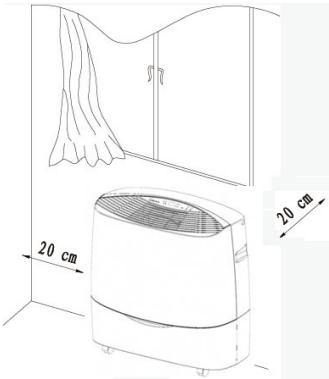
After the unit has stopped, it is not recommended to resume operation in the first at least 10 minutes. This is to protect the compressor. Operation can resume after this period lapse. When the unit is restarted there is a 3 minutes delay before compressor will start.

Compact portable design and powerful extraction

The **ElectriQ PRO dehumidifier range** is built to be compact and lightweight for its capacity. The casters on the bottom of the unit make it easy to move from room to room.

Your dehumidifier is an advanced micro-CPU controlled devices able of self-diagnostics. The LCD display May also show the error and protections codes.

Positioning the dehumidifier



A badly positioned dehumidifier will have little effect in effectively drying the place. In positioning the dehumidifier please ensure circulation of air in not restricted around the unit. Please observe figure on the left in installing the unit.

Allow at least 20 cm space around the unit.

Place the unit on a flat dry surface. Use in an enclosed area for maximum efficiency. Close all doors, windows to create an effective operating environment. Do not use outdoors.

Your ELECTRIQ dehumidifier will begin to protect your space from the harmful effects of excessive moisture as soon as it is turned on. Excess moisture is dispersed throughout your home. For this reason, the dehumidifier should be positioned in a central and clear location so that it can draw this moist air towards it from all over the home. A warm hallway or landing is an excellent position for your dehumidifier. If possible, leave interior doors ajar to allow air circulation.

Alternatively, if you have a serious problem in one area you can begin by positioning the dehumidifier there and moving it to a more central location at a later date. For the most effective use, run your dehumidifier with external doors and windows kept closed. Please note the unit should not be placed directly against a radiator or other heat source.

When positioning your ELECTRIQ dehumidifier, ensure that it is placed securely on a level surface clear of any obstacle that may limit the air movement.

Place the dehumidifier on a flat dry surface.

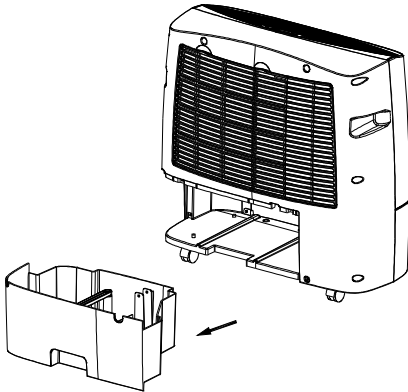
Note: Do not force castors to move over carpet or uneven surfaces, nor move the unit with water in the tank as it may tip over and spill water.

Water Drainage

When the water tank is full, the unit will stop automatically. When this happens the **tank full** red code will show on the control panel. Compressor will turn itself off as well.

Note: Only empty the water tank when is full or before moving or storing the unit. There are two ways to dispense collected water.

Use the tank.



When the tank is full, the unit will automatically stop running, and the Full indicator light will flash.

Turn around the unit and slowly pull out the tank. Grip the middle handle securely, and carefully pull out straight so water does not spill. Do not rest the tank on the floor because the bottom of the tank is uneven and tank will fall and cause the water to spill. Empty the water tank and reinsert it into the dehumidifier. The tank must be in place and securely seated for the dehumidifier to operate again.

The dehumidifier can be re-started when the tank is restored in its correct position.

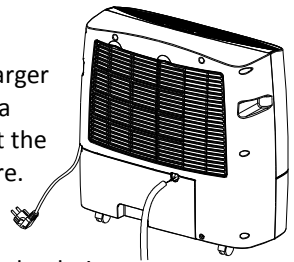
NOTES:

When you remove the bucket, do not touch sensors or any parts which are situated behind tank. Doing so may damage the product. Be sure to push the tank gently all the way into the unit. Banging the bucket against anything or failing to push it in securely into place may cause the unit not to operate.

Do not remove the float from the water tank. The water full sensor will no longer be able to detect the water level correctly without the float and water may leak from the water tank.

2. Continuous draining

Water can be automatically plumbed in or drained into sink, a larger recipient or through the wall into an outside drain by attaching a pipe to the unit (12 mm internal diameter) (not included). Insert the pipe into the drain outlet at the back of the unit as shown in here. Make sure the connection between pipe and the drain outlet is tight and does not leak. Then direct the pipe to a suitable drainage point. This unit uses gravity fall to dispose water hence the drain



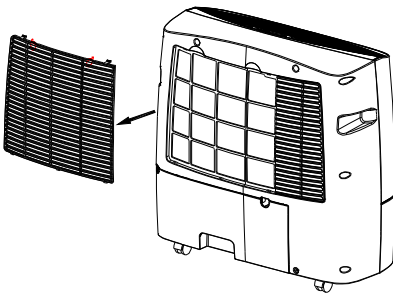
should be lower than the unit water outlet. Put the tank back. Be sure to run the water pipe downward and let the water to flow out smoothly. Do not kink or bend the pipe.
NOTE: When the continuous drain feature is not being used, remove the drain hose from the outlet. The permanent drain can be used in conjunction with water pump (e.g. when draining a cellar) to lift the water upwards.
In cold conditions please ensure that pipe is not freezing up.

Care and Maintenance

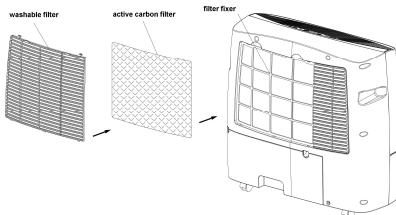
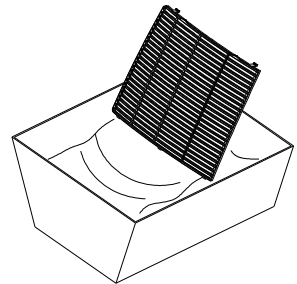
Always shut off the unit and unplug from the mains before cleaning or performing any maintenance. When it is not in use for long periods it is advisable to remove the plug from the power socket. Do not use chemical solvents (such as benzene, alcohol or gasoline) as they may cause irreversible damage to the unit.

Clean the Grille and Case and Maintain the filters

Use water and a mild detergent. Do not use bleach or abrasives. Do not splash water directly onto the main unit. Doing so may cause an electrical shock and can lead to the insulation to deteriorate or cause the unit to rust.



The air intake and grilles get soiled easily, so use a vacuum attachment or soft brush to clean. If the mesh filter is dirty Hoover it, if it is heavily soiled wash it with warm soapy water and dry thoroughly before reinserting it in the unit.



Clean the carbon and the mesh filter with a vacuum cleaner or soft-brush
Replace the filter in position as shown in the diagram above

Note: Never use the unit without the antibacterial mesh dust filter. The active carbon filter is optional and should be replaced if necessary after 1-1 ½ years of usage.

Clean the water tank

Every few weeks, clean the tank to prevent growth of mould, mildew and bacteria. Partially fill the tank with clean water and add a little mild detergent. Swish it around in than empty the tank and rinse.

NOTE: Do not use a dishwasher to clean the tank. After cleaning and drying the tank must be reinserted securely into dehumidifier in order to restart operation

Frequently Asked Questions

Why doesn't the dehumidifier seem to extract much water if the temperature is low?

This is a compressor dehumidifier which works best in temperatures above 15°C. If the temperature is low and the air is dryer than the setting on the humidistat the unit will not extract water. If you want to use a dehumidifier for outside buildings, unheated properties, boats or garages please check our desiccant range.

Why doesn't the unit work /or stops suddenly?

The water tank may be full or displaced. To rectify: empty the tank and carefully place the tank back in the unit.

Also the unit may be running in dehumidifying mode with a low room temperature. Please check if the room temperature is lower than 5°C. If so, the unit will stop working while in dehumidifying mode (unit may be defrosting).

The ambient operating range is between 5°C and 32°C with a relative humidity ranging from 40% to 80%. For maximum efficiency use the unit between 15°C and 32°C.

Sometimes cold and/or hot air comes out from the air outlet grill, why?

When the unit is in dehumidifying mode it absorbs humid air from room and freezes it to reduce the humidity.

During the cold cycle there should be cold air coming out of the unit

During the hot cycle hot dry air should be coming out of the outlet grill.

Troubleshooting

Issue	Cause	Solution
Hot or cold air being produced	Normal Operation	When the unit is in dehumidifying mode it absorbs humid air from room and freezes it to reduce the humidity. During the cold cycle there should be cold air coming out of the unit During the defrost cycle hot dry air should be coming out of the outlet grill.
Unit does not operate	Is the plug properly inserted in the socket?	Insert the plug into the socket and turn the switch on.

	Does the tank full indicator is red?	Tank full, float displaced or tank not properly inserted. Empty tank, check float and make sure tank is properly inserted in unit.
Dehumidifier does not extract water	Is the unit set to a humidity level lower than the one in the room?	Set the humidity level on the humidistat bellow current humidity reading.
	Is the temperature too low for water extraction to be efficient?	Increase temperature in the room or reposition the unit.
	Is any intake grill or discharge blocked? Is the unit too close to walls.	Remove obstructions and restart the unit. Ensure a distance of at least 20 [cm between the unit & walls
Airflow seems weak	Is filter dirty or clogged?	Please service the filters regularly as per user manual.
Unit is noisy during operation	Is the unit on uneven surface?	Please place on flat horizontal surface.
	Is filter clogged?	Please service the filters regularly as per user manual.
Humidity set lower than the room humidity and unit not extracting	Humidity sensor error	Unplug the unit and plug it back in. If error repeats, call for service centre.
Incorrect temperature	Temperature sensor error	Unplug the unit and plug it back in. If error repeats, call for service centre.
Unit stops regularly	Unit is defrosting	Allow the unit to automatically defrost. The protect will clear after the unit self defrosts. Increase temperature in the room if this repeats too often
Tank full red light	Water tank full notification	Tank is full or is not in the right position-- Empty the tank and replace in the right position.
Any other malfunctions will need to be reported to ElectrIQ service centre. Do not attempt unauthorised repairs as these may invalidate the warranty.		

Technical data

Model no.	PDE30E	PDE45
Power supply	220-240V~, 50Hz	
Dehumidification capacity	30 L/day	45 L/day
	at 30°C, RH 80%	
Power /Amps consumption	670 W/ 3.0 A	830 W/ 3.8 A
Air volume (max.)	300 m ³ /h	
Compressor	Rotary	
Refrigerant	R410a	
Working range	5 ~ 35°C	
Water tank	4 L	
Size (WxDxH)	515 x 238 x 510 mm	
N.W.	15 kg	18.5 kg

All information provided is for reference only. Products specifications may change due to continuous product development.

Disposal: Do not dispose this product as unsorted waste. Collection of such waste must be handled separately as special treatment is necessary.

Recycling facilities are now available for all customers at which you can deposit your old electrical products. Customers will be able to take any old electrical equipment to participating sites run by their local councils. Please remember that this equipment will be further handled during the recycling process, so please be considerate when depositing your equipment. Please contact the local council for details of your local household waste recycling centres.



ElectriQ UK SUPPORT

www.ElectriQ.co.uk/support

ELECTRIQ UK SUPPORT

Please, for your own convenience, make these simple checks before calling the service line.

1. Has the unit been standing upright? (for at least 2 hrs)
2. Is the unit plugged into the mains? Is the fuse OK?
3. Switch the unit on and wait three minutes to see if the issue is resolved.
4. Check whether the water tank is full.
5. Have you followed the troubleshooting procedures?

If the unit still fails to operate call: 0871 620 1057 or fill the online form

Office hours: 9AM - 5PM Monday to Friday

www.ElectriQuk.com

Unit 2, The Nursery, Berristow Lane, South Normanton, Derbyshire, DE55 2FX

If the unit still fails to operate call: 0871 620 1057 or complete the online form

Office hours: 9AM - 5PM Monday to Friday

**www.ElectriQ.co.uk
Unit 2, The Nursery
Berristow Lane
South Normanton
Derbyshire, DE**