

electriciQ

P16HP

P18HP

PORTABLE AIR CONDITIONER WITH HEATPUMP



USER MANUAL

Thank you for choosing ElectriciQ

Please read this user manual before using this innovative Air Conditioner and keep it safe for future reference.

Visit our page www.electriQ.co.uk for our entire range of Intelligent Electricals

CONTENTS

1. SAFETY INSTRUCTIONS	3
2. FEATURES AND PARTS LIST	4
3. INSTALLATION	6
4. OPERATION AND SETTINGS	8
5. WATER-DRAINAGE	10
6. MAINTENANCE	11
7. TROUBLESHOOTING	12
8. APPENDIX	13

SAFETY INSTRUCTIONS

Important!

- Carefully read the instructions before operating the unit
- This appliance is for indoor use only.
- Rating: This unit must be only connected to a 220-240 V / 50 Hz earthed outlet.
- Installation must be in accordance with regulations of the country where the unit is used.
- If you are in any doubt about the suitability of your electrical supply have it checked and, if necessary, modified by a qualified electrician.
- This air conditioner has been tested and is safe to use. However, as with any electrical appliances - use it with care.
- Disconnect the power plug from socket before dismantling, assembling or cleaning.
- Avoid touching any moving parts of the appliance.
- Never insert fingers, pencils or any other objects through the guard
- This appliance is not intended for use by persons (including children) with reduced physical, sensory or mental capabilities. It is also not intended for use by those with a lack of experience and knowledge, unless they have been given supervision or instruction concerning the use of the appliance by a person responsible for their safety.
Do not leave children unsupervised with this appliance.
- Do not clean the unit by spraying it or immersing it in water.
- Never connect the unit to an electrical outlet using an extension cord. If an outlet is not available, one should be installed by a qualified electrician.
- Never operate this appliance if the cord or plug is damaged. Ensure the power cord is not stretched or exposed to sharp object/edges.
- A damaged supply cord should be replaced by the manufacturer or a qualified electrician in order to avoid a hazard.
- Any service other than regular cleaning or filter replacement should be performed by an authorized service representative. Failure to comply could result in a voided warranty.
- Do not use the appliance for any other purposes than its intended use.
- **The air conditioner unit must always be stored and transported upright, otherwise irreparable damage may be caused to the compressor; if in doubt we suggest waiting at least 24 hours before starting the unit.**
- Avoid restarting the air conditioning unit unless 3 minutes have passed since being turned off. This prevents damage to the compressor.
- Never use the mains plug as a switch to start and turn off the air conditioning unit. Use the provided ON/OFF switch located on the control panel.
- Always place the unit on a dry and stable surface.
- The appliance should not be installed in laundry or wet rooms

Energy Saving and Unit Safety Protection Tips

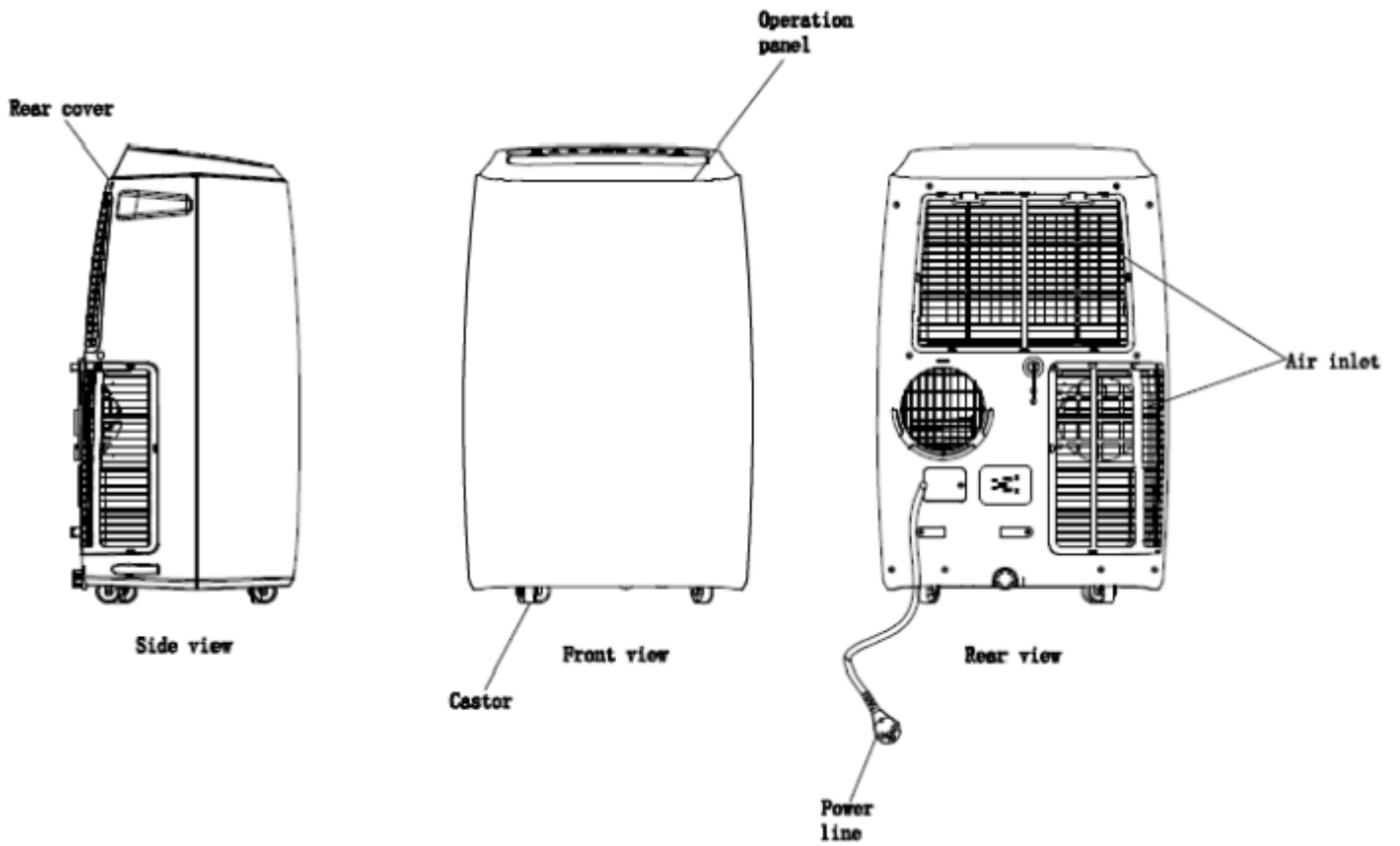
- Do not cover or restrict the airflow from the outlet or inlet grills.
- For maximum performance the minimum distance from a wall or objects should be 50cm.
- Keep the filters clean. Under normal conditions, filters should only need cleaning once every three weeks (approximately). Since the filters remove airborne particles, more frequent cleaning maybe necessary, depending on the air quality.
- For the initial startup set the fan speed to maximum and the thermostat to 4-5 degrees lower than the current temperature. After, set the fan switch to low and set the thermostat to your desired setting.
- To protect the unit we recommend not using the cooling function when the ambient temperature is higher than 35⁰C. To protect the unit we recommend not using the heating function when the ambient temperature is lower than 7⁰C, use electrical heating to raise the temperature above 10⁰C than start unit.

FEATURES AND PARTS LIST

Features

- Full climate control, cooling, heating, fan and dehumidifier
- Self-evaporative system - no external water tank needed
- Powerful but compact
- LED screen, indicates temperature and operation mode
- Enhanced design with hot air outlet positioned higher – this allows for improved performance with the use of a short hose
- 24 hour programmable timer function – allows you to choose when the unit operates.
- 3 speed fan Low, Medium and High for best balance between quiet operation and maximum airflow
- Compressor protection technology

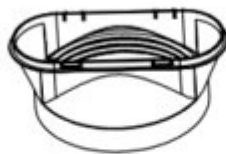
Parts list



ACCESSORIES



Exhaust hose



Fishtail connector



Window Kit



Remote control



Exhaust fan outlet

INSTALLATION

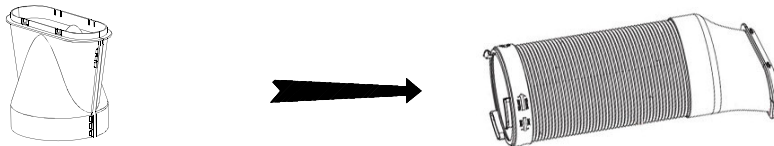
1. Installation

Warning: Before using this unit, please keep it upright for at least 3-4 hours.

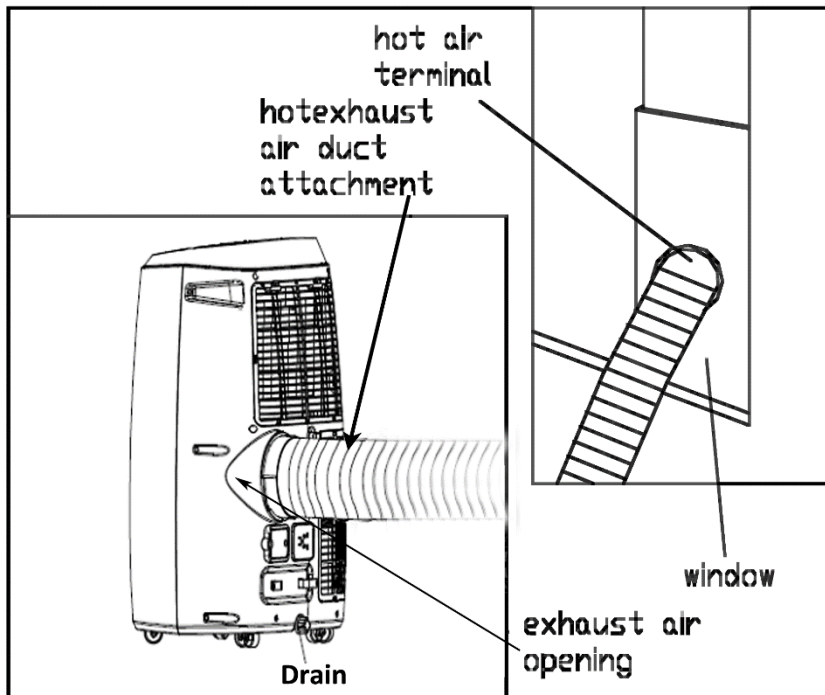
This unit can easily be moved from one room to another.

While moving the unit please note that it must always be kept upright and then placed on an even surface.

1. Assemble the fishtail connector on to the hose



2. Assemble the exhaust hose

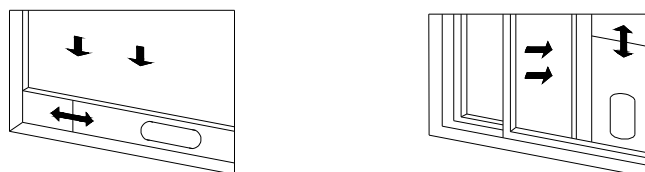


3. Extend one head of the hose and screw it into the assembled adaptor at the back of the unit anti-clockwise.

Note: to screw it into place should take no less than three rotations.

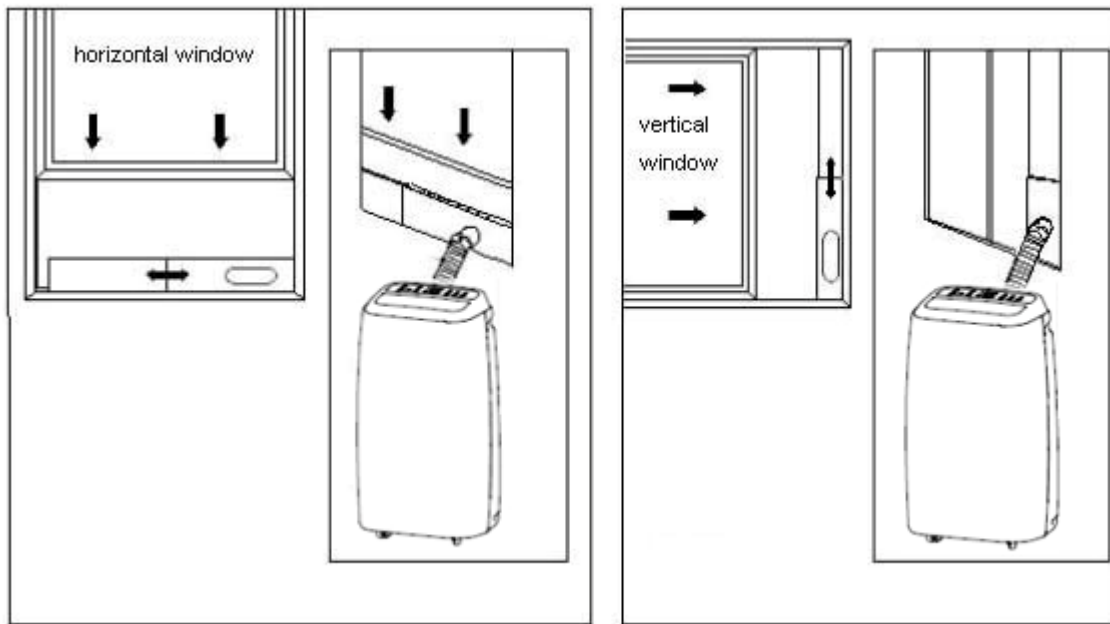
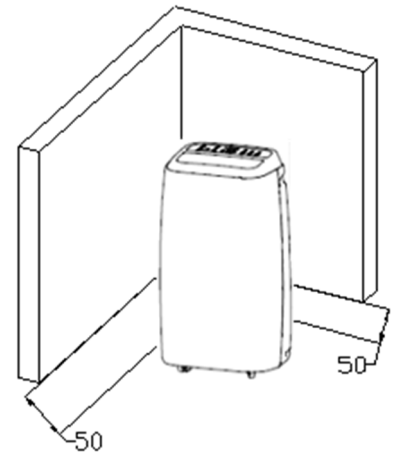
4. Installation of window kits:

Partially open the window and then fix the window kit to the window



5. Make sure the unit is upright and there are no obstructions to the air inlets and outlet grill

6. Fix the other end of the hose to the air-outlet window kit



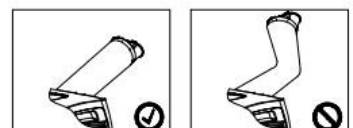
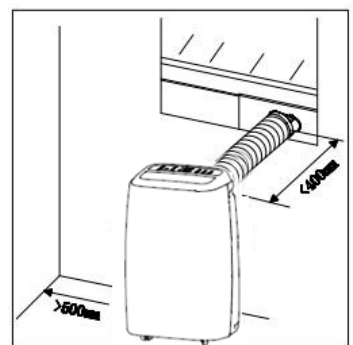
Note: The window kit is only designed to be installed with sliding or sash windows or doors. The window kit is not designed or to be used with any other style of windows. However the fish tail adaptor can be used with most windows / doors. When using the cooling mode ensure that the opening left is as small as possible. The best form of installation is through a wall duct. Please note that the unit will need to be vented out in heating mode, ideally through the wall. By properly venting you expel cold air from your room while efficiently heating it.

Important safeguards

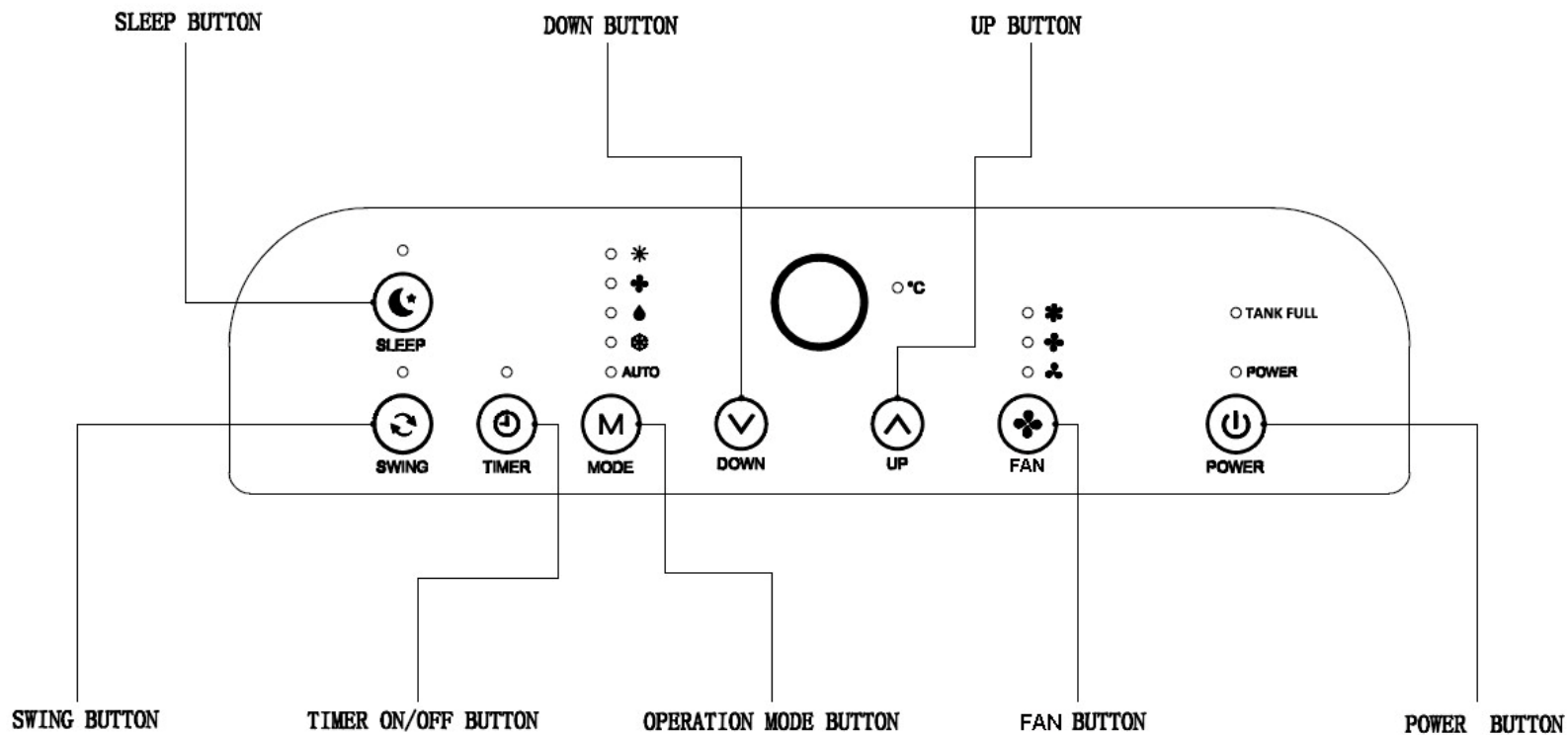
The length of the soft hose extends from 28 cm to 150 cm. If hose is extended above this length the unit may malfunction and this can invalidate the warranty.

The outlet vent must be well ventilated and not obstructed as this will cause the unit to overheat.

Avoid bending the air hose more than 30 degrees.



OPERATION AND SETTINGS



CONTROL PANEL & FUNCTION

POWER BUTTON

Press to turn unit "ON" or "OFF"

TEMPERATURE UP & DOWN

During cooling/heating function – These keys raise or lower the temperature by 1°C for each press. The minimum temperature is 16°C and max. 31°C.

FAN SPEED

Press to select either LOW, MEDIUM or HIGH fan speed.

NOTE: In dehumidifying function, this key is invalid because the unit is designed to be low speed in dehumidifying mode.

SLEEP MODE

Press **Sleep** mode button until unit enter into sleep mode, default value of fan speed is low. Sleep mode indicator led turns on. When the sleep mode is turned on, under cooling mode only, one hour later, set temperature will go up 1 degree Celsius, after another hour the set temperature will go up another degree than kept at this temperature. Under heating mode, one hour later, set temperature will decrease by 1 degree Celsius, after another hour the set temperature will decrease again with another degree than kept at this temperature.

- Sleeping mode is invalid under dehumidifying and fan mode.
- If internal tank full, machine standby and mode selection, sleeping mode will be cancelled. Press sleep button again and sleep mode will be cancelled.

Note: Sleep mode is not operational in the dehumidifying or Fan mode.

SWING BUTTON

After machine is on and mode selected, press this button and the louver will swing continuously up and down; by pressing this button again the movement will stop and the louver remain fixed in position.

PROGRAMMABLE TIMER

Timer on – The timer on is used to turn on the unit automatically after the set time is over.

1. When on standby, press the TIMER key, then set the time you desire the unit to start after by pressing the TEMP+ or TEMP- key.
2. Once the set time has come to an end, the unit will turn on automatically.
3. Press the POWER key before time out, the unit will turn on as normal and the program will be cancelled
4. The function and fan speed can be set whilst setting the timer.

Timer off – The timer off is used to turn off the unit automatically after the setting time is over.

1. Press the TIMER key when the unit is operating, then set the time you desire the unit to stop after by pressing TEMP+ or TEMP- key.
2. Once the set hour has come to an end, the unit will turn off automatically.
3. Press the POWER key before the time is up, the setting time will be cancelled and the unit will turn off.

MODE

Pressing this key will select between the Cooling  / Heating / Auto / Fan or “Dehumidify”

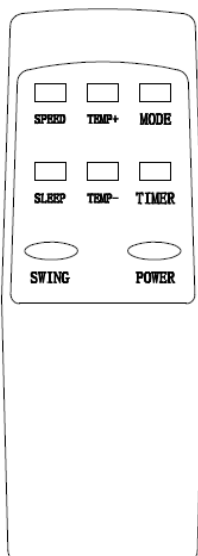


LED DISPLAY

The display indicates the current target temperature or the remaining timer settings. When the set temperature or the timer is adjusted, the new setting is shown.

The display is also used to show error codes. Should a fault occur, see ERROR CODES.

REMOTE CONTROL FUNCTION



1. POWER – ON/OFF Switch
2. MODE – Operation Mode
3. TIMER – Timer Mode
4. SPEED – Fan Speed Selector
5. TEMP+ - Temperature Up
6. TEMP- – Temperature Down
7. SLEEP
8. SWING

The functions on the remote are the same as those on the main control panel

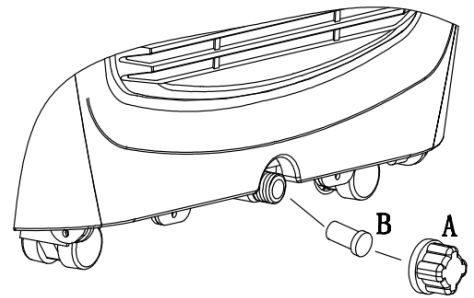
WATER-DRAINAGE

1. Manual drainage:

- 1.1 When the internal water tank is full the unit will stop working and display the message "E2" on the display.
- 1.2 Shut off the unit and unplug. Try not to move the model abruptly as this may cause water to spill out from internal water tank.
- 1.3 Place a tray under the water plug.
- 1.4 Screw off the water plug and unplug the water blocker - water will drain from the container.
- 1.5 Put the water blocker back and screw the water plug back into place

2. Continuous drainage:

- 2.1 Screw off the water plug and unplug the water blocker.
- 2.2 Use a water pipe to connect to the water outlet.
- 2.3 You can plumb this pipe into your current plumbing system, lead it outside or use a water pump.



Note: This model has a self-evaporative function, which reduces the need to empty the water tank. If the unit is vented correctly most of the water is reused to cool the condenser coils and any excess is evaporated. Please do not use continuous drainage if you intend to use the self-evaporating facility. In heating or dehumidifier mode you may need to use the permanent drainage.

Maintenance

Cleaning

Please shut off the unit and unplug from the mains before cleaning or performing any maintenance

Clean the surface

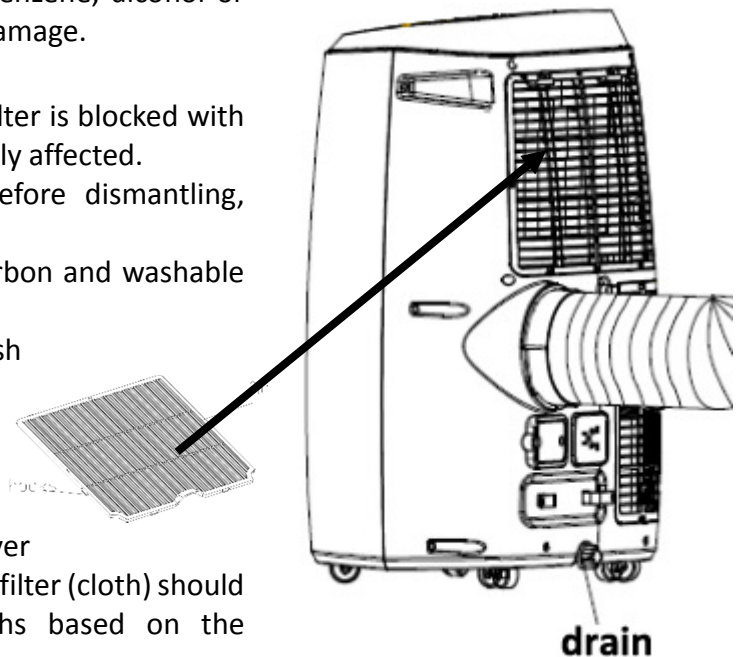
Clean the plastic housing with a duster or a soft wet cloth.

Do not use chemical solvents (such as benzene, alcohol or gasoline) as they may cause irreversible damage.

Air filter cleaning

- a) Clean the air filters every 2 weeks. If the air filter is blocked with dust, the unit's performance will be significantly affected.
- b) Disconnect the power plug from socket before dismantling, assembling or cleaning
- c) Open the air filter covers and remove the carbon and washable mesh filter
- d) Hoover gently the carbon filter and do not wash
- e) Wash the mesh air filters by immersing them in warm (about 40°C) water with a neutral detergent.
- f) Rinse it and then dry it thoroughly.
- g) Carefully re-install air filters back into their cover

Please note: If in use, the optional active carbon filter (cloth) should be replaced every 3-6 months based on the environment.



End of Season Maintenance:

1. Pull out the plug from the drainage hole and empty the internal tank. You can also drain the water by leaning the unit.
2. Then switch the unit to low fan mode.
3. Keep the unit in this mode for half day - until the conduit is dried. Doing this helps to keep the inside of the unit dry and prevents mold developing
4. Turn off the unit and pull out the plug.
5. Coil the wire and bind it together, then put it into the accessories space.
6. Separate the air-exhausted pipe and store it safely.
7. Cover the unit and keep it in a dry place.
8. Take the batteries out of remote control and store, or dispose, them safely
Keep all accessories with the unit ready for next season.

Troubleshooting

Do not repair or disassemble the unit by yourself, unauthorized repair attempts will invalidate the warranty and may cause bodily harm.

Trouble	Reason	Solution
The unit does not work	No power supply	Power-on and turn on the unit.
	Water-full indicator illuminated	Drain the internal water tank
	Timer function is active	Cancel Timer function
	Room temperature too low or too high	Use only in ambient temperatures between 7-35°C
The unit does not seem to perform.	In direct sunlight	Draw the curtains, UV affects RC
	Windows or doors open. Large amount of people or a heat source in the room.	Close windows and turn on another air conditioner
	Filter is very dirty	Clean or change the air filter
	Air inlet or air outlet is blocked	Clear out debris
	Room temperature is lower than setting temperature	Change the setting temperature
The unit loud	The unit is not put on flat surface	Put the unit on flat and hard surface
Compressor does not work	Overheating protection is active	Check venting. Restart the unit after 5 minutes when compressor has cooled
Remote control doesn't work	Operating distance is too far.	Move remote control closer to the unit and make sure it aims at the air-outlet grille
	Control panel has not received the signal from remote control.	
	The batteries are flat	Replace the batteries
E0	Room temperature abnormal or there is electrical short on temperature sensor	Temperature not within 7-35 C operating range. If temperature within operating range refer to Service Centre (check room temperature sensor or relevant circuit)
E3	Pipe temperature sensor failure	Switch off the unit, let it rest for min 30 minutes and restart. If still error please contact the service centre.
E2/E4	Water tank is full inside the machine	Drain out water from drain port at bottom rear of the unit.

If the above solutions do not resolve the problem please contact the service centre.



Disposal: Do not dispose this product as unsorted municipal waste. Collection of such waste must be handled separately as special treatment is necessary.

Recycling facilities are now available for all customers at which you can deposit your old electrical products. Customers will be able to take any old electrical equipment to participating civic amenity sites run by their local councils. Please remember that this equipment will be further handled during the recycling process, so please be considerate when depositing your equipment. Please contact the local council for details of your local household waste recycling centres.

TECHNICAL DATA:

	P16HP	P18HP
Capacity	Cooling: 4.6 kWh / 16,000 BTU	Cooling: 5.2 kWh / 18,000 BTU
	Heating: 4.2 kWh / 14,000 BTU	Heating: 4.7 kWh / 16,000 BTU
Rated Input	Cooling: 1.8 kW	Cooling: 2.0 kW
	Heating: 1.88 kW	Heating: 2.043 kW
Running Current	Cooling: 8.2 Amps Heating: 8.6 Amps	Cooling: 9.3 Amps Heating: 9.4 Amps
Air Flow	520 m ³ /h	520 m ³ /h
Noise (sound power)	<65dB(A)	<65dB(A)
Permitted Excessive Operating Pressure	1.2/3.8MPa	1.2/3.8MPa
Maximum Allowable Pressure	1.5/5Mpa	1.5/5Mpa
Power Supply	220-240V/50Hz	220-240V/50Hz
Net Weight	32 kgs	33 kgs
Dimension(L*D*H)	490*376*768 mm	490*376*768 mm
Unit must be vented outside when in Air Cooling and Heating mode. For the purposes of EU regulation EN12102 this is a <i>local air conditioner</i> and produces less than 65dB(A) sound energy.		

ElectriQ UK SUPPORT
www.ElectriQ.co.uk/support

Please, for your own convenience, make these simple checks before calling the service line.

If the unit still fails to operate call: 0871 620 1057 or complete the online form

- 1. Has the unit been standing upright for at least 2 hours?**
- 2. Is the unit plugged into the mains?**
- 3. Is the fuse OK?**
- 4. Switch the unit off and wait three minutes to see if the issue is resolved. Restart the unit.**
- 5. Check if the water tank is full.**

Office hours: 9AM - 5PM Monday to Friday

**www.ElectriQ.co.uk
Unit 2, The Nursery
Berristow Lane
South Normanton
Derbyshire, DE55 2FX**