

PORTABLE AIR COOLER

Model: HACLP-M53WH



- Humidifying function
 - 3 speeds
- Wide angle oscillation

HEINER

1. INTRODUCTION

Please read the instructions carefully and keep the manual for future information.

This manual is designed to give all necessary instructions concerning installation, use and maintenance of the unit. In order to operate the unit correctly and safely, please read this instruction manual carefully before installation and use.

2. CONTENT OF YOUR PACKAGE

- ➔ **Portable air cooler**
- ➔ **User manual**
- ➔ **Certificate of warranty**
- ➔ **Declaration of conformity**

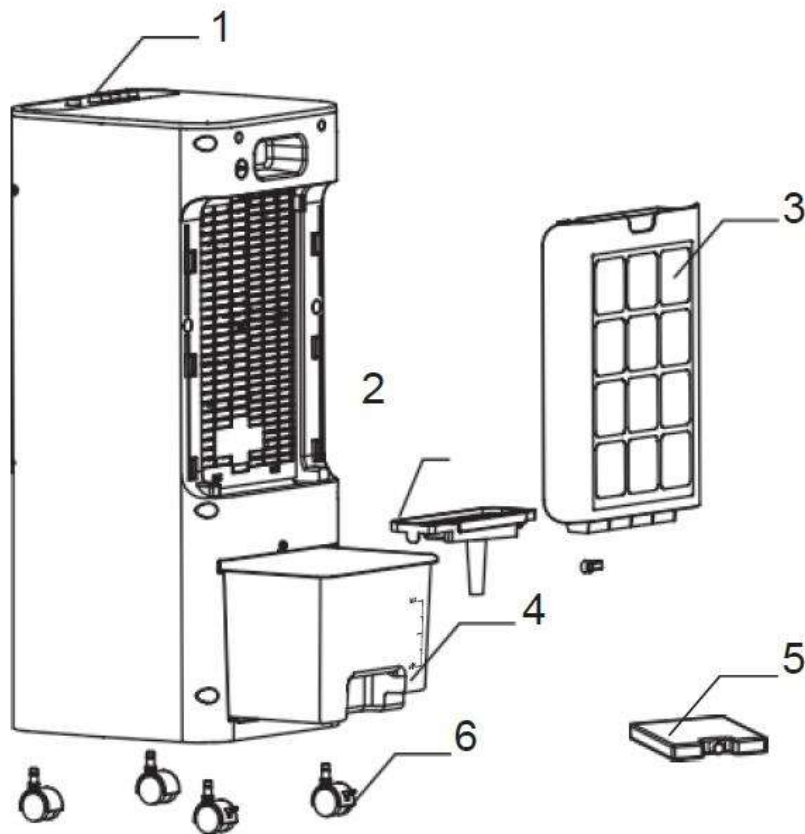
3. SAFETY INSTRUCTIONS

GENERAL

Read all instructions carefully and keep this manual for future reference.

1. This appliance can be used by children aged from 8 years and above and persons with reduced physical, sensory, or mental capabilities or lack of experience and knowledge if they have been given supervision or instruction concerning use of the appliance in a safe way and understand the hazards involved. Children shall not play with the appliance. Cleaning and user maintenance shall not be done by children without supervision.
2. Children of less than 3 years should be kept away unless continuously supervised. Children aged from 3 years and less than 8 years shall only switch on/off the appliance if it has been placed or installed in its intended normal operating position and they have been given supervision or instruction concerning use of the appliance in a safe way and understand the hazards involved.
3. Never insert fingers, pencils, or any other object through the grille when the air cooler is running.
4. Disconnect the air cooler from power when moving from one location to another.
5. Be sure the air cooler is on a stable surface when operating to avoid overturning.
6. Check the voltage indicated on the rating label. This product is designed for 100-240V~50/60Hz electric supply.
7. If the supply cord is damaged, it must be replaced by the manufacturer or its service agent or a similarly qualified person to avoid a hazard.
8. To protect against the risk of electrical shock, do not immerse the unit, cord, or plug in water or other liquid.
9. Do not bend, clamp, or damage the power cord and the power plug.
10. When the appliance is not in use and before cleaning, unplug the appliance from the outlet.
11. It is intended for indoor and household use only.

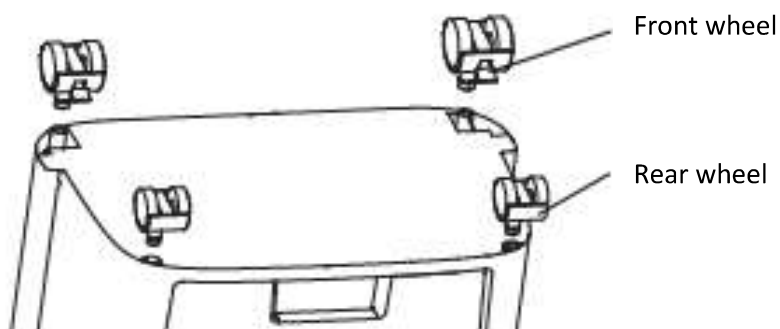
4. PRODUCT DESCRIPTION



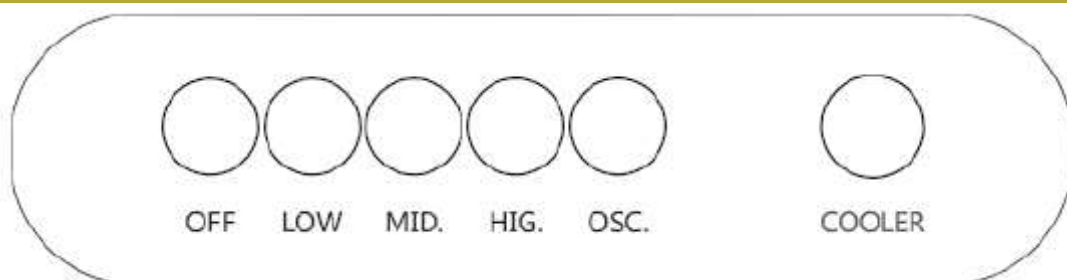
Number	Part description
1.	Control panel
2.	Water tank cover
3.	Honeycomb filter
4.	Water tank
5.	Ice box
6.	Universal wheel

5. USING THE APPLIANCE

WHEELS INSTALLATION

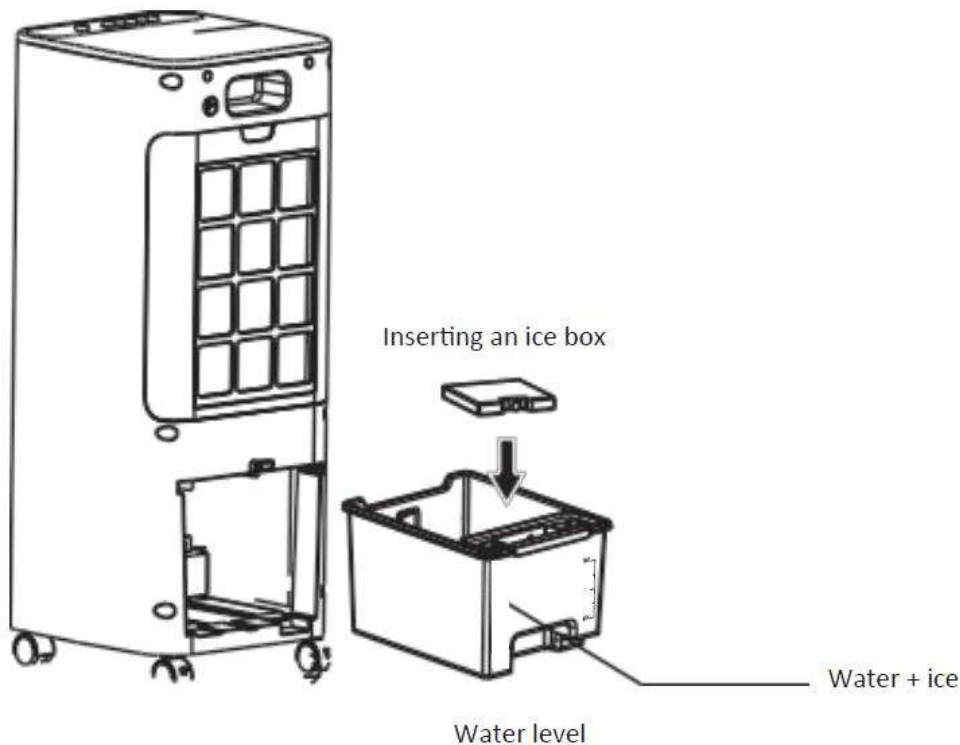


CONTROL PANEL



- OFF button: it activates or deactivates the appliance; acts for OFF Function.
- LOW, MED, HIGH buttons: adjust the fan speed.
- Oscillation (OSC.) button: it activates or deactivates the oscillation function.
- COOLER button: it activates or deactivates the cooling function

WATER TANK INSTALATION & USAGE



Note: when humidifying, water level in the Water Tank must remain under MAX indication; replenish water if level gets lower than MIN indication.

Note:

- Unplug the power plug when adding water and cleaning.
- Before starting up, make sure the pump module is fixed in place; if the pump module is placed randomly, it may lead to abnormal product humidification
- Please clean the water on the bottom of the water tank in time

1. There are two ways to add water:

- Drain half water tank (with the pump module not removed) and add fresh water directly.
- After detaching the pump module, throw away the old water and add fresh one.

6. CLEANING AND MAINTENANCE

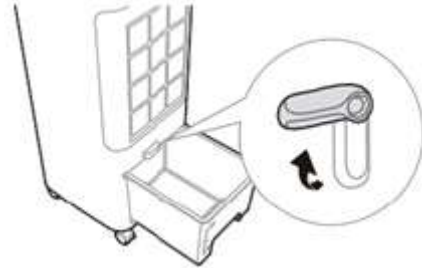
The air cooler requires minimal maintenance. Do not try to fix it by yourself. Refer to a qualified service personnel if technical maintenance is needed.

1. Before cleaning and assembling, unplug the fan power.
2. To ensure adequate air circulation to the motor, keep vents at the rear of the motor free of dust. Do not disassemble the air cooler to remove dust.
3. Please wipe the exterior parts with a soft cloth soaked in a mild detergent.
4. Do not use any abrasive detergent or solvents to avoid scratching the surface.

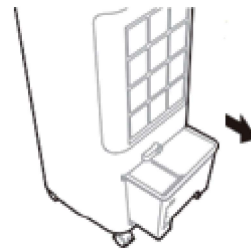
5. Do not use any of the following as a cleaner: gasoline, thinner.
6. Do not allow water or any other liquid entering into the motor housing or interior parts.
7. Plastic parts should be cleaned with a soft cloth moisten with mild soap thoroughly remove soapsuds with dry cloth.

WATER CLEANING & REFILLING

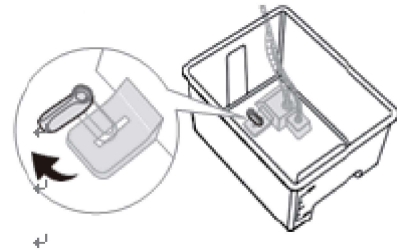
1. Push the water tank button out to the horizontal state.



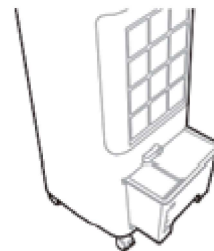
2. Take half of the tank out (the water tank can be pushed back after adding water).



3. Turn the knob off by hand (at approximately 90° counterclockwise). Separate the water tank from the pump module (including the pipe).



4. After slowly pulling out the water tank, clean it and refill it up with water.



5. After cleaning and adding water to the dedicated tank, push it back and fix the pump module. Lock back the water tank with the described knob.

CUSTOMER CARE AND SERVICE

Always use original spare parts.

When contacting our Authorised Service Centre, ensure that you have the following data available: Model and Serial Number.

The information can be found on the rating plate. Subject to change without notice.