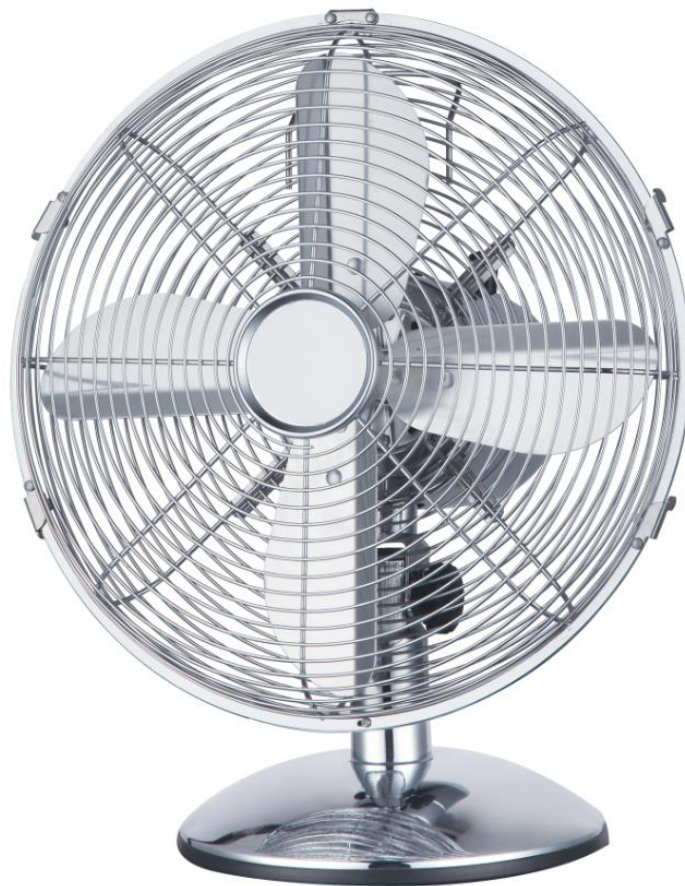


# electriciQ

## USER MANUAL



### **DF12CR (CHROME) / DF12CP (COPPER) 12 INCH DESK FAN**

Thank you for choosing electriciQ

Please read this user manual before using this air circulator and keep it safe for future reference.

Visit our page [www.electriQ.co.uk](http://www.electriQ.co.uk) for our entire range of Intelligent Electricals

# CONTENTS

<b>SAFETY INSTRUCTIONS</b>	<b>3</b>
<b>DIAGRAM</b>	<b>4</b>
<b>INSTALLATION</b>	<b>5</b>
<b>OPERATION</b>	<b>5</b>
<b>MAINTENANCE</b>	<b>5</b>
<b>TROUBLE SHOOTING</b>	<b>6</b>
<b>TECHNICAL DATA</b>	<b>6</b>
<b>MANUFACTURER SUPPORT</b>	<b>7</b>

# SAFETY INSTRUCTIONS

## Important!

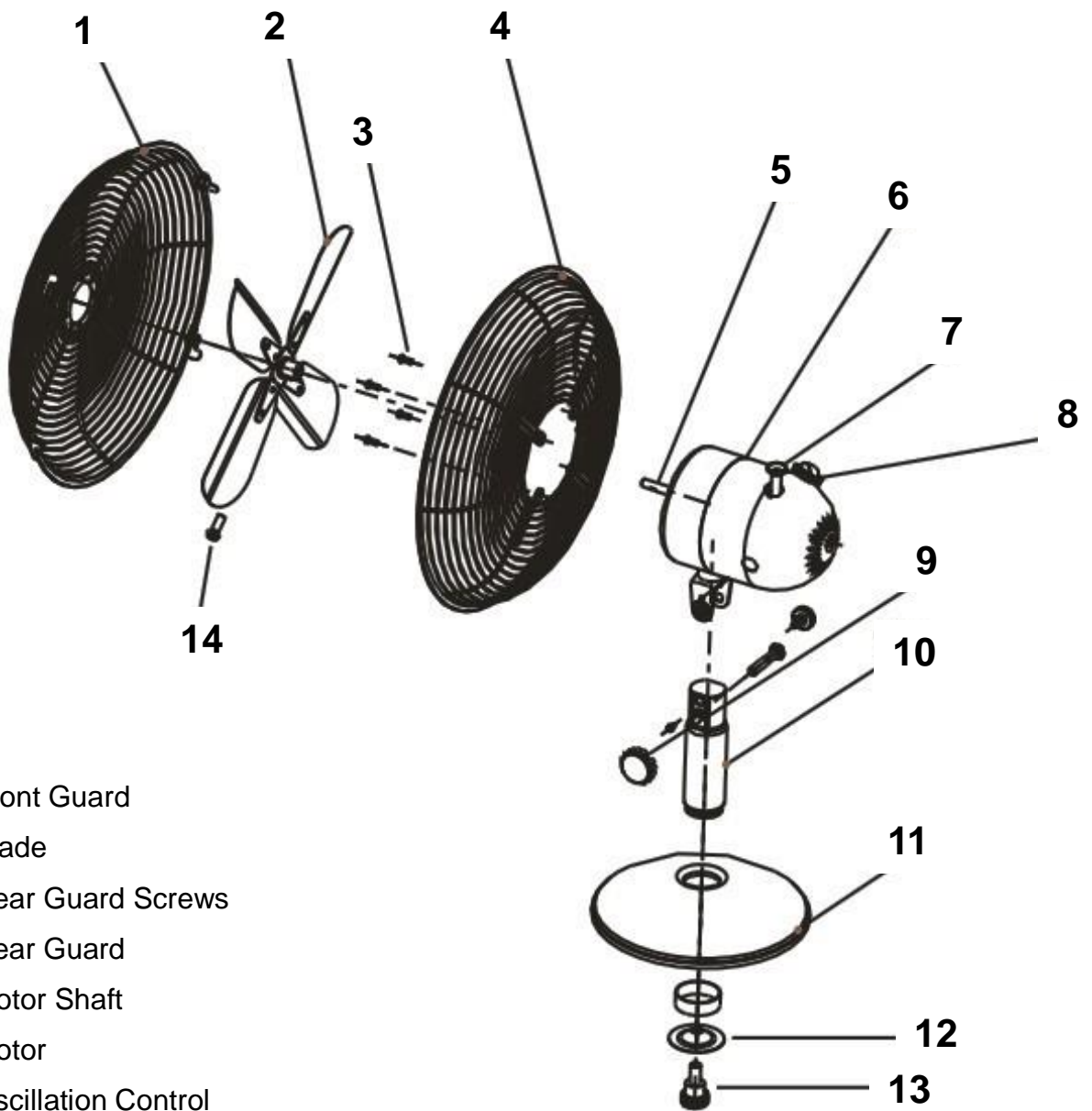
- Carefully read the instructions before operating the unit
- This appliance is for indoor use only.
- Rating: This unit must be only connected to a 220-240 V / 50 Hz earthed outlet.
- Installation must be in accordance with regulations of the country where the unit is used.
- If you are in any doubt about the suitability of your electrical supply have it checked and, if necessary, modified by a qualified electrician.
- This fan has been tested and is safe to use. However, as with any electrical appliance - use it with care.
- Disconnect the power from the unit before dismantling, assembling or cleaning the unit
- Avoid touching any moving parts of the appliance.
- Never insert fingers, pencils or any other objects through the guard
- This appliance can be used by Children aged from 8 years and above and persons with reduced physical, sensory or mental capabilities or lack of experience and knowledge if they have been given supervision or instruction concerning use of the appliance in a safe way and understand the hazards involved. Children shall not play with the appliance. Cleaning and user maintenance shall not be made by children without supervision.
- Do not clean the unit by spraying it or immersing it in water.
- Never connect the unit to an electrical outlet using an extension cord. If an outlet is not available, one should be installed by a qualified electrician.
- Never operate this appliance if the cord or plug is damaged. Ensure the power cord is not stretched or exposed to sharp object/edges.
- A damaged supply cord should be replaced by the manufacturer or a qualified electrician in order to avoid a hazard.
- Any service other than regular cleaning should be performed by an authorized service representative. Failure to comply could result in a voided warranty.
- Do not use the appliance for any purpose other than for its intended use.
- Never use the mains plug as a switch to start and turn off the fan. Use the provided ON/OFF switch located on the control panel.
- Always place the unit on a dry and stable surface.
- Fans are designed to create rapid air movement, therefore make sure the fan is not placed near curtains or any objects that may be drawn into the fan inlet.
- The appliance should not be installed in laundry or wet rooms
- Do not use this unit in environments with flammable and explosive gases.
- Avoid keeping the unit in direct sunlight for a long period of time

## Energy Saving and Unit Safety Protection Tips

- Do not cover or restrict the airflow. Do not use in dusty environment.
- For maximum performance the minimum distance from a wall or objects should be 50cm.

**WARNING:** To reduce the risk of fire or electrical shock, DO NOT USE THIS FAN with any SOLID STATE Speed Control Device or any variable speed controllers.

# DIAGRAM

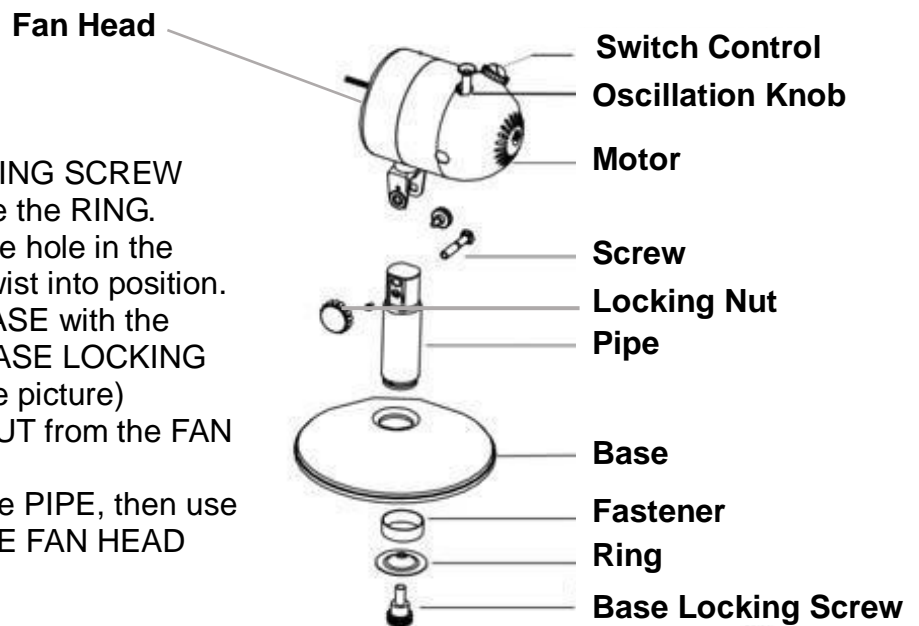


1. Front Guard
2. Blade
3. Rear Guard Screws
4. Rear Guard
5. Motor Shaft
6. Motor
7. Oscillation Control
8. Control Switch
9. Knob
10. Tube
11. Base
12. Ring
13. Base Locking Screw
14. Blade Screw

## INSTALLATION

### BODY ASSEMBLY

1. Unscrew the BASE LOCKING SCREW from the PIPE and remove the RING.
2. Insert the PIPE through the hole in the center of the BASE and twist into position.
3. Secure the PIPE to the BASE with the FASTENER, RING and BASE LOCKING SCREW, in that order (see picture)
4. Unscrew the LOCKING NUT from the FAN HEAD.
5. Put the FAN HEAD into the PIPE, then use the SCREW to tighten THE FAN HEAD onto the PIPE.



### FAN GRILL ASSEMBLY

1. Align the REAR GRILL on the FAN HEAD, then secure in place using the 4 x REAR GRILL SCREWS.
2. Install the BLADE onto the MOTOR SHAFT by tightening the BLADE SCREW.
3. Centre the FRONT GRILL by aligning the central logo so that it is horizontal and parallel to the floor. The FRONT and REAR GRILLS should be fastened completely by snapping the 5 x GRILL CLIPS into place.
4. Tighten the GRILL LOCKING SCREW at the bottom of the REAR GRILL.

## OPERATION

1. Twist the SWITCH CONTROL to select the desired speed.
2. Push down the OSCILLATION KNOB to start oscillation. Pull it up to stop oscillation.
3. Loosen the LOCKING NUT slightly to adjust the tilt angle of the fan head, then re-tighten.

## MAINTENANCE

**ATTENTION: Please shut off the unit and unplug from the mains before cleaning or performing any maintenance.**

### CLEANING THE SURFACE

Clean the grills with a duster or a soft wet cloth.

Do not use chemical solvents (such as benzene, alcohol or gasoline) as they may cause irreversible damage. Make sure no water enters the control panel or fan motor

Do not run the unit until completely dry.

Place the fan in its original box or cover the fan to protect it from dust.

Store it in a cool dry place.

## TROUBLESHOOTING

Do not repair or disassemble the unit by yourself, unauthorized repair attempts will invalidate the warranty and may cause bodily harm.

Issue	Possible Reason	Solution
No power	<ol style="list-style-type: none"> <li>1. Power cord is unconnected</li> <li>2. The There is no power from socket</li> <li>3. The power switch is not on.</li> <li>4. The fuse has blown</li> </ol>	<ol style="list-style-type: none"> <li>1. Connect the power cord</li> <li>2. Check socket is turned on</li> <li>3. Turn the unit on</li> <li>4. Replace the fuse in the plug</li> </ol>
Strong vibrations and noise	<ol style="list-style-type: none"> <li>1. Fan is not used on a flat surface</li> <li>2. Fan may be damaged</li> </ol>	<ol style="list-style-type: none"> <li>1. Place on a flat surface. May put an anti-vibration matt underneath</li> <li>2. if fan is damaged discontinue use and contact service centre</li> </ol>

If the above solutions do not resolve the problem please contact the service centre.

## TECHNICAL DATA

<b>Model</b>	<b>DF12CR / DF12CP</b>
	High Velocity
<b>Fan Speed</b>	3
<b>Blade size</b>	300 mm
<b>Cable length</b>	1.5 meters
<b>Rated Input</b>	35W
<b>Running Current</b>	0.14A
<b>Air Flow</b>	3000 m <sup>3</sup> /hr (2000 CFM)
<b>Noise</b>	Max 50db
<b>Power Supply</b>	220-240V/50Hz
<b>Net Weight</b>	2.7 kgs
<b>Gross Weight</b>	3.6 kgs
<b>Net Size (assembled)</b>	330mm x 250mm x 390mm
<b>Gross Size (packed)</b>	350mm x 220mm x 350mm

## electriQ UK SUPPORT

[www.electriQ.co.uk/support](http://www.electriQ.co.uk/support)  
Call: 0330 390 3061 or complete the online form  
Office hours: 9AM - 5PM Monday to Friday  
[www.electriQ.co.uk](http://www.electriQ.co.uk)  
Unit J6, Lowfields Business Park  
Lowfields Way, Elland  
West Yorkshire, HX5 9DA



**Disposal: Do not dispose this product as unsorted municipal waste. Collection of such waste must be handled separately as special treatment is necessary.**

Recycling facilities are now available for all customers at which you can deposit your old electrical products. Customers will be able to take any old electrical equipment to participating civic amenity sites run by their local councils. Please remember that this equipment will be further handled during the recycling process, so please be considerate when depositing your equipment. Please contact the local council for details of your local household waste recycling centres.