

Cooling and Heatpump Heating Air Conditioner

MF

12000EH

14000EH

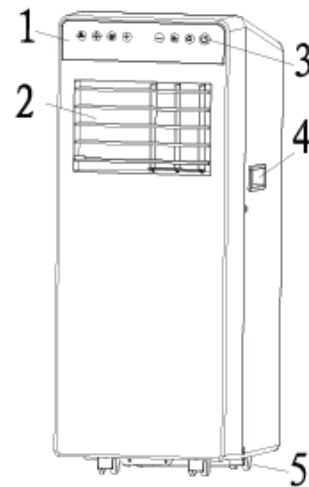


GB User Manual

Parts Name

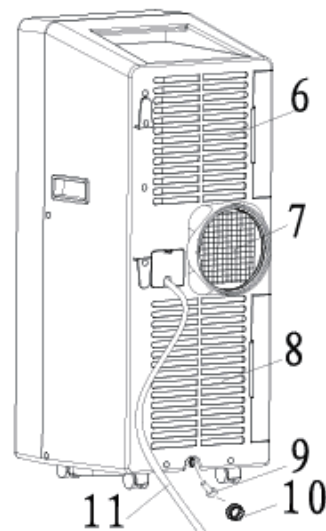
Front side

1. Control Panel
2. Air-outlet
3. Touch Buttons
4. Handle
5. Castors

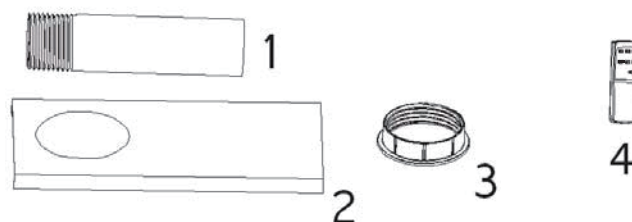


Back Side

6. Upper Filter Frame
7. Exhaust Connector
8. Lower Filter Frame
9. Water Drain Rubber Plug
10. Water Drain Plug Cap
11. Power Cord



On receiving the unit please check if all accessories are present. Read the user manual to make sure you know how to use them. (fig.4)



1. Exhaust hose
2. Ajustable slide bar
3. Slide bar connector
4. Remote control

THANK YOU

Thank you for choosing this innovative Amcor air conditioner / heater by heat pump technology. We suggest that you keep this manual in a safe place for future reference. It describes the many benefits and advanced features this unique product has to offer. Before you use your air conditioner you should carefully read these instructions to maximise this product performance.

For over 60 years Amcor has specialised in complete indoor environmental control, manufacturing and marketing; dehumidifiers, portable air conditioners, coolers, air purifiers, ionisers and aroma therapy scent diffusers. These world class products incorporate the latest technological developments.

SAFETY INSTRUCTIONS

IMPORTANT!

- The unit is designed for indoor operation.
- Rating: This unit must be connected to a 220-240 V / 50 Hz earthed outlet.
- The installation must be in accordance with regulations of the country where the unit is used.

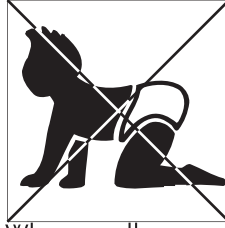
If you are in any doubt about your electrical supply, have it checked and if necessary modified by a qualified electrician.

- This air conditioner has been tested and is safe to use. However, as with any electrical appliance use it with care.
- This appliance is not intended for use by persons (including children) with reduced physical, sensory or mental capabilities, or lack of experience and knowledge, unless they have been given supervision or instruction concerning the use of the appliance by a person responsible for their safety.
- Children should be supervised to ensure that they do not play with the appliance.
- Do not clean the unit by spraying it or immersing it in water.
- Do not insert any object into the openings of the unit.
- Disconnect it from the mains before cleaning the unit or any of its components.
- Never connect the unit to an electrical outlet using an extension cord. If an outlet is not available, one should be installed by a qualified electrician.
- Never operate this appliance if it has a damaged cord or plug. Do not stretch or place the power cord over sharp edges that can cause damage.
- A damaged supply cord should be replaced by the manufacturer, its service centre or a qualified electrician in order to avoid a hazard.
- Any service other than regular cleaning or filter replacement should be performed by an authorized service representative. Failure to do so could result in a loss of warranty.

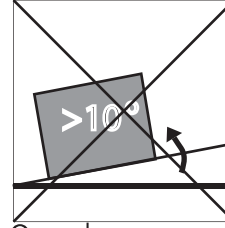
Do not use your air conditioner:



If the power cable wires are frayed or cut



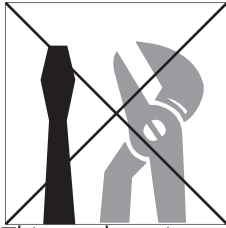
When small children may be left unattended



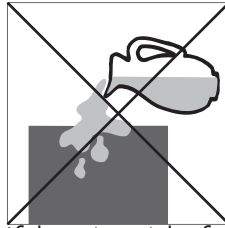
On a slope or uneven surface



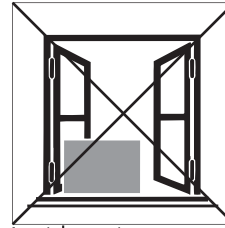
Close to a heat source



This products is not made for DIY repair



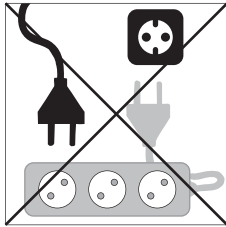
If there is a risk of liquid falling on the unit



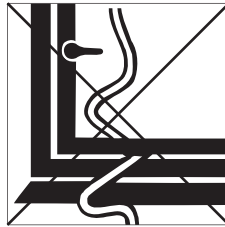
Inside unit exposed to the weather outdoors



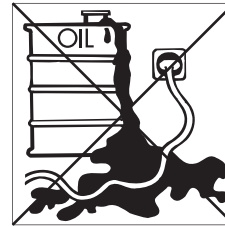
In a permanent very humid environment



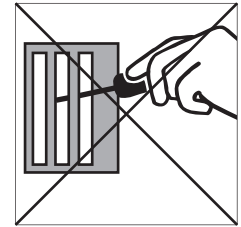
If an extension lead may become overloaded



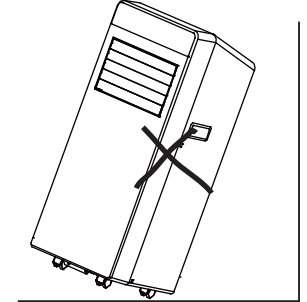
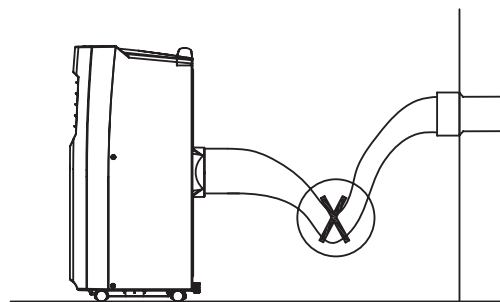
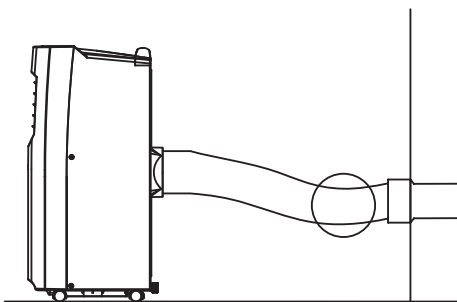
Where the power cable may be damaged



Where it may be damaged by chemicals



Where there is a risk of interference by foreign objects



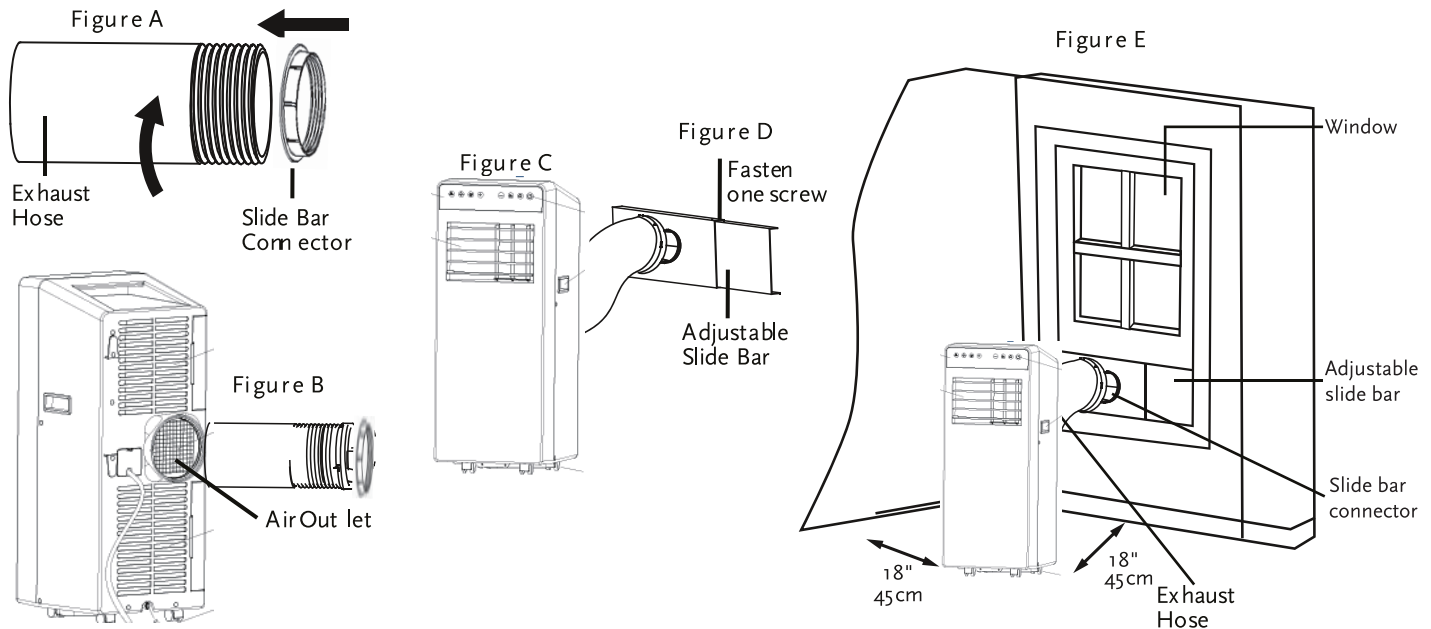
Disposal:

Waste electrical products must not be disposed of with household waste. This product should be taken to your local recycling centre for safe treatment.

POSITIONING

This unit can easily be moved from one room to another. In doing, so keep this in mind:

- The air conditioner must stand upright on an even surface.
- Do not position near bath, sink, or other permanent, wet or damp area.
- Keep unit at least 18" from wall, curtains, draperies, or heat sources to insure adequate air circulation.



Installing Exhaust Hose to Window Slide Bar

Note: The window kit is only designed to be installed with sliding or sash windows or doors. The window kit is not designed or to be used with other style of windows. A fish tail optional adaptor can be used with most of the windows / doors in cooling mode ensuring that the opening left is as small as possible. The best installation will be through the wall duct.

Please note that the heat pump mobile air conditioners will need to be vented out in heating mode, ideally through the wall. By properly venting them you will expel cold air from your room while efficiently heating it.

Step 1:

Measure your window kit according to the dimensions of your sliding window. If in case the slide bar is larger than your required dimensions, it can be cut using a saw or power tool of that sort. If the slide bar is too short for your opening, you can order an additional window kit from our online store to extend it.

Step 2:

Screw slide bar connector into exhaust hose (Figure A) , then spin the exhaust hose into the air outlet located at the rear of the unit (counter-clockwise) (Figure B).

Step 3:

Insert slide bar connector into adjustable slide bar (Figure C). Extend the Slide Bar length to match the width of the window (vertically or horizontally), and then tighten the screw to hold the length of the slide bar (Figure D). Make sure the adjustable slide bar fits properly in your window and stays in place. Proceed to close and lock your window on the Slide Bar to secure in place (Figure E).

Important

The flexible exhaust hose can be extended from 300 to 1500 mm for mounting.

This length has been designed especially according to the specifications of the air conditioner.

Do not use an extension or exchange for a different hose as that may lead to malfunctioning.

The exhaust air must flow freely, any blockage can lead to overheating of the air conditioner.

Take care to prevent any kink or bend in the exhaust hose.

OPERATION



On/Off

Press "POWER" to switch the unit On or Off

Cooling Mode

After machine turns on, default value is cooling mode with 22°C and low fan speed.

Press "MODE" to select cooling mode, cooling mode indicator turns on .

Press "UP" or "DOWN" to adjust temperature (from 16°C to 31°C).

Press "SPEED" to select fan speed (low, high)

Heating mode

Press "MODE" to select heating mode, heating mode indicator turns on.

Press " UP" or " DOWN" to adjust temperature (from 16 °C to 31 °C).

Press "SPEED" to select high or low fan speed. Please note that the heat pump mobile air conditioners will need to be vented out in heating mode, ideally through the wall. By properly venting them you will expel cold air from your room while efficiently heating it.

Fan Mode

Press "MODE" to select fan mode, fan mode indicator turns on .

Press "SPEED" to select fan speed (low, high).

Temperature and sleeping function cannot be setup.

Timer Mode

The timer is a 24hrs start / stop timer.

Under standby mode, press "TIMER" to setup the power-on time, press "TIMER" to adjust the timer (from 1 to 24 hours). Unit will start after the selected number of hours. Timer indicator turns on.

Under power-on mode, press "TIMER" to setup power-off timer.

Press "TIMER" to adjust the timer (from 1 to 24 hours). Timer indicator turns on. Unit will stop after the selected number of hours.

Sleeping Mode

Pressing key "SLEEP" unit will enter into sleeping mode; default value of fan speed is low.

When sleeping mode is on , under cooling mode, after one hour of operation , the setting on temperature will go up 1°C, the second one hour later, setting temperature will go up another 1°C, and then keep constant; Sleeping mode is invalid under dehumidifying, heating and fan mode.

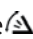
Water tank full, machine standby, mode changing will cancel the sleeping mode.

Dehumidifying Mode

Press "MODE" to select dehumidifying mode. dehumidifying mode indicator turns on.

Under dehumidifying mode, sleeping function cannot be setup, and fan speed is low If the unit will be used mainly as a dehumidifier, continuous drainage (see separate chapter) is then necessary for the unit to be efficient.

Auto Swing Mode

When machine turns on, under auto swing, the louvers will swing continuously left and right; by pressing the  button again the movement will stop and the louver remain in that position.

Compressor Protection

There is a three minutes compressor delay on power on / restart.

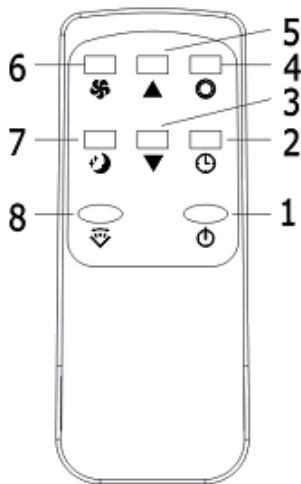
Remote control

- The air conditioner responds to all signals that are sent by the remote control.
- There will be a beep sound from the unit after receiving the signal. The operation of the unit by remote control is identical to the operation by the control panel
- Two AAA-batteries are required to use the remote control.
- Note: the air flow direction can not be adjusted with the remote control.

Important:

- There will be a 3 minutes compressor start delay after the unit is turned on (this will help improve the lifespan of the compressor). After switching the unit off, please wait at least 3 minutes before turning the unit back on.
- The cooling will switch off when the room temperature is lower than the set one. Ventilation will however continue to work at the set level. When the ambient temperature rises above the chosen value, the cooling will resume.

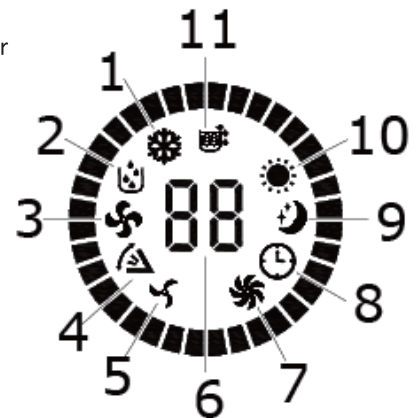
Remote Control



1. Power 2. Timer 3. Down 4. Mode
5. Up 6. Fan 7. Sleeping 8. Swing

Screen

1. Cooling mode indicator
2. Dehumidifying mode indicator
3. Fan mode indicator
4. Swing mode indicator
5. Low fan speed
6. Temperature display
7. High fan speed
8. Timer mode indicator
9. Sleeping mode indicator
10. Heating mode indicator
11. Water full indicator



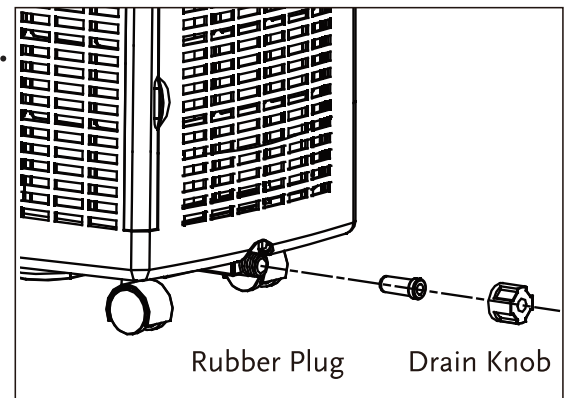
EMPTYING THE WATER CONTAINER

During the process of cooling, some water will be extracted from the air into the unit. Most of this water is used to cool the unit and make it run more efficiently evaporating via the normal exhaust as hot humid air. This is a feature not found in most portable air conditioners.

If the unit is operated in VERY HUMID environment or not vented properly, water will be collected in the container inside the unit. If the water container is full, the unit will stop and the warning light will flash to inform you to empty the internal water. To start the cooling function again, empty the internal container or the unit will not operate.

Switch off the unit and remove the plug from the mains.

- Position a flat container or dish on the floor under the drain hole. Do not allow the water to drip continuously into the container as it might easily overflow.
- Remove the drain knob.
- Remove the rubber plug, the water will flow in the container. When this is nearly full, replace the plug to stop the water flow and empty it. Repeat this process until all water has been removed.
- Replace the rubber plug into the drain hole firmly, the warning light should not flash any longer.
- Replace the drain knob.



Additional maintenance/tasks prior to storage

- Drain the condensed water completely.
- Clean or change the filter.
- Put the unit on a warm day in fan mode for a couple of hours to ensure that the inside can dry out completely.
- Store the power cable as shown, protect the unit against dust (put back into its original carton) and store in a dry place not accessible for children.
- Do not stock heavy objects on top of the unit.

CLEANING

Always unplug the unit from the wall outlet before beginning the cleaning.

ABS Case

Use a soft, damp cloth to wipe the body clean. Never use strong chemicals, oil-based products, detergents, chemically treated cloths or other cleaning solutions. These could possibly damage the housing.

Filter

- Clean the filters every two weeks, if filters are blocked by dust, machine efficiency will be reduced.
- Use a vacuum cleaner or tap the filter lightly to remove loose dust and dirt from the filters and then rinse them thoroughly under running water. You may also immerse it gently into warm water with a neutral detergent, rinse it, and dry it thoroughly in a shaded place. In either case, water should not be warmer than 31°C

Notice! Never operate the air conditioner without the filters.

STORAGE

See the instructions "Emptying the water container".

- Drain the condensed water completely.
- Clean or change the filter.
- Put the unit on a warm day in fan mode for a couple of hours to ensure that the inside can dry out completely.
- Store the power cable as shown, protect the unit against dust (put back into its original carton) and store in a dry place not accessible for children.
- Do not stock heavy objects on top of the unit.

TROUBLE SHOOTING

Never try to repair or dismantle the air condition yourself. Incompetent repairs result in loss of warranty and can endanger the user and the property.		
Problem	Cause	Solution
The air conditioner does not function.	No power supply.	Connect to a functioning outlet and switch on.
	Is the power light flashing?	Empty the internal tank.
	Timer function is active.	Deactivate the TIMER function.
The air conditioner does not seem to perform.	The unit is in direct sunlight.	Close curtains.
	Windows or doors open, many people or a heat source in the room.	Close doors and windows, place an extra air conditioner.
	The filter is dirty.	Clean or replace the filter.
	Air inlet or air outlet blocked.	Remove the blockage.
	Room temperature lower than the selected value.	Change temperature selection. Set at the lowest possible setting: 16 °C.
The unit is noisy.	Unit stands uneven.	Place on an even, solid surface (less vibrations).
The compressor does not work.	The overheat protection is probably activated.	Wait 3 minutes until the temperature has decreased, then turn on the unit again.
The remote control does not function.	Distance too great.	Make sure the remote control is correctly aimed at the control panel.
	Remote control signal not detected by the control panel.	
	The batteries are drained.	Replace the batteries.
To correct problems that have not been described in the table above and/or if the recommended solutions fail to solve the problem, contact an authorized service centre.		

TECHNICAL DATA

Model		MF14000EH
Cooling capacity 1*	BTU/h	14000
	W	4100
Cooling capacity 2*	BTU/h	11000
	W	3230
Heating capacity 2*	BTU/h	10000
	W	2900
Mains		220–240 V / 50 Hz / 1Ph
Power consumption	W	1160
Current	A	5.11
Dehumidification	L/24h	50
Refrigerant *		R410A
Compressor		rotary
Fan speeds		2
Thermostat	°C	16 – 31
Timer	h	1 – 24
Dimensions (W x H x D)	mm	325 x 830 x 370
Net weight	kg	27
<p>1* measured under enthalpy method with tolerance. 2* measured conform EN 14511 The above figures are Subject to modifications without prior notice. Please refer to the rating label for greater precision.</p>		

AMCOR UK SUPPORT

Please, for your own convenience, make these simple checks before calling the service line.

1. Has the unit been standing upright? (for at least 2 hrs)
2. Is the unit plugged into the mains? Is the fuse OK?
3. Check if three minutes have passed after switching on the unit.
4. Check whether the water tank is full.

If the unit still fails to operate call: 0871 620 1057 or fill the online form

Office hours: 9AM - 5PM Monday to Friday

www.amcoruk.com

Unit 2, The Nursery, Berristow Lane, South Normanton, Derbyshire, DE55 2FX