

electricIQ

USER MANUAL



DF24B

24 INCH HIGH VELOCITY MOBILE FAN

Thank you for choosing ElectricQ

Please read this user manual before using this air circulator and keep it safe for future reference.

Visit our page www.electriQ.co.uk for our entire range of Intelligent Electricals

CONTENTS

SAFETY INSTRUCTIONS	3
FEATURES AND ASSEMBLY	4
CONTROL PANEL AND SETTINGS	5
MAINTENANCE	6
TROUBLE SHOOTING	6
APPENDIX	7

SAFETY INSTRUCTIONS

Important!

- Carefully read the instructions before operating the unit
- This appliance is for indoor use only.
- Rating: This unit must be only connected to a 220-240 V / 50 Hz earthed outlet.
- Installation must be in accordance with regulations of the country where the unit is used.
- If you are in any doubt about the suitability of your electrical supply have it checked and, if necessary, modified by a qualified electrician.
- This fan has been tested and is safe to use. However, as with any electrical appliances - use it with care.
- Disconnect power plug from socket before dismantling, assembling or cleaning the unit
- Avoid touching any moving parts of the appliance.
- Never insert fingers, pencils or any other objects though the guard
- This appliance is not intended for use by persons (including children) with reduced physical, sensory or mental capabilities. It is also not intended for use by those with a lack of experience and knowledge, unless they have been given supervision or instruction concerning the use of the appliance by a person responsible for their safety.
Do not leave children unsupervised with this appliance.
- Do not clean the unit by spraying it or immersing it in water.
- Never connect the unit to an electrical outlet using an extension cord. If an outlet is not available, one should be installed by a qualified electrician.
- Never operate this appliance if the cord or plug is damaged. Ensure the power cord is not stretched or exposed to sharp object/edges.
- A damaged supply cord should be replaced by the manufacturer or a qualified electrician in order to avoid a hazard.
- Any service other than regular cleaning should be performed by an authorized service representative. Failure to comply could result in a voided warranty.
- Do not operate the fan unassembled without protective front and rear grilles in position.
- Do not use the appliance for any other purposes than its intended use.
- Never use the mains plug as a switch to start and turn off the fan. Use the provided ON/OFF switch located on the control panel.
- Always place the unit on a dry and stable surface. Do not move or tilt the unit
- High Velocity fans are designed to create rapid air movement, therefore make sure the fan is not placed near curtains or any objects that may be drawn into the fan inlet.
- The appliance should not be installed in laundry or wet rooms
- Do not use this unit in environments with flammable and explosive gases.
- Avoid keeping the unit in direct sunlight for a long period of time

Energy Saving and Unit Safety Protection Tips

- Do not cover or restrict the airflow. Do not use in dusty environment.
- For maximum performance the minimum distance from a wall or objects should be 50cm.

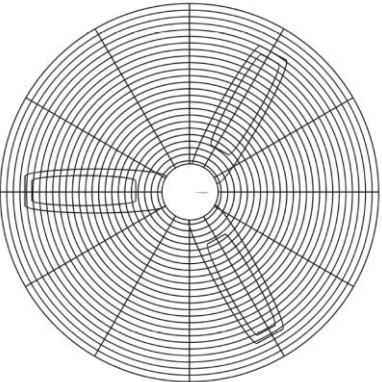
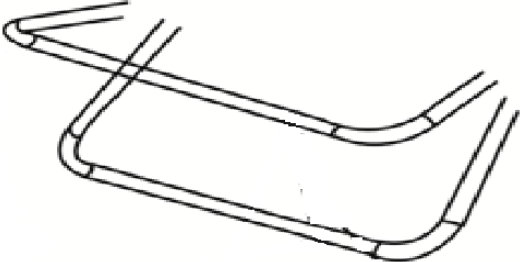





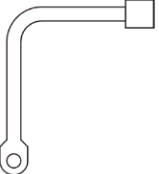
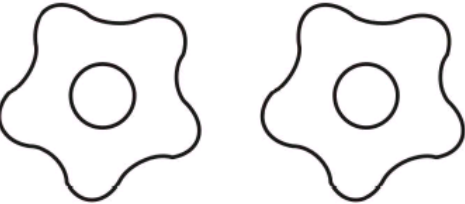
Warning: To reduce the risk of fire or electrical shock, DO NOT USE THIS FAN with any SOLID STATE Speed Control Device or any variable speed controllers.

DF24B 24 Inch Mobile High Velocity Cool Air Circulator Fan with 3 Speed Settings

SPECIFICATIONS

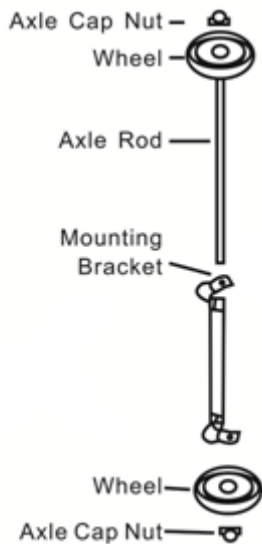
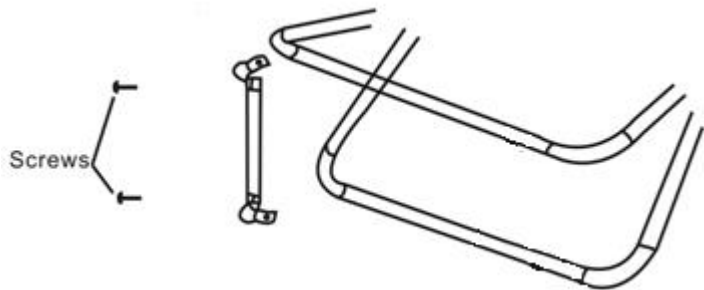
- High air flow 7000 m³/hr (5,600cfm)
- Slim design takes minimal space
- High Speed Motor with 3 Fan Speed Settings
- Adjustable Tilt Head

PARTS LIST

<p style="text-align: center;">Main Body</p> 	<p style="text-align: center;">Frame Assembly</p> 
<p style="text-align: center;">Wheel x 2</p> 	<p style="text-align: center;">Mounting Bracket</p> 
<p style="text-align: center;">Axle Cap Nut 2</p> 	<p style="text-align: center;">Axle Rod</p> 
<p style="text-align: center;">Screws x 6</p> 	<p style="text-align: center;">Handle</p> 
<p style="text-align: center;">Fixing Knobs x 2</p> 	

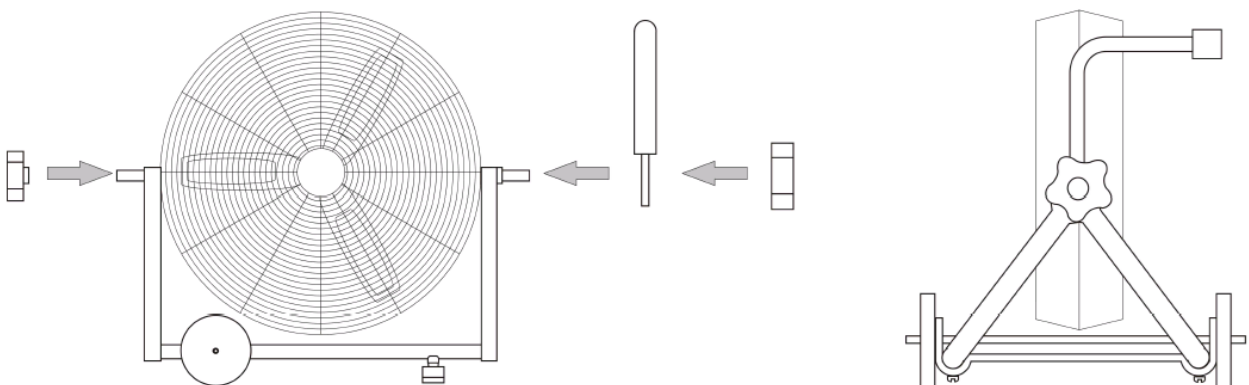
FAN ASSEMBLY

1. Place the mounting bracket in position on the left hand side of the Frame Assembly, and fasten using one screw at either end to secure it in place.



2. Slide the Axle rod through the Mounting Bracket, before attaching a wheel to either end of the Axle using an Axle Cap Nut at each end to secure them.

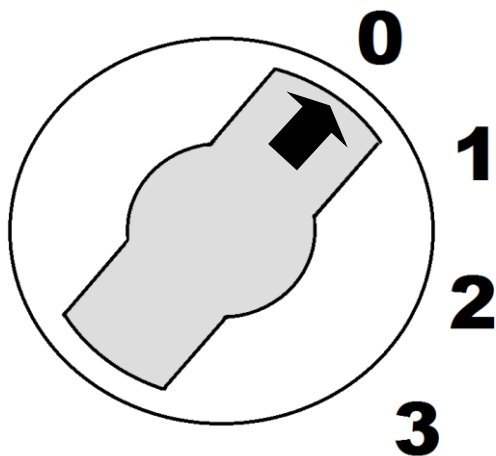
3. Place the assembled stand flat on the floor, stood on its wheels, with the wheels to the left.
4. Locate the Fan unit into position in the Frame assembly, place the handle into position, before securing the fan in position with a Fixing knob at each side.



OPERATION

1. Set your fan on a level dry surface.
2. Before plugging into the wall outlet adjust the fan head to your desired angle: loosen the mounting screws then tighten them back in position.
3. Plug the power cord into a standard 220~240 V wall outlet.

CONTROL PANEL AND SETTINGS



Twist the control knob from the 0 and select the appropriate speed **Low** (1) **Medium** (2) **High** (3)

INSTALLATION

This unit can easily be moved from one room to another. While moving the unit please note that it must always be kept upright and then placed on an even surface.

- Remove any packaging - keeping the fan in a vertical position.
- Make sure all parts are present and unit is assembled correctly
- Connect the power plug to a working socket, and then press the power button.

MAINTENANCE

CLEANING AND STORAGE

ATTENTION: Please shut off the unit and unplug from the mains before cleaning or performing any maintenance.

Cleaning the surface

Clean the grills with a duster or a soft wet cloth.

Do not use chemical solvents (such as benzene, alcohol or gasoline) as they may cause irreversible damage. Make sure no water enters the control panel or fan motor

Do not run the unit until completely dry.

Place the fan in its original box or cover the fan to protect it from dust.

Store it in a cool dry place.

TROUBLESHOOTING

Do not repair or disassemble the unit by yourself, unauthorized repair attempts will invalidate the warranty and may cause bodily harm.

Issue	Possible Reason	Solution
No power	<ol style="list-style-type: none">1. Power cord is unconnected2. There is no power from socket3. The power switch is not on.4. The fuse has blown	<ol style="list-style-type: none">1. Connect the power cord2. Check socket is turned on3. Turn the unit on4. Replace the fuse in the plug
Odour emission from unit	<ol style="list-style-type: none">1. New unit. When the unit is used for the first time the fan motor may produce an odour which will dissipate within a week of use	<ol style="list-style-type: none">1. No action required
Strong vibrations and noise	<ol style="list-style-type: none">1. Fan is not used on a flat surface2. Fan may be damaged	<ol style="list-style-type: none">1. Place on a flat surface. May put an anti-vibration mat underneath2. if fan is damaged discontinue use and contact service centre

If the above solutions do not resolve the problem please contact the service centre.

TECHNICAL DATA:

Model	DF24B
	High Velocity
Fan Speed	3
Blade size	600 mm
Cable length	1.5 meters
Rated Input	160 Watt
Running Current	0.68 Amps
Air Flow	7000 m ³ /hr (5600 CFM)
Noise	Max 65db
Power Supply	230V/50Hz
Net Weight	9 kg
Gross Weight	10.1 kg
Net Size (assembled)	700mm x 310mm x 640mm
Gross Size (packed)	710mm x 200mm x 660mm

electriQ UK SUPPORT

www.electriQ.co.uk/support
Call: 0330 390 3061 or complete the online form
Office hours: 9AM - 5PM Monday to Friday
www.electriQ.co.uk
Unit J6, Lowfields Business Park
Lowfields Way, Elland
West Yorkshire, HX5 9DA



Disposal: Do not dispose this product as unsorted municipal waste. Collection of such waste must be handled separately as special treatment is necessary.

Recycling facilities are now available for all customers at which you can deposit your old electrical products. Customers will be able to take any old electrical equipment to participating civic amenity sites run by their local councils. Please remember that this equipment will be further handled during the recycling process, so please be considerate when depositing your equipment. Please contact the local council for details of your local household waste recycling centres.