

electriciQ

USER MANUAL



COMPACT 9,000 BTU PORTABLE AIR CONDITIONER

Thank you for choosing electriciQ
Please read this user manual before using this innovative Air Conditioner and
keep it safe for future reference.
Visit our page www.electriQ.co.uk for our entire range of Intelligent Electricals

CONTENTS

SAFETY INSTRUCTIONS	3
FEATURES	5
PARTS LIST	6
INSTALLATION	7
OPERATION AND SETTINGS	9
REMOTE CONTROL	11
WATER-DRAINAGE	12
MAINTENANCE	13
TROUBLESHOOTING	14
TECHNICAL DATA	15
ELECTRIQ UK SUPPORT	16

SAFETY INSTRUCTIONS

Important!

- Carefully read the instructions before operating the unit.
- This unit must only be connected to a 220-240 V / 50 Hz earthed outlet.
- Installation must be in accordance with regulations of the country where the unit is used.
- If you are in any doubt about the suitability of your electrical supply have it checked and, if necessary, modified by a qualified electrician.
- This air conditioner has been tested and is safe to use. However, as with any electrical appliance - use it with care.
- Disconnect the power from the unit before dismantling, assembling or cleaning.
- Avoid touching any moving parts of the appliance.
- Never insert fingers, pencils or any other objects through the guard
- This appliance is not intended for use by persons (including children) with reduced physical, sensory or mental capabilities. It is also not intended for use by those with a lack of experience and knowledge, unless they have been given supervision or instruction concerning the use of the appliance by a person responsible for their safety.
- Do not leave children unsupervised with this appliance.
- Do not clean the unit by spraying it or immersing it in water.
- Never connect the unit to an electrical outlet using an extension cord. If an outlet is not available, one should be installed by a qualified electrician.
- Never operate this appliance if the cord or plug is damaged. Ensure the power cord is not stretched or exposed to sharp objects or edges.
- The power cord must not be immersed in water, as this could result in electric shock.
- A damaged supply cord should be replaced by the manufacturer or a qualified electrician in order to avoid a hazard. Do not use the unit if the supply cord is damaged.
- Any service other than regular cleaning or filter replacement should be performed by an authorized service representative. Failure to comply could result in a voided warranty.
- Do not use the appliance for any other purposes than its intended use.
- **The air conditioner unit must always be stored and transported upright, otherwise irreparable damage may be caused to the compressor; if in doubt we suggest waiting at least 24 hours before starting the unit.**
- Avoid restarting the air conditioning unit unless 3 minutes have passed since being turned off. This prevents damage to the compressor.
- Never use the mains plug or an external plug in timer as a switch to start and turn off the air conditioning unit. Use the provided ON/OFF switch located on the control panel.
- Always place the unit on a dry and stable surface.
- The appliance should not be installed in laundry or wet rooms
- R290 refrigerant gas complies with European environmental directives.
- R290 has a low GWP (Global Warming Potential) of 3.
- The air conditioner contains about 200 g of R290 refrigerant gas.
- If the appliance is installed, used or stored in an unventilated room, the room must be such as to prevent stagnation of possible leaks of refrigerant gas as there could be a danger of fire or explosion should the refrigerant come into contact with electric heaters, stoves or other sources of ignition.
- Do not use the product and contact the retailer for advice, if damage has occurred to



the unit which may have compromised the refrigerant system.

- Any repairs or maintenance must only be carried out on the unit by a suitably qualified engineer. Before opening and servicing the unit the authorized engineer must be in possession of a copy of the manufacturer's service manual and must follow the safety information contained within it to ensure all hazards are minimized.
- The refrigerant system should not be perforated or punctured.

WARNING



- Do not use means to accelerate the defrosting process or to clean, other than those recommended by the manufacturer.
 - The appliance shall be stored in a room without continuously operating ignition sources (For example: open flames, an operating gas appliance or an operating electric heater)
 - Do not pierce or burn.
 - Be aware that refrigerants may not contain an odor.
- Do not use or store in an unventilated space with an area smaller than 9.6m² per unit. The room must be such as to prevent stagnation of possible leaks of refrigerant gas as there could be a danger of fire or explosion hazard should the refrigerant come into contact with electric heaters, stoves or other sources of ignition.

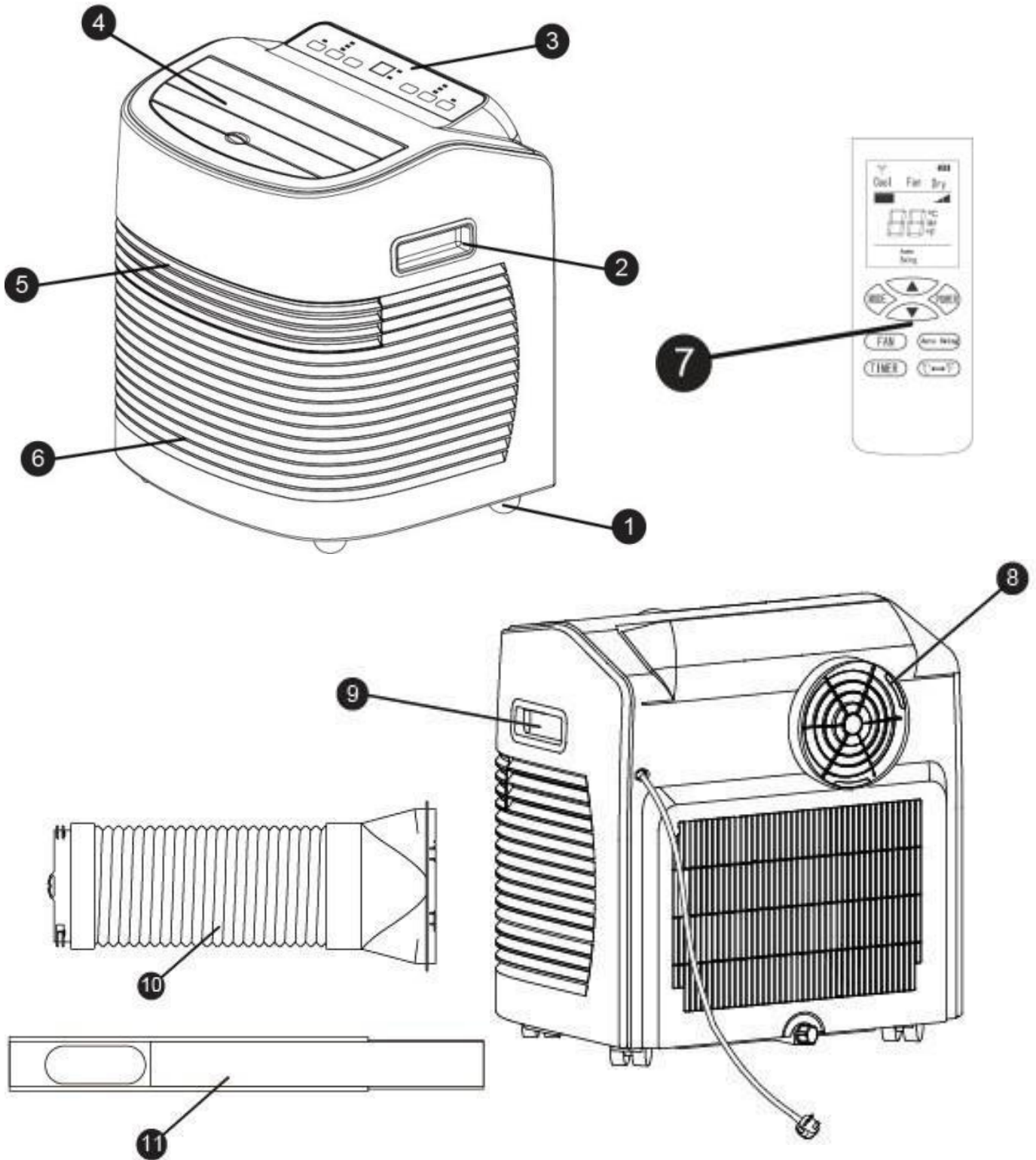
Energy Saving and Unit Safety Protection Tips

- Do not cover or restrict the airflow from the outlet or inlet grills.
- For maximum performance the minimum distance from a wall or objects should be 50cm. The unit is fitted with a thermal cut off sensor that will prevent overheating.
- Keep the filters clean. Under normal conditions, filters should need cleaning approximately once every three weeks. Since the filters remove airborne particles, more frequent cleaning maybe necessary, depending on the air quality.
- For the initial start-up set the fan speed to maximum and the thermostat to 4-5 degrees lower than the current temperature. After, set the fan switch to low and set the thermostat to your desired setting.
- To protect the unit, we recommend not using the cooling function when the ambient temperature is higher than 35°C.
- To protect the unit, we recommend not using the heating function when the ambient temperature is lower than 7°C. Use alternative heating to raise the room temperature to 10°C then start the air conditioner in heat mode and set it to the desired temperature. Heating via heat pump will take longer but is much more efficient than any other form of heating and ideal for maintaining a constant room temperature.

FEATURES

- Self-evaporative system, no external water tank needed.
- Compact design, half the size of a normal unit
- Louvres outlet closes automatically when shutting down the unit, this prevents dust and dirt entering the unit.
- Bright LCD screen, indicates temperature and operation mode.
- Advanced LCD Remote control.
- Compressor protection technology.
- 1-24 hrs start / stop timer.
- 3 speed fan allows user to achieve the best balance between maximum cooling and lowest noise level.

PARTS LIST



- 1. Castors
- 2. Handle
- 3. Control panel
- 4. Air outlet Louver
- 5. Air inlet grill
- 6. Air inlet

- 7. Remote control
- 8. Air outlet hose connector
- 9. Handle
- 10. Exhaust pipe assembly
- 11. Window sealing plate assembly

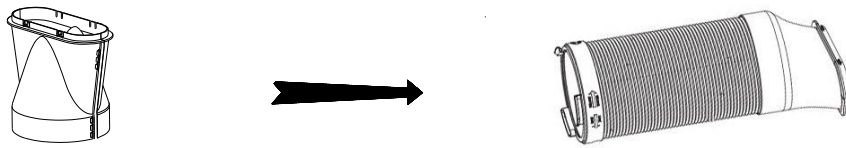
INSTALLATION

WARNING: Before using this unit, please keep it upright for at least 3-4 hours.

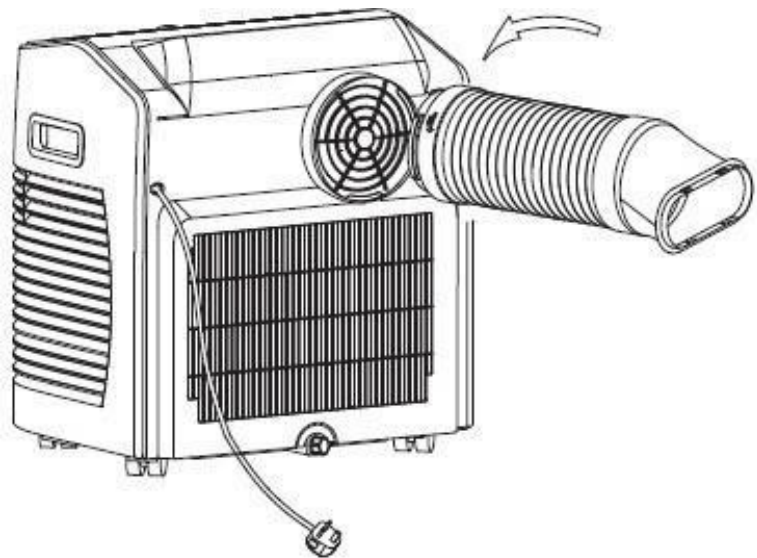
This unit can easily be moved from one room to another.

While moving the unit please note that it must always be kept upright and then placed on a dry, even surface.

1. Assemble the fishtail connector on to the hose by extending the end of the hose and twisting the fishtail into position (At least 3 full rotations).

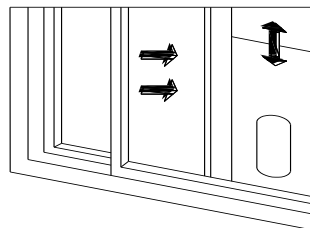
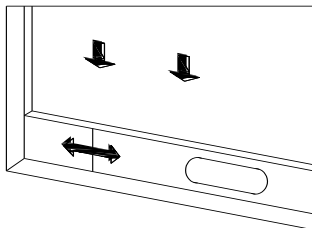


2. Twist the connector on the opposite end of the hose into the Air outlet hose connector on the rear of the appliance.

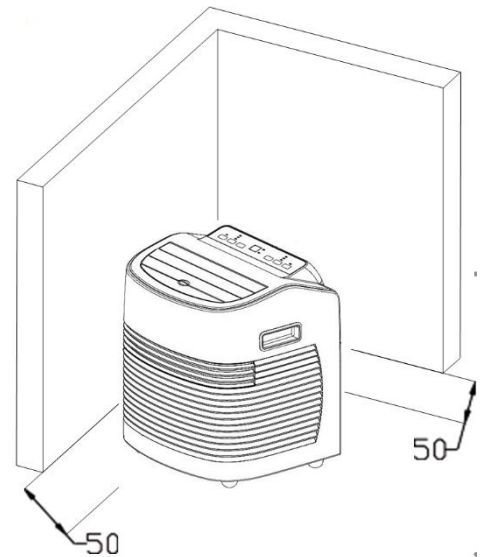
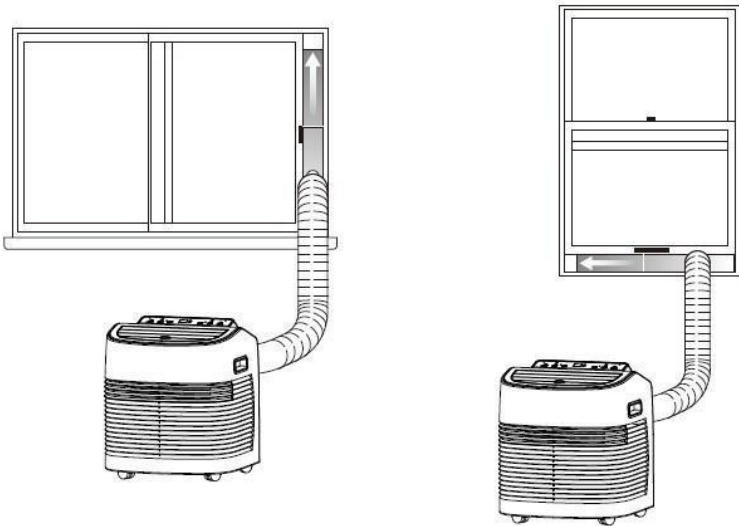


INSTALLATION OF WINDOW KIT

3. Partially open the window and then fix the window kit to the window.



4. Make sure the unit is upright and there are no obstructions to the air inlets and outlet grill. The unit should be positioned at least 50cm away from walls or other objects within the room.



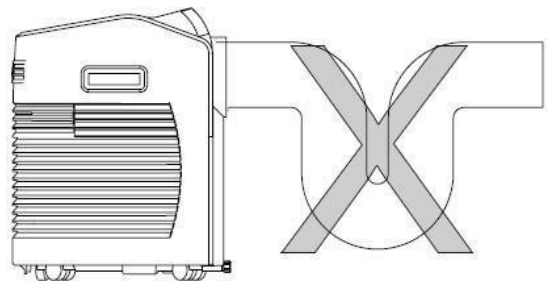
5. Fix the other end of the hose to the air-outlet window kit

NOTE: The window kit is only designed to be installed with sliding or sash windows or doors. The window kit is not designed or to be used with any other style of windows. However the fish tail adaptor can be used with most windows / doors. When using the cooling mode, ensure that the opening is as small as possible. The best form of installation is through a wall duct. Please note that the unit will need to be vented outside.

IMPORTANT SAFEGUARDS

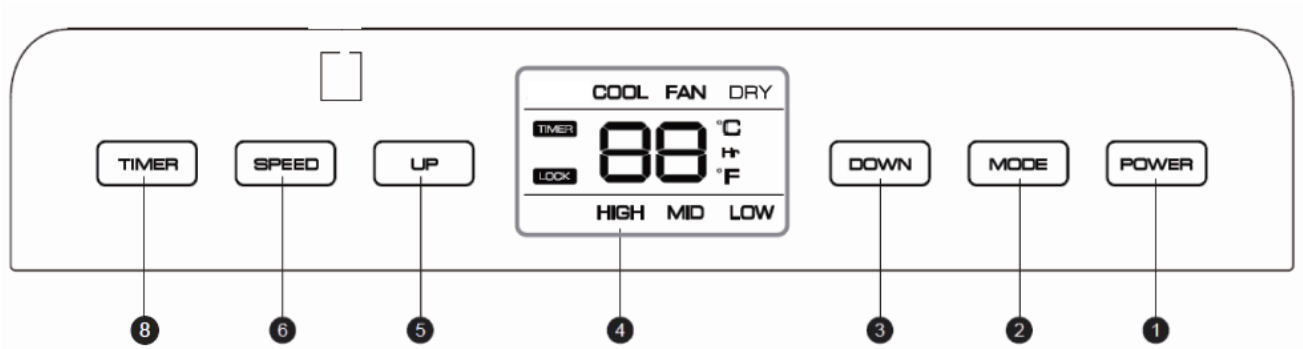
The length of the soft hose extends from 28 cm to 150 cm. If hose is extended above this length the unit may malfunction and this can invalidate the warranty.

The outlet vent must be well ventilated and not obstructed as this will cause the unit to overheat. Avoid bending the air hose more than 30 degrees.



If the unit does not reach the desired venting point it may be installed on a flat surface such as a table, although precautions should be taken to ensure the unit is not at risk of falling.

OPERATION AND SETTINGS



POWER BUTTON

Press to turn the unit “ON” or “OFF”

MODE BUTTON

Press this button to select between the Cooling, Fan and Dehumidify (Dry) modes

COOLING MODE: Cold air will be expelled through the front of the unit and hot air will be expelled through the vent hose.

DEHUMIDIFY MODE (DRY): The dehumidify function can only be used when the room temperature is above 17°C. The unit should be set up without a vent hose, moisture is extracted from the air that passes through the unit. Continuous drainage should be set up for the moisture collected (Drainage pipe not included). If continuous drainage is not set up, the internal water tank will fill and FL will display when full.

FAN MODE: No cooling effect, circulates air within the room, vent pipe not required.

UP & DOWN BUTTONS

During the cooling function – These buttons raise or lower the temperature by 1°C for each press. The minimum temperature is 16°C and maximum is 30°C.

FAN SPEED

Press the SPEED button to select either LOW, MEDIUM or HIGH fan speed.

NOTE: In dehumidifying function, this button is invalid as the unit is designed to run at low speed in dehumidifying mode.

TIMER BUTTON

The in-built timer will allow you to set the unit to turn on or turn off after a set period of time, please note only one timer can be used at any time.

ON TIMER – The timer will turn on the unit automatically after the time set has elapsed.

1. With the unit turned off, press the TIMER button, then set the number of hours' time you desire the unit to start by pressing the UP and DOWN buttons.
2. Once the set time has elapsed, the unit will turn on automatically.
3. Press the POWER button before the time has elapsed and the unit will turn on as normal and the timer will be cancelled
4. The function and fan speed can be set whilst setting the timer.

OFF TIMER – The timer will turn off the unit automatically after the time set has elapsed.

1. While the unit is operating, press the TIMER button then set the number of hours' time you desire the unit to stop by pressing TEMP+ or TEMP- button.
2. Once the set time has elapsed, the unit will turn off automatically.
3. Press the POWER button before the time has elapsed, the setting time will be cancelled and the unit will turn off.

TANK FULL INDICATOR

When the water tank is full and requires emptying, FL will flash on the LCD screen. Drain the tank following the information provided in the water drainage section.

LED DISPLAY

The display indicates the current target temperature or the remaining timer settings. When the set temperature or the timer is adjusted, the new setting is shown.

The display is also used to show error codes.

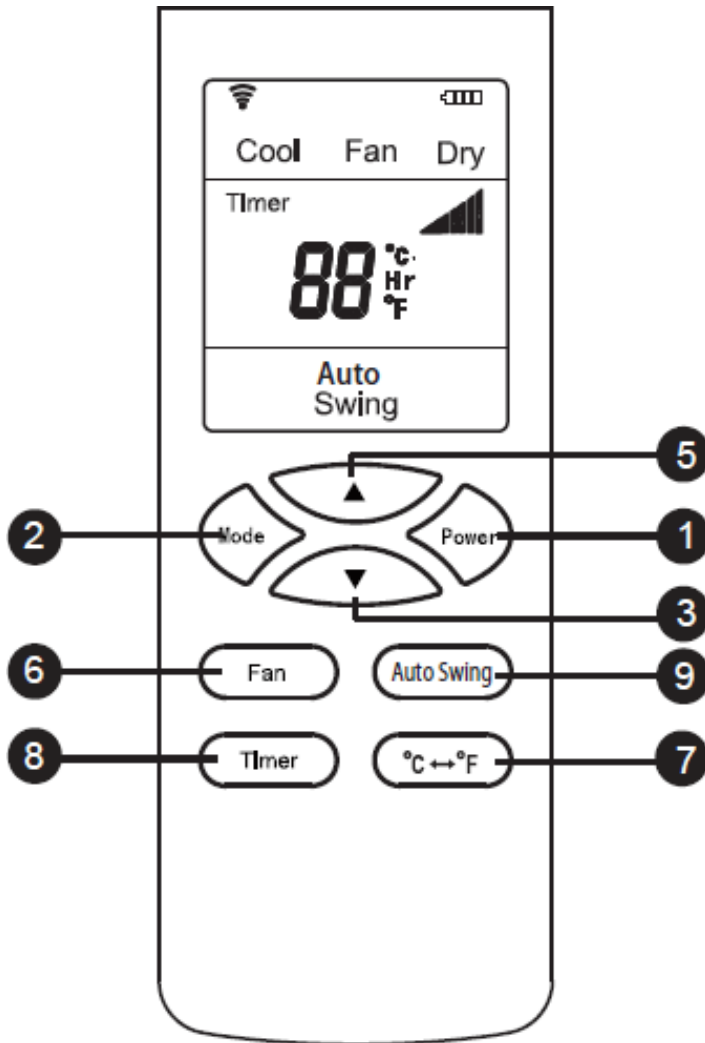
COMPRESSOR DELAY PROTECTION

The unit will operate for 3 minutes before the compressor starts, apart from the first power-on.

ANTI FREEZE PROTECTION

The compressor and water motor will stop working if the copper coil temperature falls below 0°C for over 20 seconds. The appliance will remain in defrost mode until the temperature of the copper coils exceed 8°C.

REMOTE CONTROL



The majority of functions on the remote are the same as those on the main control panel

AUTO-SWING BUTTON

After the unit has been turned on and a mode has been selected, press this button and the louver will swing continuously up and down; by pressing this button again the movement will stop and the louver remain fixed in position.

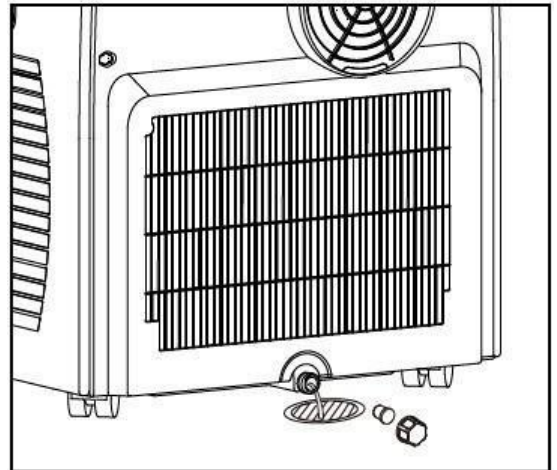
CHANGE BETWEEN FARENHEIT AND CELSIUS

To change the unit of measurement shown on the display, press the °C ↔ °F button.

WATER-DRAINAGE

MANUAL DRAINAGE:

1. When the internal water tank is full the unit will stop working and display the message "FL" on the display.
2. Shut off the unit and unplug. Try not to move the model abruptly as this may cause water to spill out from internal water tank.
3. Place a tray under the water plug.
4. Unscrew the water plug and unplug the water blocker - water will drain from the internal tank.
5. Place the water blocker back in position and screw the water plug back into place



CONTINUOUS DRAINAGE:

1. Unscrew off the water plug and unplug the water blocker.
2. Use a water pipe to connect to the water outlet.
3. You can plumb this pipe into your current plumbing system, lead it outside or use a water pump.

Note: This model has a self-evaporative function, which reduces the need to empty the water tank. If the unit is vented correctly most of the water is reused to cool the condenser coils and any excess is evaporated. Please do not use continuous drainage if you intend to use the self-evaporating facility. In heating or dehumidifier mode you may need to use the permanent drainage.

MAINTENANCE

CLEANING

Please shut off the unit and unplug from the mains before cleaning or performing any maintenance

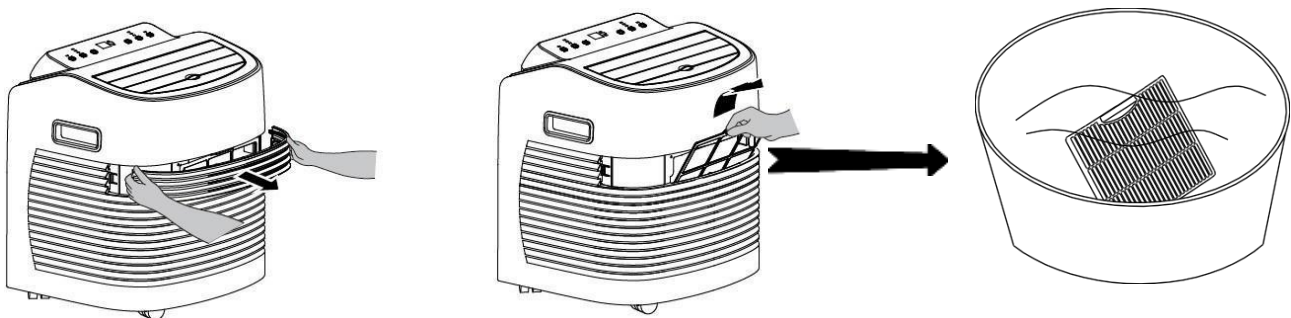
CLEAN THE SURFACE

Clean the plastic housing with a duster or a soft wet cloth.

Do not use chemical solvents (such as benzene, alcohol or gasoline) as they may cause irreversible damage.

AIR FILTER CLEANING

- a) Clean the air filters every 2 weeks. If the air filter is blocked with dust, the unit's performance will be significantly affected.
- b) Disconnect the power plug from the socket before dismantling, assembling or cleaning
- c) Pull out the filters as shown in the pictures below.
- d) Wash the mesh air filters by immersing them in warm (about 40°C) water with a neutral detergent.
- e) Rinse it and then dry it thoroughly.
- f) Carefully re-install air filters back into the unit.



END OF SEASON MAINTENANCE

1. Pull out the plug from the drainage hole and empty the internal tank. You can also drain the water by leaning the unit.
2. Then switch the unit to low fan mode.
3. Keep the unit in this mode for half day - until the conduit is dried. Doing this helps to keep the inside of the unit dry and prevents mould developing
4. Turn off the unit and pull out the plug.
5. Coil the wire and bind it together, then put it into the accessories space.
6. Separate the air-exhausted pipe and store it safely.
7. Cover the unit and keep it in a dry place.
8. Take the batteries out of remote control and store, or dispose, them safely
9. Keep all accessories with the unit ready for next season.

TROUBLESHOOTING

Do not repair or disassemble the unit by yourself, unauthorized repair attempts will invalidate the warranty and may cause bodily harm.

Problem	Reason	Solution
The unit does not work	No power supply	Power-on and turn on the unit.
	Water-full indicator illuminated	Drain the internal water tank
	Timer function is active	Cancel Timer function
	Room temperature too low or too high	Use only in ambient temperatures between 7-35°C
The unit does not seem to perform.	In direct sunlight	Draw the curtains, UV affects RC
	Windows or doors open. Large amount of people or a heat source in the room.	Close windows and turn on another air conditioner
	Filter is very dirty	Clean or change the air filter
	Air inlet or air outlet is blocked	Clear out debris
	Room temperature is lower than setting temperature	Change the setting temperature
The unit is loud	The unit is not put on flat surface	Put the unit on flat and hard surface
Compressor does not work	Overheating protection is active	Check venting. Restart the unit after 5 minutes when compressor has cooled
Remote control doesn't work	Operating distance is too far.	Move remote control closer to the unit and make sure it aims at the air-outlet grille
	Control panel has not received the signal from remote control.	
	The batteries are flat	Replace the batteries
E1 on LCD	Coil temperature is abnormal	Refer to Service Centre (check coil temperature sensor or relevant circuit)
E2 on LCD	Room temperature is abnormal	Temperature not within 17-35°C operating range. If temperature within operating range refer to Service Centre (check room temperature sensor or relevant circuit)
E4 on LCD	Anti-freeze protection	Waiting for defrosting. Function will recover automatically. No user input needed.
FL on LCD	Water tank is full inside the machine	Drain out water from drain port at bottom rear of the unit.

If the above solutions do not resolve the problem please contact the service centre.

TECHNICAL DATA:

Capacity	Cooling:2.6 kW / 9,000 BTU
Rated Power input	Cooling 0.96 kW
Running Current	4.8 Amps
Airflow	360 m ³ /h
Noise	63 db(A) Sound Power 53-57 db(A) Sound Energy
Permitted Excessive Operating Pressure	0.8MPa/2.8MPa
Maximum Allowable Pressure	1.3MPa/3.8MPa
Power Supply	220-240V / 50Hz
EER	2.61
Refrigeration Gas	R290 200g
Moisture Removal	30 Litres/day (at 30°C, 80%RH)
Net Weight	27 kgs
Dimensions (WxDxH)	48 x 43 x 51cm

The unit must be externally vented in cooling mode.

For the purposes of EU regulation EN12102 this is a local air conditioner and produces less than 65dB(A) sound energy.



R290

electriQ UK SUPPORT

www.electriQ.co.uk/support

Please, for your own convenience, make these simple checks before calling the service line.

If the unit still fails to operate call: 0330 390 3061 or complete the online form

1. Has the unit been standing upright for at least 2 hours?
2. Is the unit plugged into the mains?
3. Is the fuse OK?
4. Switch the unit off and wait three minutes to see if the issue is resolved. Restart the unit.
5. Check if the water tank is full.

Office hours: 9AM - 5PM Monday to Friday

www.electriQ.co.uk
Unit J6, Lowfields Way
Elland, West Yorkshire
HX5 9DA

Disposal: Do not dispose this product as unsorted municipal waste. Collection of such waste must be handled separately as special treatment is necessary.



Recycling facilities are now available for all customers at which you can deposit your old electrical products. Customers will be able to take any old electrical equipment to participating civic amenity sites run by their local councils. Please remember that this equipment will be further handled during the recycling process, so please be considerate when depositing your equipment. Please contact the local council for details of your local household waste recycling centres.

V 20210331