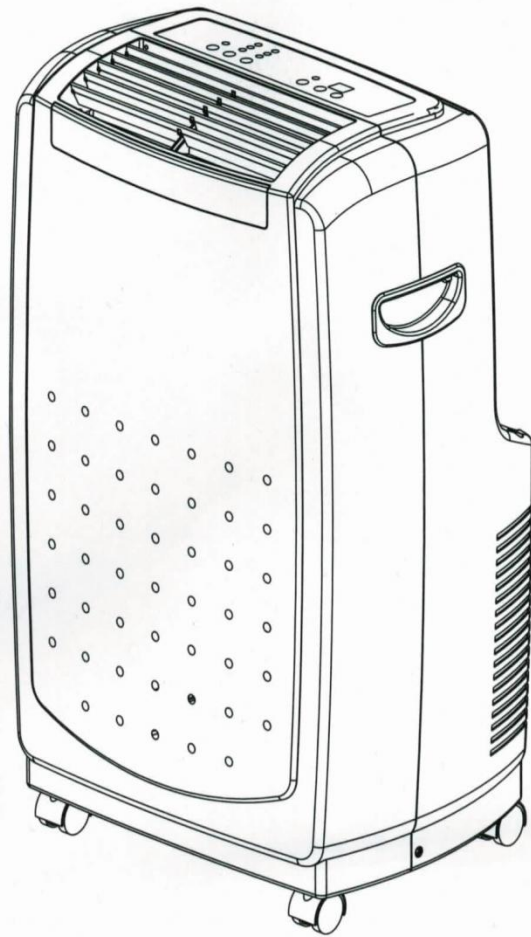




USER INSTRUCTIONS FOR HOMEBASE
PORTABLE 12k BTU AIR CONDITIONER
MODEL No. 641638



CONTENTS

Introduction
Safety Notes
Identification of parts
Installation instructions
Operation instructions
Maintenance
Troubleshooting

Introduction

Thank you for choosing this portable air conditioner to provide you and your family with all of the "Home Comfort" requirements for your home, or office. The appliance can be moved from room to room within your home and set-up in just minutes.

It is a multi-functional room air exchanging, air-processing appliance, designed to offer you the functions of: Air Conditioning, Dehumidifying, heating (for heating models only) and Independent Fan.

This manual will provide you with valuable information necessary for the proper care and maintenance for your new appliance. Read these instructions fully before operating the unit and retain them for future reference. If properly maintained your appliance will give you many years of trouble free operation.

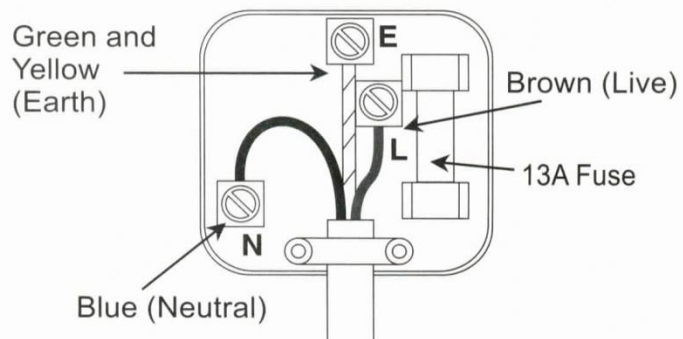
SAFETY NOTES

1. Do not connect to any AC socket outlet that is damaged.
2. Do not use in the following locations:-
 - Next to a source of fire.
 - An area where oil is likely to splash.
 - An area exposed to direct sunlight.
 - An area where water is likely to splash
 - Near a bath, shower or a swimming pool
 - In a greenhouse
3. Never insert your finger or any foreign objects into the air outlet. Take special care to warn children of these dangers.
4. Always store the unit upright in order to maintain the compressor in a proper working condition. If not, leave the unit upright for at least 24 hours before operating.
5. Always unplug the unit before cleaning.
6. Do not cover the unit.
7. If the supply cord of this appliance becomes damaged, it must be replaced by a qualified engineer.
8. This appliance is fitted with an approved BS 1363 13A 3 pin plug and a 13A BS 1362 fuse. In the event of either requiring replacement ensure that equivalent rated and approved components are used. See plug replacement details below.
9. **IMPORTANT:** If this unit is sited in a room containing a fuel burning appliance, the installer must ensure that the air replacement is sufficient for both the unit used as an air conditioner and the fuel burning appliance

PLUG REPLACEMENT

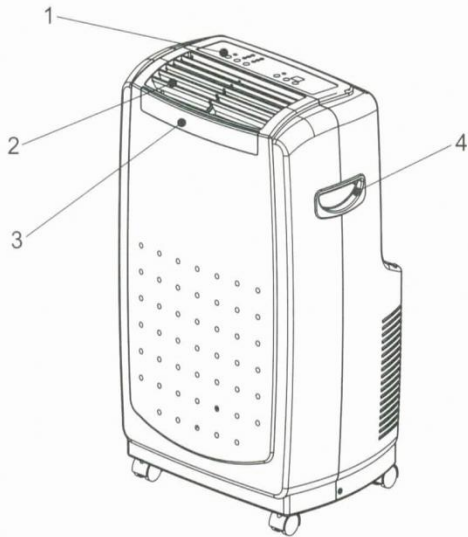
If the plug is damaged and requires replacement, follow the wiring instructions supplied with the new plug.

1. The green and yellow wire must be connected to the terminal marked with the letter E or the earth symbol.
2. The blue wire must be connected to the terminal marked with the letter N.
3. The brown wire must be connected to the terminal marked with the letter L.
4. A 13 amp plug to BS 1363 must be fitted a 13 Amp fuse to BS 1362.

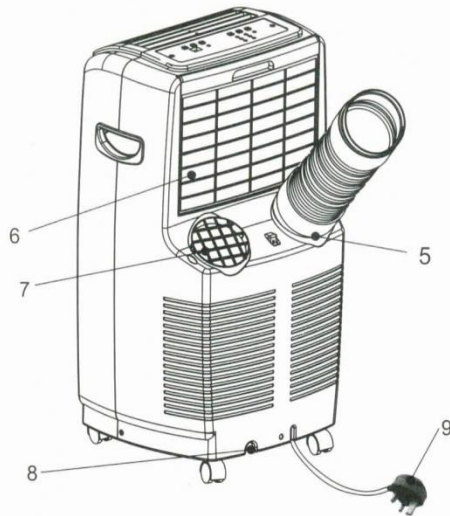


For your safety and protection, this unit is earthed through the power cord plug when plugged into a matching wall socket. If you are not sure whether the wall sockets in your home are properly earthed, consult a qualified electrician. Do not use plug adaptors or extension cords with this unit.

Identification of Parts



1. Control Panel
2. Cold air outlet
3. Remote control receiver window
4. Transport handle
5. Air outlet hose



6. Evaporator air intake
7. Air intake
8. Drain port
9. Mains lead

Installation

The air conditioner is supplied with the following accessories

Item	Description	Quantity (No. off)	
A	End Fitting A	1	
B	End Fitting B	1	
C	Vent Hose	1	
D	Window / Door Fitting	1	
E	Wall Fitting	1	
F	Wall Fitting Cap	1	

Select a suitable location for the unit

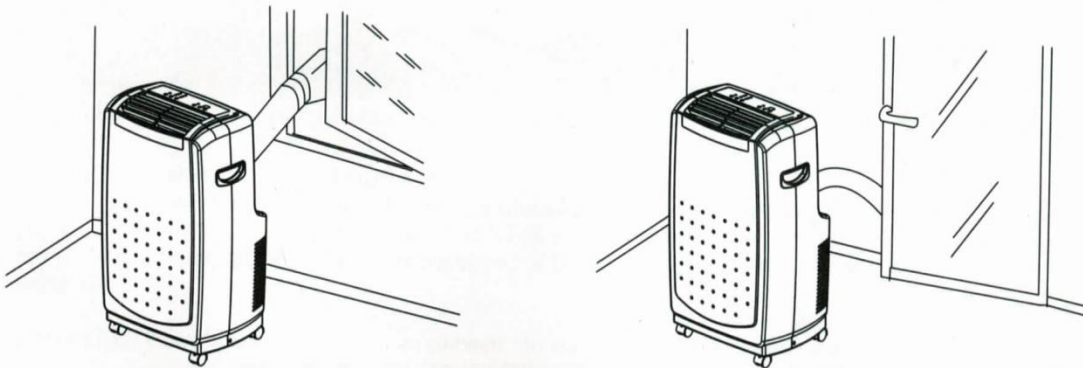
- The unit should be positioned beside a window or door to allow the vent hose to reach outside the room.
- The air intake should be a minimum distance of 50cm from any object.
- Do not install the unit underneath desks or inside cupboards as this will restrict the operating air flow.
- Ensure that there are no obstructions to the air intake or air outlet.
- Ensure that the air intake is not being blocked by curtains, or similar objects.
- The end of the vent hose should not be blocked by a shutter or similar device.
- When fitting the vent hose it should be kept as straight as possible.

Exhaust Air Ducting

This can either be done as a temporary installation through an open door or window, or as a permanent installation through a wall.

Temporary Installation

- 1) Attach one end of the vent hose (item C) to the exhaust air outlet of the air conditioner using an end fitting (item A).
- 2) Attach the other end of the vent hose (item C) to the window / door fitting (item D) by means of an end fitting (item B).
- 3) Put the window / door fitting (item D) through an open window or door, keeping the opening to a minimum.



The unit must be positioned at least 10cm away from curtains and drapes.

Permanent installation

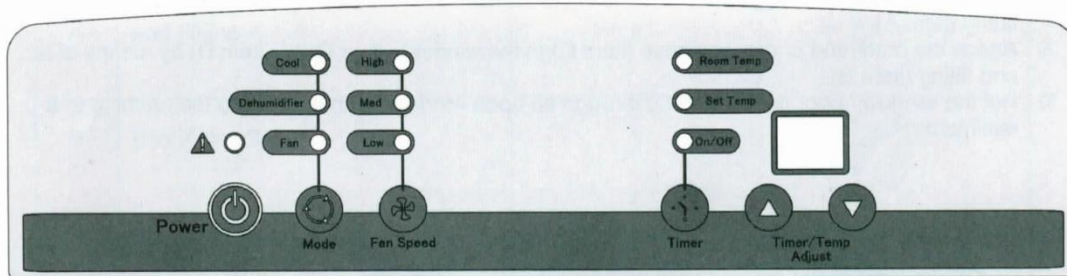
Whilst there is a wall fitting and wall fitting cap supplied with the air conditioner, it is recommended that use is made of the separately available wall venting kit*, which also contains an external grille and hose to pass through the wall. (*for details, telephone 0121 565 7776).

- 1) Make a suitable size hole through the external wall to accept the hose in the wall venting kit.
- 2) Secure the flexible ducting in the wall venting kit to the wall fitting using cable ties.
- 3) Pass the flexible ducting through the hole in the wall from the inside.
- 4) Fix the wall fitting to the surface of the internal wall using suitable wall plugs and fixing screws.
- 5) Attach the external grille to the other end of the flexible ducting using cable ties and fix to the outside wall using suitable wall plugs and fixing screws.
- 6) Attach one end of the vent hose to the exhaust air outlet of the air conditioner using an end fitting (item A).
- 7) Attach the end fitting (item B) for the wall fitting kit to the other end of the vent hose and fit it into the wall fitting.
- 8) When not in use, cover the hole with the wall fitting cap .

Operation

IMPORTANT:- Ensure that the drain plug is in place before operating the unit

CONTROL PANEL



CONTROLS

Power Control

The power control turns the unit on and off.

When the plug is first plugged into a socket the machine will go into stand-by mode. Pressing the "Power" button will turn the machine on. Pressing the "Power" button again will put the machine back into stand-by mode.

Warning Light

This warning light will illuminate (Red) when the water tank within the machine is full and the machine will stop. If after draining the tank, the warning light remains on, this could indicate that there may be a fault with the machine. If this is the case, do not attempt to operate the machine and call the service number.

Mode Control

The mode control has three settings • Cool • Dehumidifier • Fan

Repeated pressing of the mode button will select the modes in order as follows:-

Cool Mode - LED next to the "COOL" legend will illuminate green.

Dehumidifier Mode - LED next to DEHUMIDIFIER legend will illuminate orange.

Fan Mode - LED next to FAN legend will illuminate yellow.

Note:- In Cool mode and Fan modes, the fan speed can be set to High, Medium and Low. When Dehumidifier mode is selected and the room temperature is below 25°C, the fan speed is automatically set to medium and cannot be altered from this setting. When the room temperature is above 26°C the fan speed is adjustable.

Cool Mode

In this mode the air is cooled and hot air is exhausted through the vent hose to outside the room. Fan speed and temperature can be adjusted to suit the comfort level required.

Dehumidifier Mode

Air is dehumidified as it passes through the air conditioner and the damp warm air should be exhausted by means of the vent hose to outside of the room.

Fan Mode

Air is cooled and circulated throughout the room. Note:- It is not necessary for the vent hose to exhaust outside the room.

Fan Speed

The fan speed can be set to high, medium or low. Note:- In dehumidifier mode, depending on the room temperature, only medium fan speed is available. (See Note in Mode Control above).

Operation Continued

Timer

Press the Timer button to set the timer. The green LED next to the ON/OFF legend will flash on and off for 15 seconds.

While the green LED is flashing, press the timer/temp adjust buttons (▲▼) to select the time (in hours, between 00 and 12) for either of the timer modes "a" or "b" as detailed below. The time selected is shown on the display panel. After the 15 seconds the display will revert to showing the room temperature.

If no time has been selected the timer will be off and the green LED will not be illuminated.

Timer mode a) Auto Turn Off:- With the machine on and running press Timer and then the Timer/Temp Adjust buttons (▲▼) to select the number of hours you would like the unit to run until it automatically shuts off. The green timer LED will remain lit.

Timer mode b) Auto Turn On:- Switch the machine on using the Power button so that the machine is running and the desired mode is selected. Press the power button again to put the machine into stand-by mode. With the machine in stand by mode, press the Timer button and then press the Timer/Temp Adjust buttons (▲▼) to select the number of hours until it is required for the machine to start up automatically. The green LED will continue to flash and the display will show the time set.

Timer/Temperature Adjust buttons

In Cooling or Dehumidifying mode, the temperature can be manually set by pressing the Timer/Temp Adjust buttons (▲▼) between the limits of 16° to 32°C as shown in the display panel. This cannot be done in Fan mode. The default setting is room temperature. After 15 seconds the display will revert back to room temperature.

IMPORTANT

When the appliance is in Cool or Dehumidifier mode, most moisture will be vented out through the vent pipe. However, in certain circumstances some condensation may collect in the water tank at the bottom of the

chassis. When this tank is full, the "water full" indicator (▲) will illuminate (red) and the appliance will stop running. The appliance should then be unplugged from the supply socket and the rubber plug in drain port at the lower rear of the machine should be pulled out to drain the water into a suitable container. Alternatively, move the appliance to a suitable place to drain the water.

Note: When the water full light (▲) is on, the water should be drained out. If the water is not drained out, the appliance will not operate.


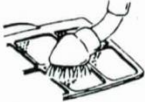
Trouble Shooting

The following cases may not always indicate a fault, please check the unit before contacting the service number.

Problem	Possible Cause
Does not run	<ul style="list-style-type: none">• The protector trip or fuse is broken.• Wait for 3 minutes and start again, protector device may be preventing unit from working.• Batteries in the remote controller exhausted. Try operating the machine using the control panel.• The plug is not properly inserted into the supply socket.
Run a short while only	<ul style="list-style-type: none">• The set temperature is close to room temperature. Try lowering the set temperature.• Air outlet is blocked by obstacle. Remove obstacle.
Run but not cool	<ul style="list-style-type: none">• The door or window is open wide.• There is another heating appliance working in the room, like heater or lamp, etc..• The air filter is dirty. Clean it.• Air outlet or intake is blocked.• Set temperature is too high. Reduce set temperature.
Water leak during moving	<ul style="list-style-type: none">• Drain the condensation before moving.
Do not run and water full indicator lights	<ul style="list-style-type: none">• Pull out the rubber plug to drain water• If this occurs regularly, please contact the service centre.

Maintenance

Appliance maintenance	
<p>1 Cut off the power supply</p> <p>Turn off the appliance first before disconnecting from power supply</p>	
<p>2 Wipe with a soft and dry cloth.</p> <p>Use lukewarm water (below 40°C) to clean if the appliance is very dirty.</p>	
<p>3 Never use volatile substance such as gasoline or polishing powder to clean the appliance.</p>	
<p>4 Never sprinkle water onto the main unit.</p>	 <p>Dangerous! Electric shock!</p>

Air filter maintenance	
<p>It is necessary to clean the air filter after using it for about 100 hours. Clean it as follows:</p>	
<p>1 Stop the appliance and remove the air filter.</p>	
<p>2 Clean and reinstall the air filter</p> <p>If the dirt is conspicuous, wash it with a solution of detergent in lukewarm water. After cleaning, dry it in a shaded and cool place, then reinstall it....</p>	
<p>3 Clean the air filter every two weeks if the air conditioner operates in an extremely dusty environment.</p>	

Maintenance

1. The air filter should be cleaned periodically. The intervals between cleaning will depend on the amount of airborne dust in the area in which the unit is used. The air filter is removed by sliding it vertically upwards from out of the back of the unit. Wash the filter by immersing it gently in warm water (about 40°C) with a neutral detergent. Rinse the filter and allow to dry. Replace the filter by sliding it down into the back of the unit
2. If the appliance will not be used for a long time, it is important to pull out the rubber plug from the drain port at the lower rear of the machine, in order to drain the water.
3. Clean the air filter and reinstall it.
4. Remove the air hose and keep it in a safe place.
5. Cover the unit and store in a dry place.

Specification

The figures below are for reference only; and are based on practical operation.
Performance may vary slightly depending on environmental conditions.

Description of product	Portable Air Conditioner
Homebase Model No.	641638
Voltage/Frequency	AC 220-240V / 50Hz
Input Power (Cooling)	1400 W
Operating Cycle (Cooling)	6.2 A
Operating Cycle (Heating)	N/A
Cooling Capacity	12000BTU/Hr / 3.5 kw
Dehumidifying capacity	2.2 L/hour
Coolant	R-410A
Timer	12 hour
Dimensions (W) X (H) X (D)	50 cm X 84.5 cm X 40 cm
Weight (N.W.)	35Kg



NOTE:

This product should not be disposed of with household waste.
Please recycle where facilities exist.
Check with your local authority for recycling advice



Produced for Homebase

Helpline Telephone No. 0845 330 6380
Monday - Friday 9am - 6pm, Saturday 10am - 6pm.