



HOME DEHUMIDIFIER

THANK YOU

Thank you for choosing this innovative Home Dehumidifier. We suggest that you keep this manual in a safe place for future reference. It explains the many benefits and advanced features this unique product has to offer. Before you use your new Home dehumidifier you should carefully read these instructions to maximise this products performance.

For over 60 years Amcor has specialised in complete indoor environmental control, manufacturing and marketing dehumidifiers, portable air conditioners, coolers, air purifiers, ionisers and aroma therapy scent diffusers. These world class products incorporate the latest technological developments.

ELECTRICAL CONNECTION - UK ONLY

For your safety please read the following information.

Warning: This appliance must be earthed.

The appliance is supplied with a moulded 13 amp 3 pin mains plug fitted with a 13 amp fuse. Should the fuse require replacement, it must be replaced with a fuse rated at 13 amp and approved to BS1362.

The plug contains a removable fuse cover that must be refitted when the fuse is replaced. In the event of the fuse cover being lost or damaged, the plug must not be used until a replacement cover has been obtained.

If the moulded mains plug is unsuitable for the socket outlet in your home or is removed for any other reason, the the fuse should be removed and the cut off plug disposed of safely to prevent the hazard of electric shock.

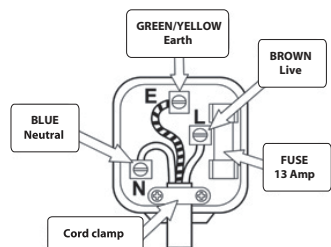
There is a danger of electric shock if the cut off plug is inserted into any 13 amp socket outlet.

Important: how to wire a 13 amp plug

The wires in the mains lead on this appliance are coloured in accordance with the code: GREEN AND YELLOW – EARTH BLUE – NEUTRAL BROWN – LIVE

As the colours may not correspond with the markings identifying the terminals in your plug proceed as follows:

- The GREEN AND YELLOW wire must be connected to the terminal in the plug which is marked with the letter E or with the earth symbol \oplus or coloured green and yellow.
- The BLUE wire must be connected to the terminal marked N or coloured black.
- The BROWN wire must be connected to the terminal marked L or coloured red.



IMPORTANT SAFETY INSTRUCTIONS

Before any installation, use or maintenance, read the safety instructions in this manual carefully.

Remove all packaging materials from the unit, keep it away from babies and small children to avoid the danger of suffocation.

Pull out the water tank and remove the power cable. Ensure the cable is free of any bends or kinks before use. Before inserting the plug in the wall socket make sure that the voltage is within the range indicated on the rating label on the unit.

The dehumidifier is intended exclusively for the use for which it was created. Amcor is not responsible for any damage caused by improper use.

As with all electrical appliances, please use with care.

The first time that you use the unit please ensure that it has been standing for 2 hours in an upright position before it is switched on.

NOTE: The unit is not to be used in temperatures under 5 °C. IMPORTANT!

- The unit is designed for indoor operation.
- Rating: This unit must be connected to a 220-240 V / 50Hz earthed outlet.
- Installation must be in accordance with regulations of the country where the unit is used.

If you are in any doubt about the electrical installation, have it checked and if necessary modified by a qualified electrician.

- Unplug when not in use. Do not unplug by pulling the cord.
- Do not operate this product with wet hands.
- Keep out of the reach of children.
- Do not clean the unit by spraying it or immersing it in water.
- Disconnect it from the mains before cleaning the unit or any of its components.
- Always unplug before changing the carbon filter.
- Do not connect the unit to an electrical outlet using an extension cord. If a power outlet is not available, one should be installed by a licensed electrician.
- The appliance is not to be used by children or persons with reduced physical, sensory or mental capabilities, or lack of experience and knowledge, unless they have been given supervision or instruction.
- Children should be supervised to ensure that they do not play with the appliance.

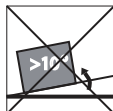
Do not use your dehumidifier under the following conditions:



If the power cable wires are frayed or cut



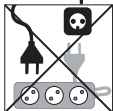
When small children may be left unattended



On a slope or uneven surface



Close to a heat source



If an extension cord is needed to reach an outlet



Where the power cable may be damaged



This product is not made for DIY repair



If there is a risk of liquid falling on the unit



Inside unit exposed to the weather outdoors



In a permanent very humid environment



Where it may be damaged by chemicals



Where there is a risk of interference by foreign objects

PLACEMENT

Your AMCOR dehumidifier will begin to protect your home from the harmful effects of excessive moisture as soon as it is turned on.

Excess moisture travels throughout your home, in the same way that cooking smells spread around the house. For this reason, the dehumidifier should be positioned in a central and clear location so that it can draw this moist air from all over the home. A warm hallway or landing is an excellent position for your dehumidifier. If possible, leave interior doors ajar to allow air circulation. Alternatively, if you have a serious problem in one area you can begin by positioning the dehumidifier there and moving it to a more central location at a later date.

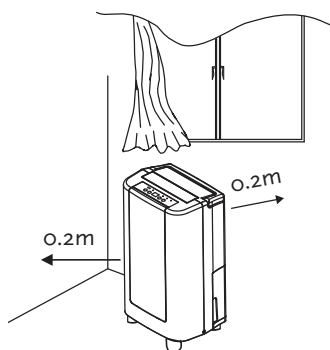
For the most effective use, run your dehumidifier with external doors and windows kept closed. Please note the unit should not be placed directly against a radiator or other heat source.

When positioning your AMCOR dehumidifier, ensure that it is placed securely on a level surface clear of any obstacle that may limit the air movement.

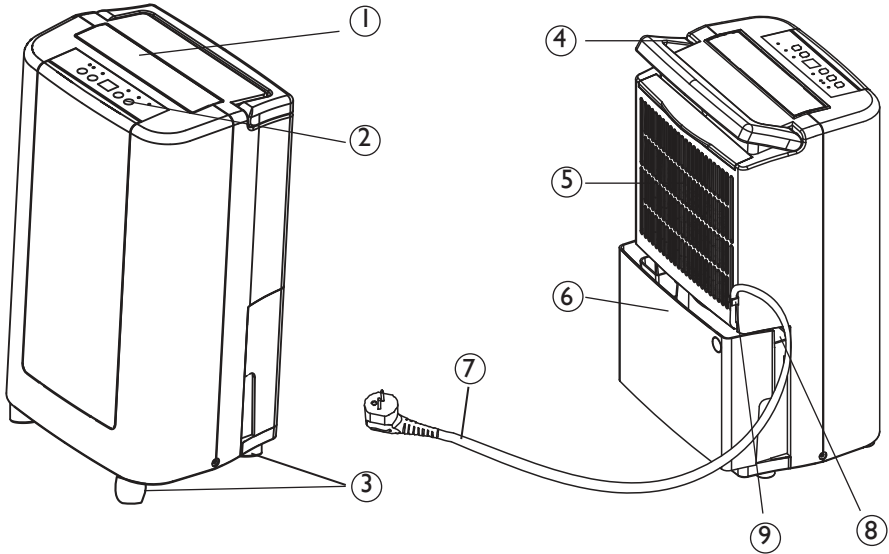
Before you move the unit, switch it off and empty the water tank.

IMPORTANT:

Keep a minimal 0.2m safety distance between the appliance and any inflammable surface



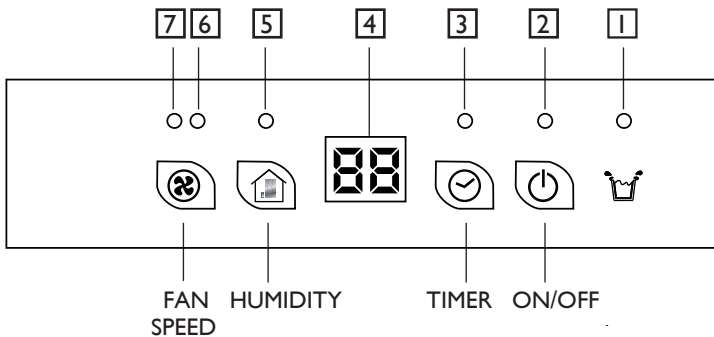
PARTS



1. Air outlet
2. Control Panel
3. Castors
4. Handle

5. Air inlet & filter
6. Water tank
7. Supply cord
8. Continuous drainage port
9. Cable clip

CONTROLS



LED indicators & Display:

1. Water tank full
2. On/Off Switch
3. Timer
4. LED display
5. Humidistat settings
6. Low fan speed
7. High fan speed

OPERATION

Switching the unit ON and OFF

When the unit is plugged in, a buzzer will beep and the display will show the room humidity. Before you start the unit, open the air outlet[1].

Push the ON/OFF button once to start operation at the default humidity level 60% with low fan speed, LED [2] and LED[6] will light.

Push the button again will switch the unit off.

Setting the Timer

The timer switches the unit on and off automatically within 24 hours. When the TIMER is set, the LED [3] will light up.

Programming the timer for ON - when the unit is OFF


When the unit is plugged in but not running, push the TIMER button repeatedly to desired hour when the unit will switch ON.

Programming the timer for OFF - when the unit is ON

When the unit is running, push the TIMER button repeatedly to desired hour when the unit will switch OFF.

Cancelling the timer

In order to cancel the timer setting, push the TIMER button to adjust the timer to

, the LED [3] will go off.

Setting the Humidity level

The humidistat range for this unit is 40% to 80%.

Push the HUMIDITY button to set the desired humidity level, (the humidity can be set in steps of 5%) the display will show the circle as: 60, 65...80, 40, 45...60. LED [5] will light during the setting.

When the dehumidify function is operating, the LED [2] will light.

If the room humidity is lower then the selected humidity, the unit will stop dehumidify automatically, the fan will continue to circulate the air.

When the environment humidity is lower than 35%, it will show "LO"

When the environment humidity is higher than 95%, it will show "HI"

Setting the fan speed

Push the FAN SPEED button to change the desired fan speed, the low speed LED [6] and high speed LED [7] will light accordingly.

When this unit is running in a room with a temperature between 5°C to 12°C, it will stop to defrost for every 30 minutes.

When this unit is running in a room with a temperature between 12°C to 20°C, it will stop to defrost for every 45 minutes.

MAINTENANCE

Always unplug the unit from the mains before carrying out any maintenance or cleaning the unit.

Cleaning the body

Use only a soft cloth to wipe the unit clean.

Do not use volatile chemicals, petrol, detergents, chemically treated cloths or other harmful cleansing solutions. These could all possibly damage the abs case.

Cleaning the washable air filter

This dehumidifier is equipped with a washable filter.

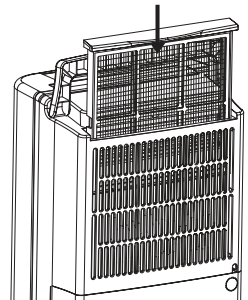
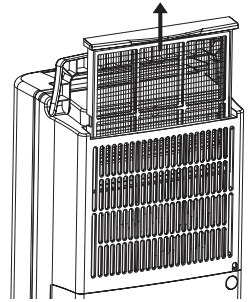
This will capture most airborne pollutants like dust, smoke, animal dander, mould spores and pollen to create a less irritating living environment.

It is advisable to check the filter on a regular basis (at least monthly and after storage) and clean as necessary:

- Extract the filter holder
- Use a vacuum cleaner or tap the filter lightly.

If the filter is particularly dirty, use luke-warm water with a small amount of medium strength detergent and rinse thoroughly under the cold water tap.

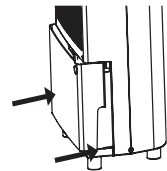
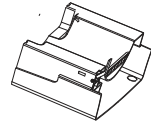
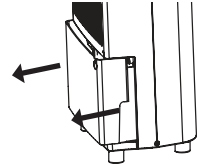
Make sure the filter is completely dry before replacing. Do not expose the filter to sunlight or other sources of direct heat as this may cause the filter and frame to warp.



EMPTYING THE WATER TANK

When the water tank is full, the unit will switch off automatically and beep 15 times, the LED [1] on the control panel will light up. The tank needs to be emptied:

- Lightly press on the sides of the tank with both hands and pull out gently.
- After discarding of the water, gently push the tank back into its place. The LED light will go off.



Warning:

1. Do not remove the float from the water tank, the Water full sensor will no longer be able to detect the water level correctly without the float and water may leak from the water tank.
2. If the drainage tank is dirty, wash it with cold or lukewarm water. Do not use detergent, scouring pads, chemically treated dust cloths, gasoline, benzene, thinner, or other solvents, as these can scratch and damage the tank and cause water leakage.
3. When replacing the drainage tank, press the tank firmly into place with both hands. If the tank is not positioned properly, the "TANK FULL" sensor will be activated, and the dehumidifier will not operate.

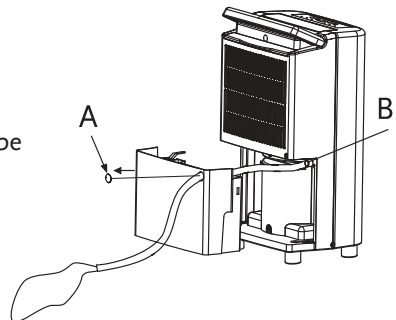
CONTINUOUS DRAINAGE

For the continuous drainage please refer to the following instructions and picture.

1. Switch off the unit and remove the plug from the electrical outlet.
2. Cut out the hole (move part A) for the drainage tube on the tank.
3. Push a drain tube (14mm outer diameter, 10mm inner diameter) through the hole, and connect to the continuous drainage port (part B).
4. Place the other end in a drain. Make sure the tube is free from twists and bends/

NOTED:

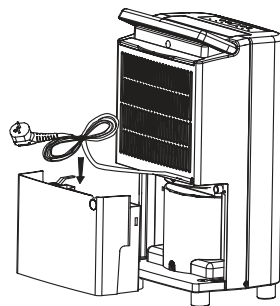
The water tank has to remain in place, even when using continuous drainage.



STORAGE

When the unit is not being used for long period of time and you want to store it, note the following steps:

1. Empty any water left in the water tank.
2. Fold up the power supply cord and put it in the water tank.
3. Clean the air filter.
4. Store in a cool and dry place.



TECHNICAL DATA

Model		PLDM 16E	PLDM 18E	PLDM 22E
Power Supply		220-240V / 50Hz		
Dehumidify Capacity (at 32°C, 90%RH)	L/24hr	16	18	22
Power Consumption	W	220	290	390
Refrigerant*		R134a		
Refrigerant loading	g	105	150	160
Water Tank Capacity	L	3.0 (automatic shutdown at 2.70 liters)		
Weight	kg	11.8	12.8	11.6
Dimensions (W x D x H)	mm	310 x 230 x 543		

Conform: EN60335-1, EN60335-2-40

Due to our continuous R&D programme, specifications may change without prior notice.

For current specifications please refer to the rating label on your machine.

* (EC) No 842/2006: R134a is a fluorinated greenhouse gas covered by the Kyoto Protocol. Its global warming potential (GWP) is 1300.

TROUBLE SHOOTING

**NEVER TRY TO REPAIR OR DISMANTLE THE UNIT YOURSELF.
BEFORE CALLING FOR ASSISTANCE PLEASE CHECK THE PONTS BELOW.**

Problem	Possible Cause	Solution
The unit doesn't operate	Has the power cord been disconnected?	Plug the power cord into the outlet.
	Is the tank full indication light blinking? (The tank is full or in a wrong position.)	Empty the water in the drainage tank and then reposition the tank.
	Is the temperature of the room above 35°C or below 5°C?	The protection device is activated and the unit cannot be started.
The dehumidifying function doesn't work	Is the air filter clogged?	Clean the air filter as instructed under "Cleaning the dehumidifier".
	Is the intake duct or discharge duct obstructed?	Remove the obstruction from the discharge duct or intake duct.
No air is discharged	Is the air filter clogged?	Clean the air filter as instructed under "Cleaning the dehumidifier".
Operation is noisy	Is the unit tilted or unsteady?	Move the unit on a stable, even surface.
	Is the air filter clogged?	Clean the air filter as instructed under "Cleaning the dehumidifier".

**Reminder:**

Electrical products must not be disposed of with household waste. This product should be taken to your local recycling centre for safe disposal.

AMCOR UK SUPPORT

Please, for your own convenience, make these simple checks before calling the service line.

1. Has the unit been standing upright? (for at least 2 hrs)
2. Is the unit plugged into the mains? Is the fuse OK?
 3. Switch the unit on and wait three minutes to see if the issue is resolved.
 4. Check whether the water tank is full.

If the unit still fails to operate call: 0871 620 1057 or fill the online form

Office hours: 9AM - 5PM Monday to Friday

www.amcoruk.com

Unit 2, The Nursery, Berristow Lane, South Normanton, Derbyshire, DE55 2FX